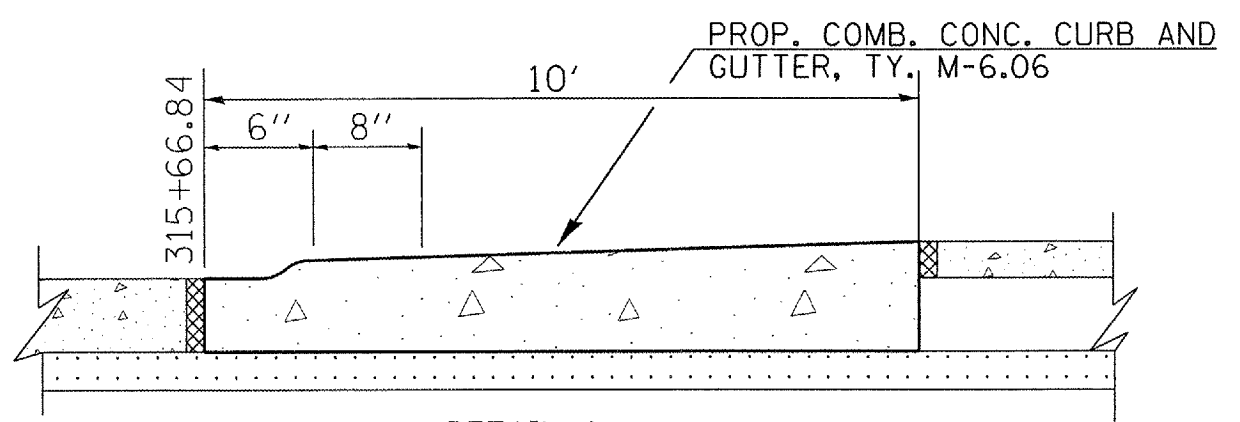


F.A.P. RTE.	SECTION	COUNTY	TOTAL SHEETS	SHEET NO.
..12..	..7..
STA.		TO STA.		
FED. ROAD DIST. NO. ...		ILLINOIS FED. AID PROJECT		

- VARIOUS
- D9 CONT MAINT FY 06-1
- VARIOUS

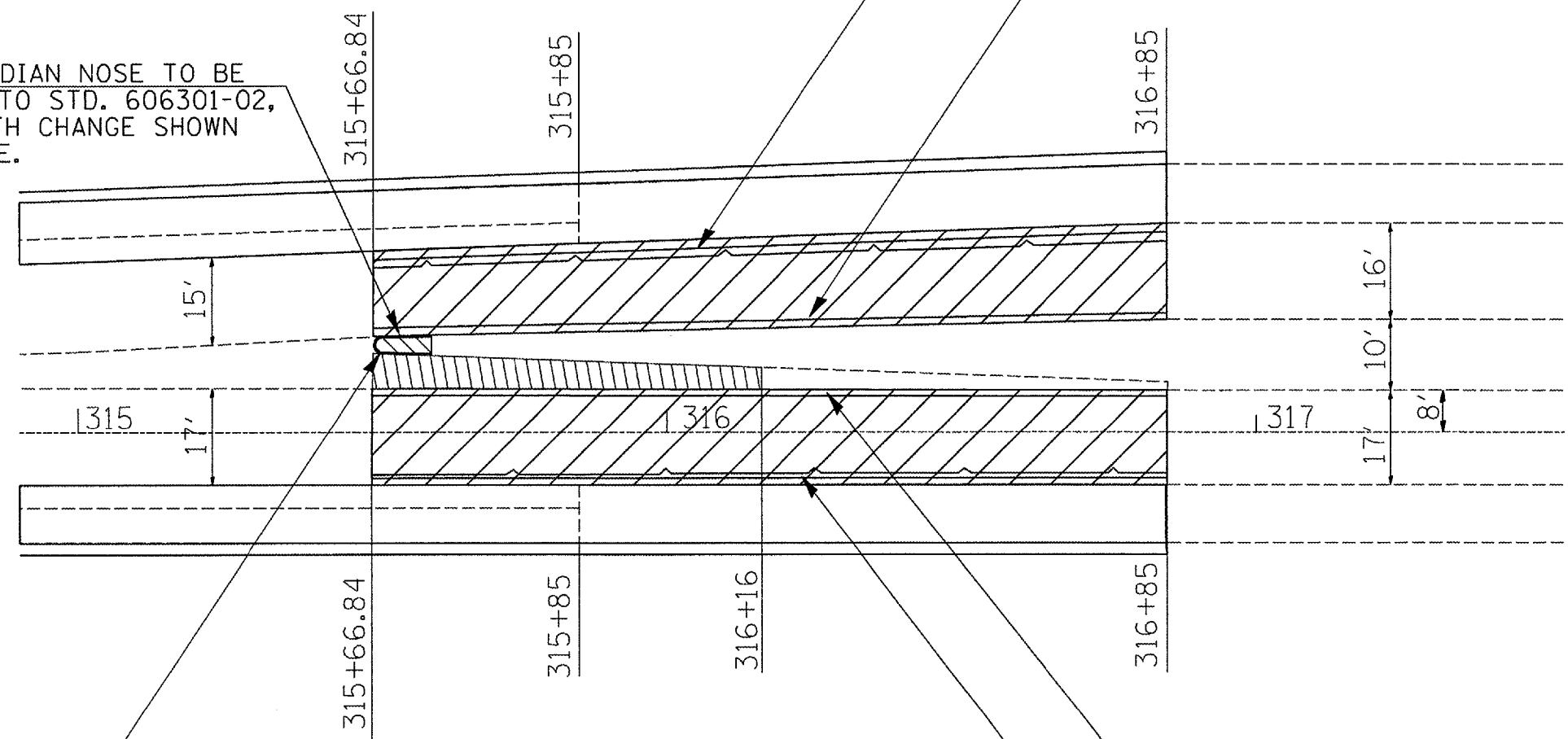


DETAIL A
TAPERED MEDIAN NOSE

PROP. POLYUREA PAVEMENT MARKING, TYPE I
LINE 4" (SOLID WHITE) 119 FT.
LT. STA. 315+66.84 - LT. STA. 316+85

PROP. POLYUREA PAVEMENT MARKING, TYPE I
LINE 4" (SOLID YELLOW) 119 FT.
LT. STA. 315+66.84 - LT. STA. 316+85

PROP. TAPERED MEDIAN NOSE TO BE
BUILT ACCORDING TO STD. 606301-02,
EXCEPT FOR LENGTH CHANGE SHOWN
IN DETAIL A ABOVE.



PROP. POLYUREA PAVEMENT MARKING, TYPE I
LINE 4" (SOLID YELLOW) 25 FT.
LT. STA. 315+66.84 - LT. STA. 315+77

PROP. POLYUREA PAVEMENT MARKING, TYPE I
LINE 4" (SOLID YELLOW) 119 FT.
LT. STA. 315+66.84 - LT. STA. 316+85

PROP. POLYUREA PAVEMENT MARKING, TYPE I
LINE 4" (SOLID WHITE) 119 FT.
RT. STA. 315+66.84 - RT. STA. 316+85

PLOT DATE = 7/7/2005
 FILE NAME = c:\p\proj\11\982785\982785pl1.dwg
 PLOT SCALE = 1/8" = 1'-0"
 USER NAME = mcorde