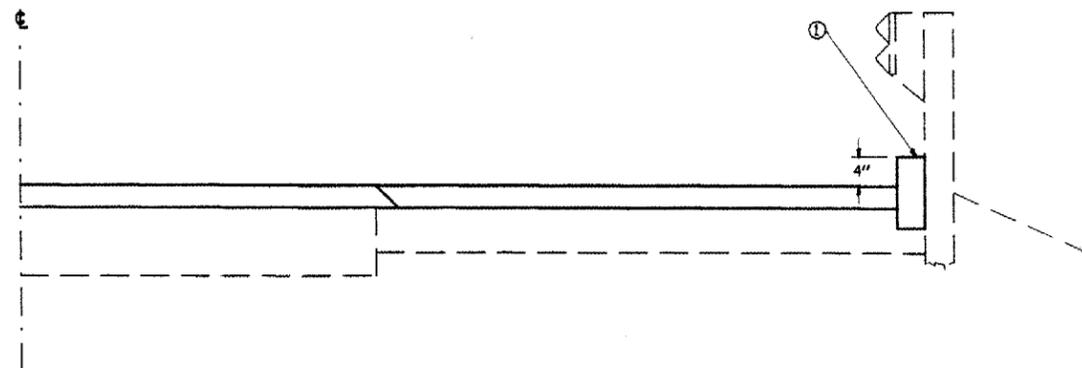


RTE	SECTION	COUNTY	TOTAL SHEETS	SHEET NO.
VAR	*	VARIOUS	14	5
STA.	TO STA.			
FILE NO. DESIG. NO.	CHANGE	FILE NO. PROJECT		

* D-9 CONT. MAINT. FY 06-5

TIMBER CURB DETAIL



SECTION A

① PROPOSED TIMBER CURB

GENERAL NOTES:

THE TIMBER CURB SHALL BE TREATED IN ACCORDANCE WITH ARTICLE 1007.12 OF THE STANDARD SPECIFICATIONS AND SATISFY THE CATEGORY FOR SIGN POSTS - SAWN FOUR SIDES.

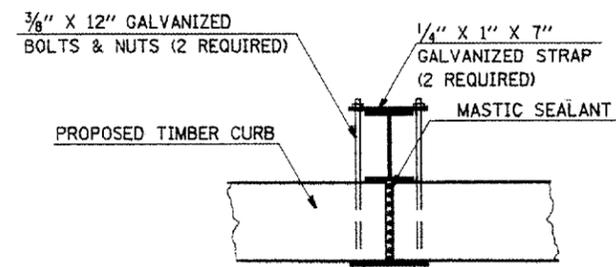
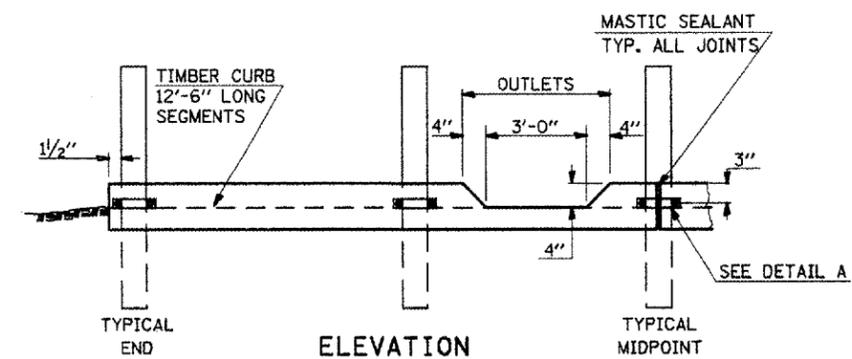
THE TIMBER CURB SHALL BE 4 INCH X 12 INCH (NOMINAL DIMENSIONS.)

THE GALVANIZED STRAP, BOLTS, AND NUTS SHALL NOT BE PAID FOR SEPARATELY BUT SHALL BE INCLUDED IN THE COST OF THE TIMBER CURB.

ALL CUTS, ABRASIONS AND HOLES MADE AFTER TREATMENT TO THE TIMBER CURB SHALL BE REPAIRED IN ACCORDANCE WITH ARTICLE 1007.12 OF THE STANDARD SPECIFICATIONS.

ALL TIMBER SPLICES SHALL BE MADE AT GUARDRAIL POSTS, SEE DETAIL A AND ELEVATION THIS SHEET.

OUTLET LOCATIONS WILL BE AS DIRECTED BY THE ENGINEER.



DETAIL A