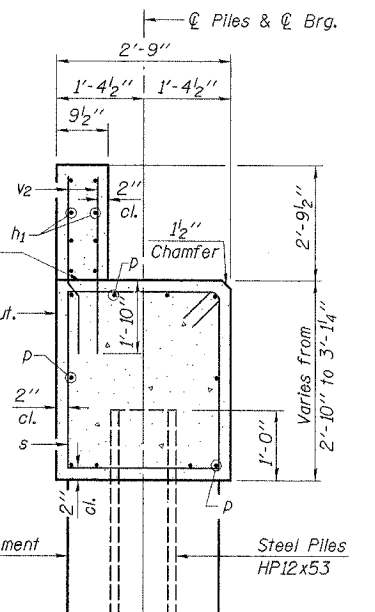
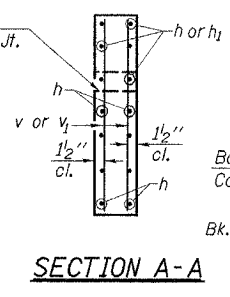
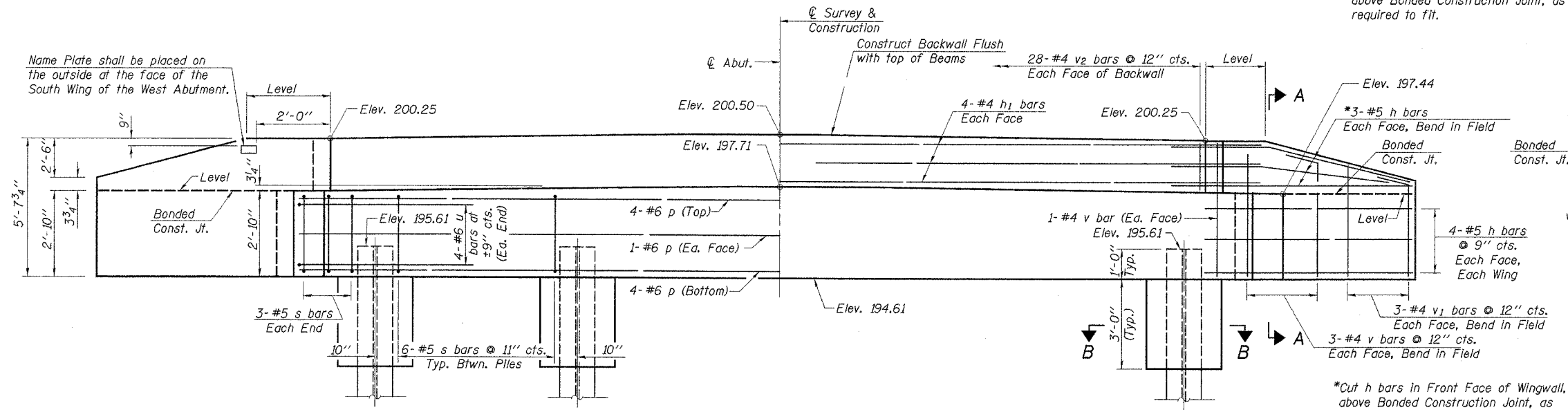


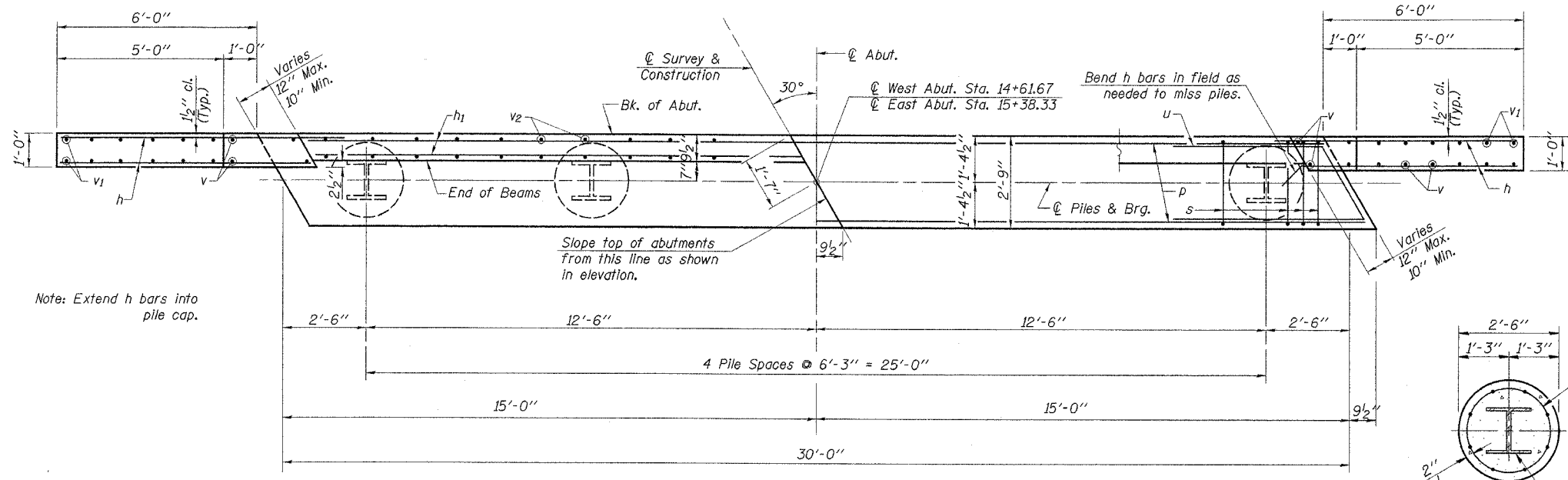
Name Plate shall be placed on the outside at the face of the South Wing of the West Abutment.

\*Cut h bars in Front Face of Wingwall, above Bonded Construction Joint, as required to fit.

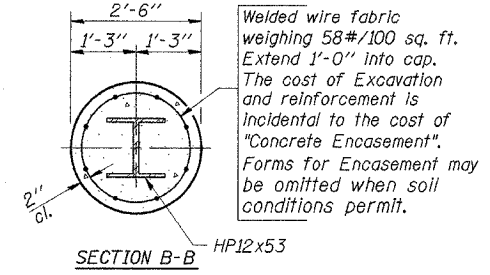


Note: After beams are in place and dowel rods grouted, the backwall and the portions of the wingwalls above the Bonded Construction Joint shall be poured.

ELEVATION



Note: Extend h bars into pile cap.



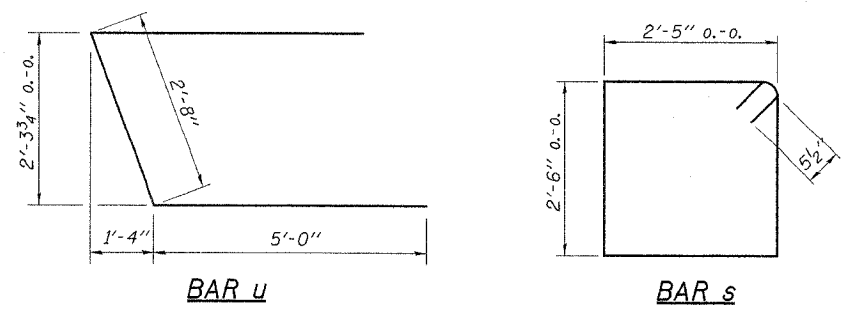
2 ABUTMENTS  
BILL OF MATERIAL

Bar	No.	Size	Length	Shape
h	56	#5	7'-6"	—
h <sub>1</sub>	16	#4	30'-0"	—
p	20	#6	29'-8"	—
s	60	#5	10'-9"	□
u	16	#6	12'-8"	—
v	32	#4	5'-4"	—
v <sub>1</sub>	24	#4	4'-0"	—
v <sub>2</sub>	112	#4	4'-6"	—
Concrete Structures			Cu. Yd.	27.2
Reinforcement Bars			Pound	3140
Name Plates			Each	1
Test Pile HP12x53			Each	2
Steel Piles HP12x53			Foot	280
Concrete Encasement			Cu. Yd.	5.5

PILE DATA

Type..... Steel Piles HP12x53  
 No. Req'd. (2 Abuts.)..... \*10  
 Design Capacity..... 46 Tons/Pile  
 Driven Capacity..... 69 Tons/Pile  
 Est. Length..... 35 Feet/Pile  
 Drive Test Pile to..... 104 Tons  
 \*Includes 1 Test Pile to be driven in a permanent location at each Abutment.

DESIGNED	F.J.S.
CHECKED	S.F.M.
DRAWN	K.T.R. & S.A.P.
CHECKED	F.J.S.



ABUTMENTS  
SECTION 03-01123-00-BR  
ASH GROVE ROAD DISTRICT  
SHELBY COUNTY  
STATION 15+00