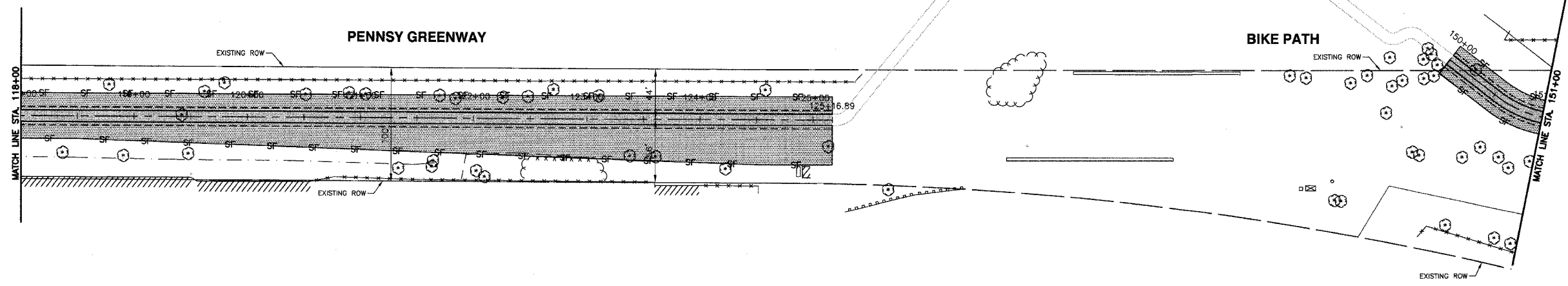
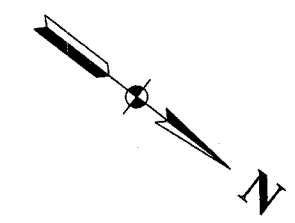


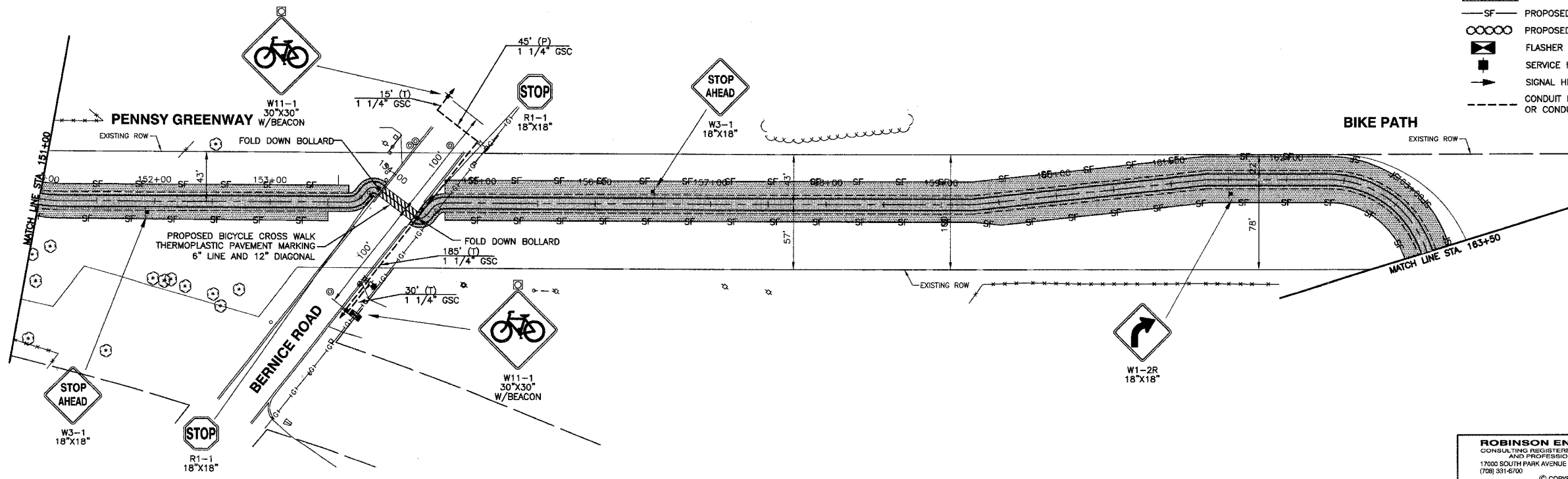
FED. RTE.	SECTION	COUNTY	TOTAL SHEETS	SHEET NO.
	03-P4045-01-BT	COOK	080	021
STA.		TO STA.		
FED. ROAD DIST. NO.	ILLINOIS	FED. AID PROJECT		

**CONTRACT NO. 83811**



**LEGEND**

- PROPOSED EROSION CONTROL BLANKET
- PROPOSED PERIMETER EROSION BARRIER
- PROPOSED HEDGE LINE
- FLASHER CONTROLLER
- SERVICE INSTALLATION, POLE MOUNTED
- SIGNAL HEAD BEACON
- CONDUIT IN TRENCH, 1 1/4" DIA. GALVANIZED STEEL (T)  
OR CONDUIT PUSHED, 1 1/4" DIA. GALVANIZED STEEL (P)



<b>ROBINSON ENGINEERING, LTD.</b> CONSULTING REGISTERED PROFESSIONAL ENGINEERS AND PROFESSIONAL LAND SURVEYORS 17055 SOUTH PARK AVENUE SOUTH HOLLAND, ILLINOIS 60470 (708) 331-6700		<b>REVISIONS</b>	
© COPYRIGHT 2005 ILLINOIS DESIGN FIRM REGISTRATION NO. 184001128		No.	Date
<b>SIGNAGE AND EROSION CONTROL PLAN</b> PENNSY GREENWAY BIKE PATH STA. 118+00 TO STA. 163+50			Remarks
<b>LANSING, ILLINOIS</b>			
Drawn by: LTL	Date: 7/22/05		
Checked by: JN/JCP	Scale: 1"=50'		
Sheet 021 of 080	Project No. 03-365.02		