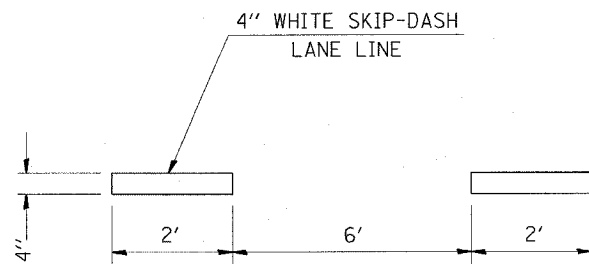


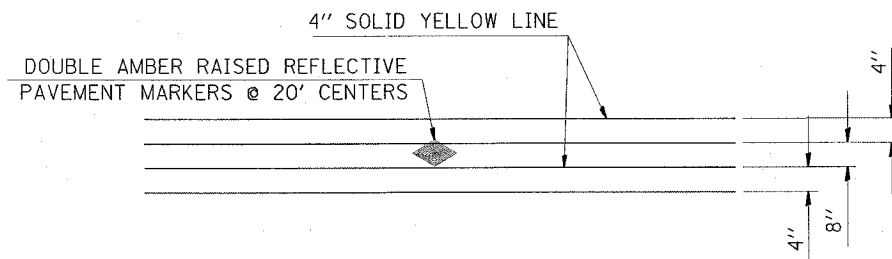
FAI ROUTE	SECTION	COUNTY	TOTAL SHEETS	SHEET NO.
64	82-6K-1	ST. CLAIR	188	107

CONTRACT NO.: 76815

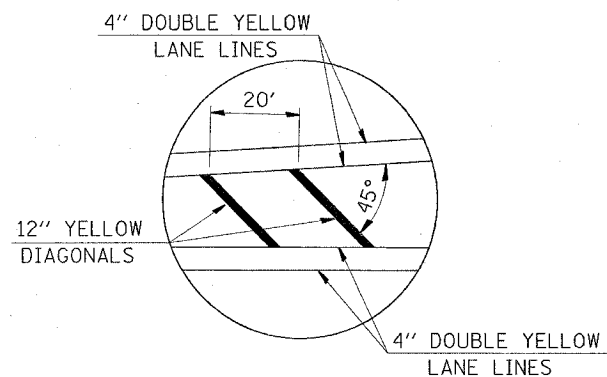
PLAN	SURVEYED	DATE
	PLOTTED	
	NOTED	
	BY	
	NO. OF CHECKS	
	ADD. FILE NAME	



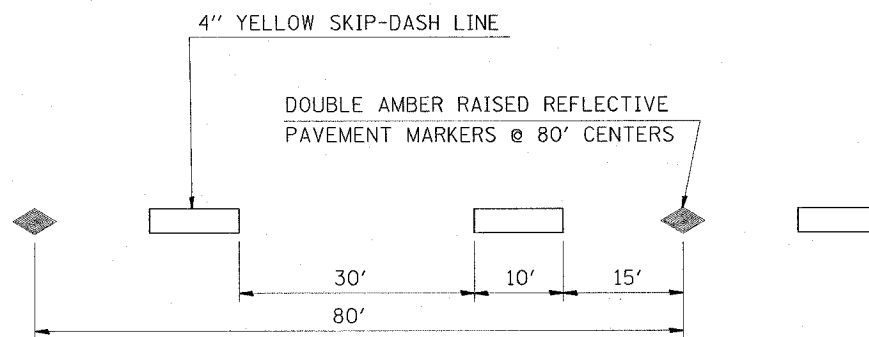
ABBREVIATED SKIP-DASH



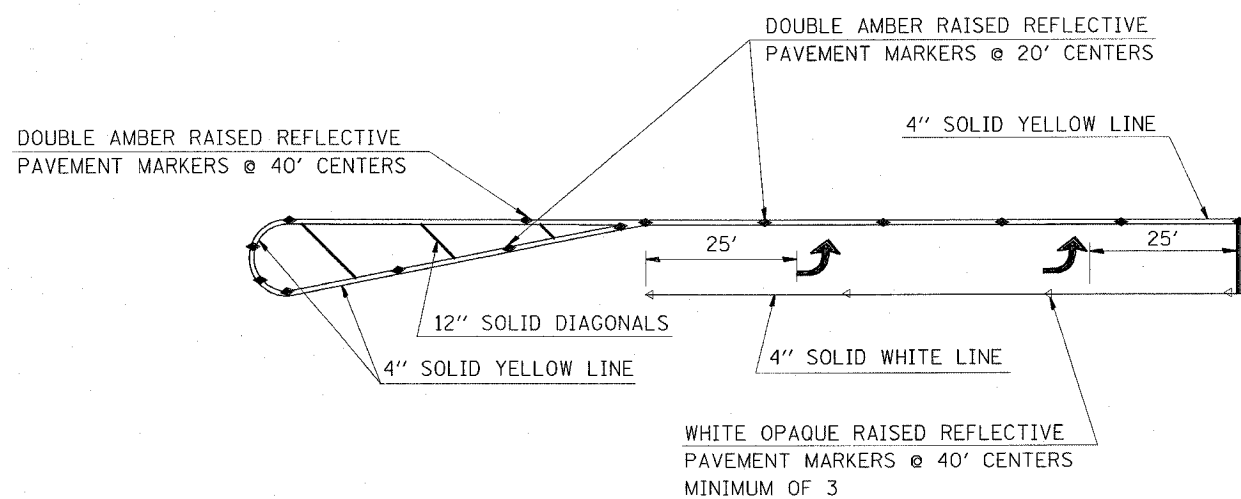
TYPICAL DOUBLE YELLOW LINES WITH RRPMS



TYPICAL MEDIAN PAVEMENT MARKING



TYPICAL YELLOW SKIP-DASH LINE WITH RRPMS



TYPICAL LEFT TURN LANE

REVISIONS	
NAME	DATE

ILLINOIS DEPARTMENT OF TRANSPORTATION

MISCELLANEOUS DETAILS

FAI ROUTE 64
SECTION 82-6K-1
ST. CLAIR COUNTY

DRAWN BY:

PLOT DATE: 12/1/2005

DATE: 7/1/2005
C:\pro\jcs\wed8584\p\lan\p108080a.dgn
REF