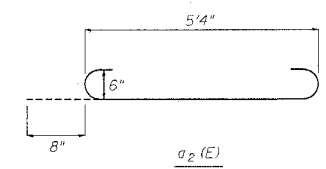
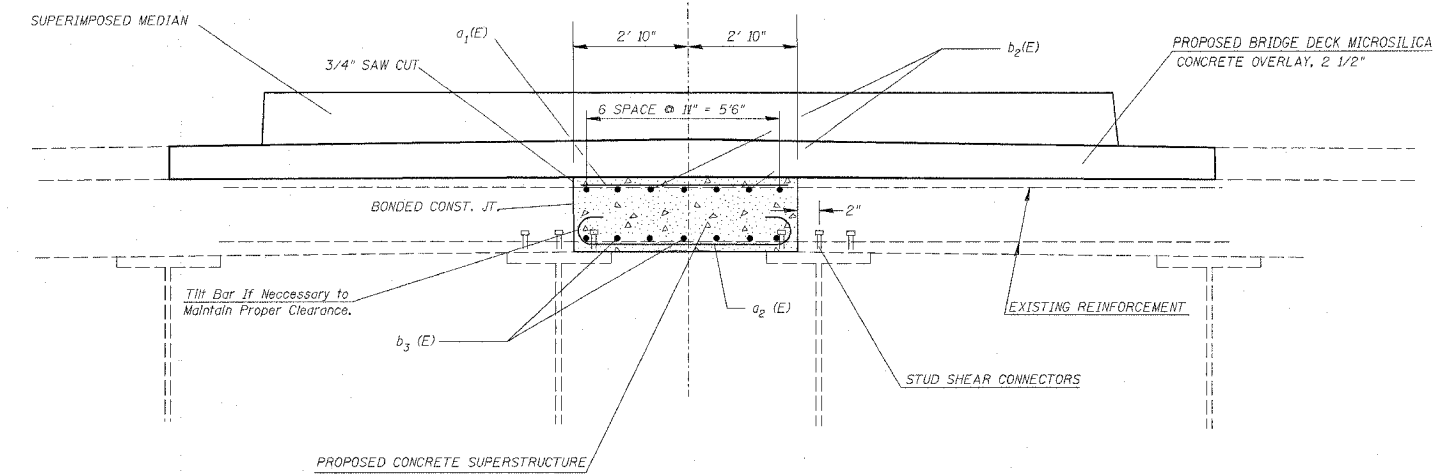


FAI ROUTE	SECTION	COUNTY	TOTAL SHEETS	SHEET NO
64	82-6K-1	ST. CLAIR	188	103
CONTRACT NO.: 76815				

SHEET NO 6 OF 9

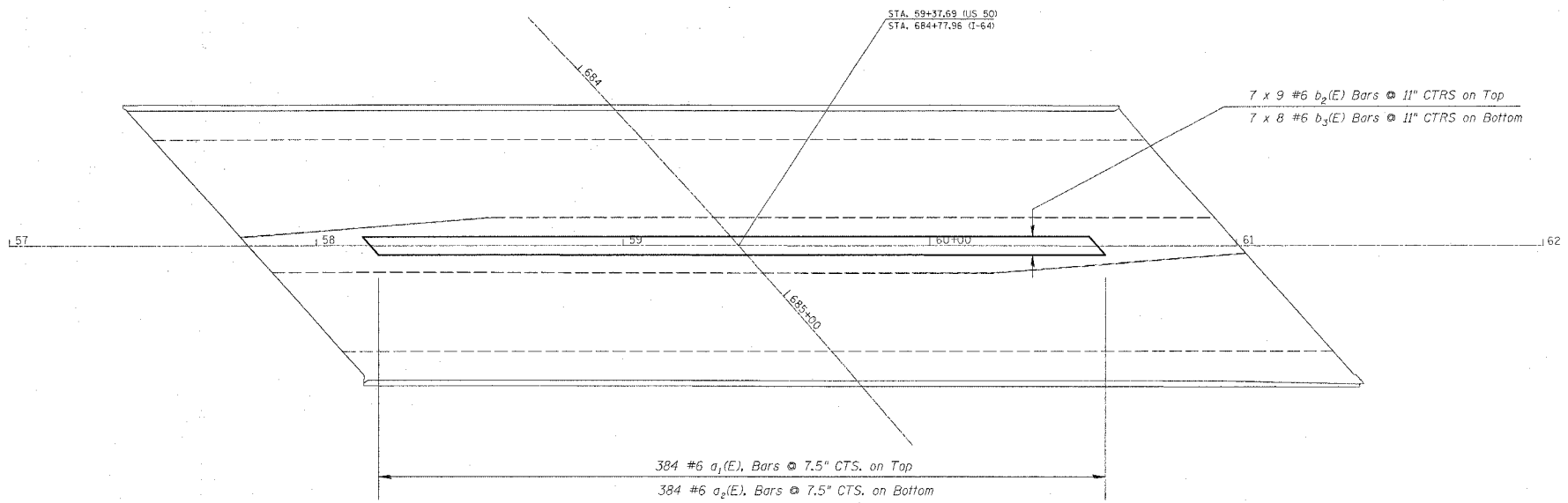


BAR LIST				
TYPE	No.	SIZE	LENGTH	SHAPE
a <sub>1</sub> (E)	384	#6	5' 4"	—
a <sub>2</sub> (E)	364	#6	6' 8"	⌒
b <sub>2</sub> (E)	63	#6	29' 0"	—
b <sub>3</sub> (E)	56	#6	32' 0"	—

**RECONSTRUCTED LONGITUDINAL JOINT  
(OVER COMPOSITE BEAMS)**

**BILL OF MATERIALS (MAIN SPAN LONG. JOINT REMOVAL)**

ITEM	UNIT	QUANTITY
CONCRETE REMOVAL	CY	32
CONCRETE SUPERSTRUCTURE	CY	32
REINFORCEMENT BARS, EPOXY COATED	LBS	12,360



MIN. BAR LAP  
 #5 bars = 1'-8"  
 #6 bars = 2'-0"

Bars designated (E) shal be Epoxy Coated.  
 Bars designated 14 x 2 #5 bars indicates 14 Lines of bars with 2 lengths per line.

6/20/15  
 7/1/2015  
 on: br: objects: ved: 8/29/15: gal: br: rd: g: ap: rd: g: n

REVISIONS	
NAME	DATE

ILLINOIS DEPARTMENT OF TRANSPORTATION  
**STRUCTURE REPAIR DETAILS**  
 LONGITUDINAL JOINT RECONSTRUCTION  
 SN 082-0179  
 FAI ROUTE 64  
 SECTION 82-6K-1  
 ST. CLAIR COUNTY  
 DRAWN BY:

PLOT DATE: 7/1/2005