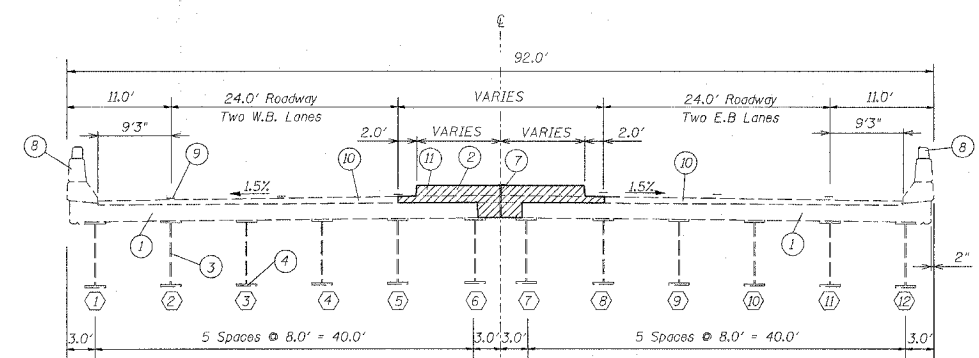
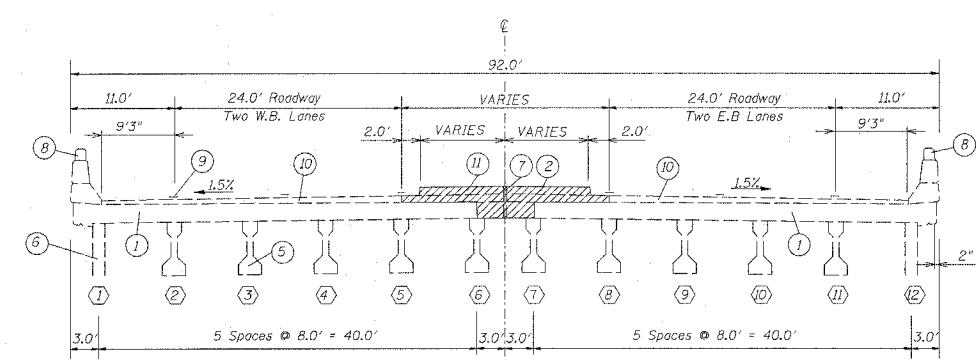


| FAI ROUTE          | SECTION | COUNTY    | TOTAL SHEETS | SHEET NO. |
|--------------------|---------|-----------|--------------|-----------|
| 64                 | 82-6K-1 | ST. CLAIR | 188          | 101       |
| CONTRACT NO. 76815 |         |           |              |           |

SHEET NO 4 OF 9

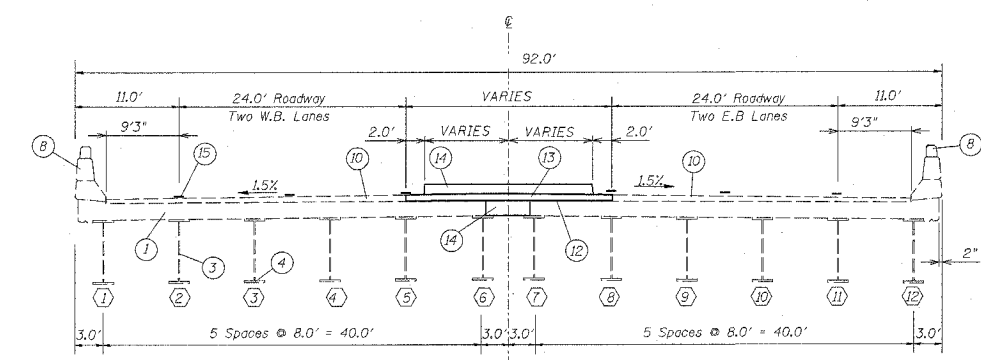


**EXISTING BRIDGE TYPICAL**  
STA. 58+17.60 TO STA. 60+54.60

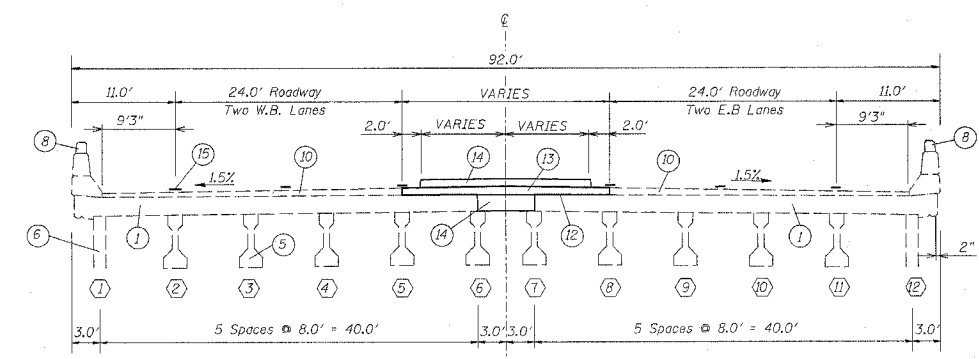


**EXISTING BRIDGE TYPICAL**  
STA. 57+77.66 TO STA. 58+17.60  
STA. 60+54.60 TO STA. 61+01.64

NOTE: HATCHED AREA INDICATES CONCRETE REMOVAL.



**PROPOSED BRIDGE TYPICAL**  
STA. 58+17.60 TO STA. 60+54.60



**PROPOSED BRIDGE TYPICAL**  
STA. 57+77.66 TO STA. 58+17.60  
STA. 60+54.60 TO STA. 61+01.64

- LEGEND**
- BRIDGE**
- ① Existing Reinforced Deck, 7 5/8"
  - ② Existing Reinforced Concrete Median
  - ③ Existing Beam Web
  - ④ Existing Beam Flange
  - ⑤ Existing PCC I-Beams
  - ⑥ Existing Concrete Curtain Wall
  - ⑦ Existing Longitudinal Expansion Joint
  - ⑧ Existing Concrete Parapet
  - ⑨ Existing Pavement Marking
  - ⑩ Existing Microsilica Overlay, 2 3/8"
  - ⑪ Proposed Concrete Removal
  - ⑫ Proposed Concrete Bridge Deck Hydro-Scarification, 1/2"
  - ⑬ Proposed Bridge Deck Microsilica Concrete Overlay, 2 1/2"
  - ⑭ Proposed Concrete Superstructure
  - ⑮ Proposed Polyurea Pavement Marking

ALL DIMENSIONS ARE IN mm UNLESS DESIGNATED OTHERWISE

| REVISIONS |      |
|-----------|------|
| NAME      | DATE |
|           |      |
|           |      |
|           |      |
|           |      |
|           |      |

ILLINOIS DEPARTMENT OF TRANSPORTATION  
**STRUCTURE REPAIR DETAILS**  
TYPICAL SECTIONS (STRUCTURES)  
SN 082-0179

FAI ROUTE 64  
SECTION 82-6K-1  
ST. CLAIR COUNTY

DRAWN BY:

PLOT DATE: 7/1/2005

14801764.dwg  
 7/1/2005  
 c:\p\projects\w268984\plan\br\bridge-repair.dwg  
 PREP-  
 PREP-