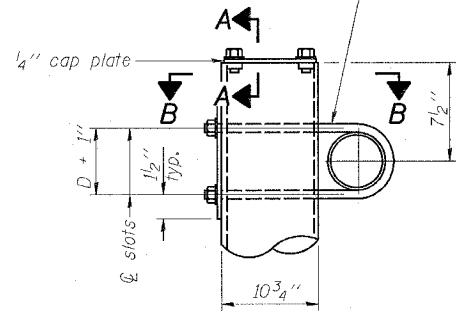


STATE OF ILLINOIS
DEPARTMENT OF TRANSPORTATION

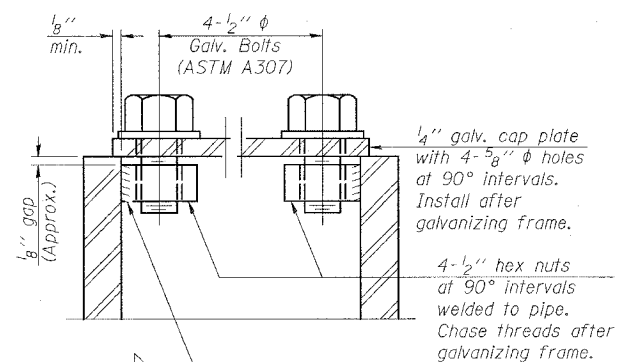
ROUTE NO.	SECTION	COUNTY	SHEET NO.	SHEET NO.
FAI 64	82-6K-1	ST. CLAIR	188	92
FED. ROAD DIST. NO. 7	ILLINOIS	FED. AID PROJECT		

Contract # 76815

3/4" φ stainless steel U-bolt.
Provide two washers and two hexagon locknuts. (4)
1 5/16" x 2" slots on 10" φ pipe.
(4 slots required per pipe)

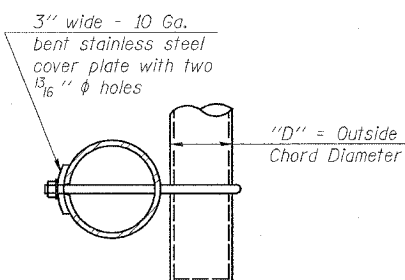


DETAIL A

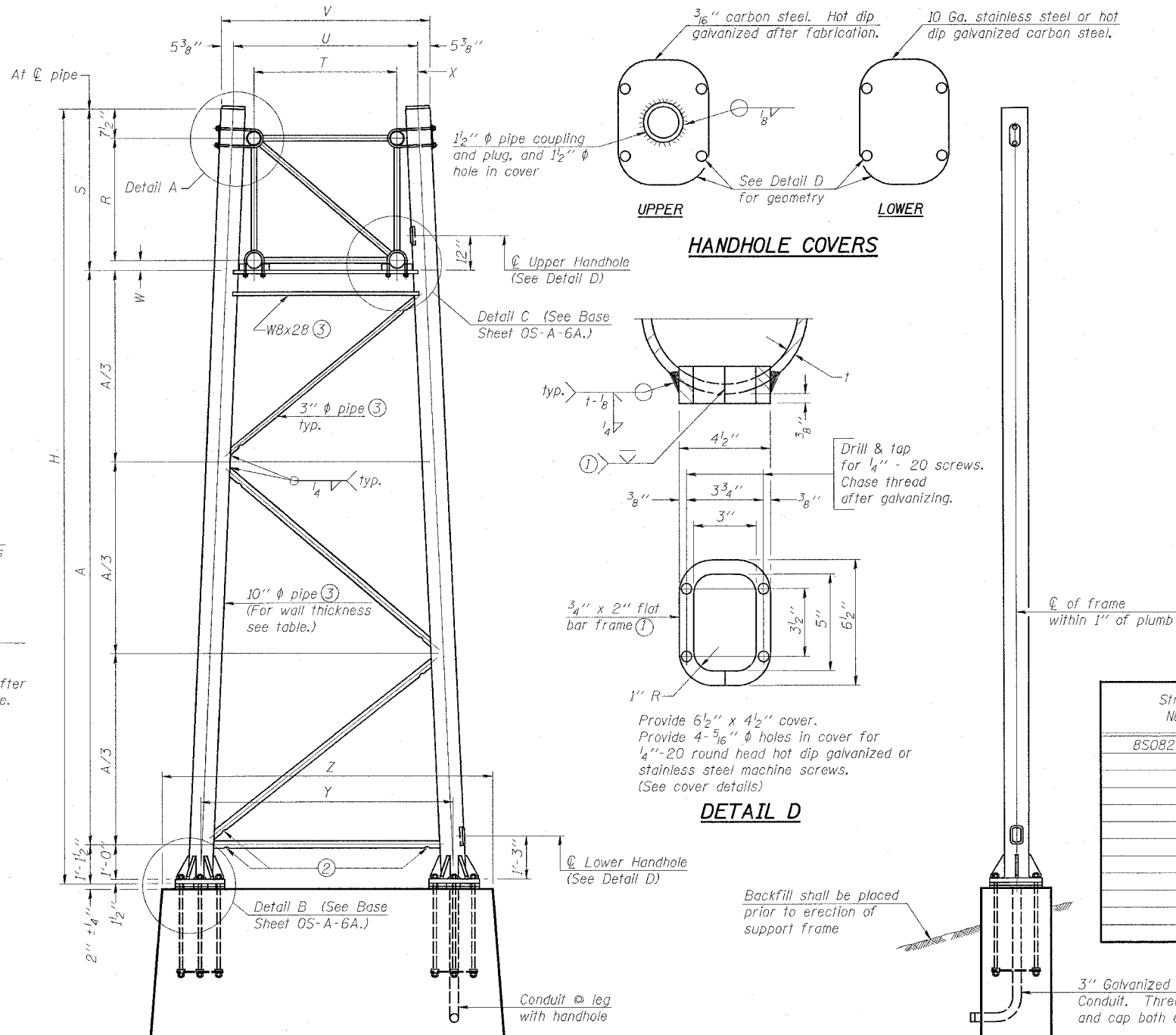


SECTION A-A

As an alternate to bolts, may use galvanized drive-fit caps installed after galvanizing frame.



SECTION B-B



For Foundation Details, see base sheet OS-F3 (Spread Footing) or OS4-F3 (Drilled Shaft).

SIDE ELEVATION

END ELEVATION

10" φ PIPE TRUSS SUPPORT FRAME

Truss Type	Dimensions									
	R	S	T	U	V	W	X	Y	Z	
I-A	4'-6"	5'-5 1/2"	4'-0"	5'-6"	6'-4 3/4"	4"	9"	8'-3"	10'-9"	
II-A (5)	5'-3"	6'-3 1/4"	4'-6"	6'-1"	6'-11 3/4"	4 3/4"	9 1/2"	8'-3"	10'-9"	

Support Design Loads: See Base Sheet OS-A-1 for design and loading criteria.
Load combinations checked include deadload plus:
a) 100% wind normal to sign, 20% parallel to sign
b) 60% wind normal to sign, 30% parallel to sign

- In lieu of fabricated handhole frame as shown, may cut from 2" plate (rolling direction vertical). All cut faces to be ground to ANSI Roughness of 500 min or less.
- Galvanizing vent holes of adequate size shall be provided on underside at each end of bracing pipes. Alternately, holes may be provided in wall of pipe column. All vent holes shall be drilled and de-burred, typ.
- Steel pipe, plate, carbon steel handhole covers and rolled sections shall be hot dip galvanized after fabrication. Painting is not permitted. See Base Sheet OS-A-1.
- See General Notes for fasteners.
- Dimensions shown are based on selection criteria in the Sign Structures Manual. Nonstandard applications must have dimensions verified or amended as appropriate.

Structure Number	Station	Support		Truss Type	Pipe Wall Thickness	H	A
		Left	Right				
BS0821064R014.1	13+50	X		II A	0.365	30'	22'-7 1/4"
	13+50		X	II A	0.365	30'	22'-7 1/4"

OVERHEAD SIGN STRUCTURES
SUPPORT FRAME for ALUMINUM TRUSS

FAI ROUTE 64
SECTION 82-6K-1
ST. CLAIR COUNTY

DESIGNED	200
CHECKED	EXAMINED
DRAWN	PASSED
CHECKED	ENGINEER OF BRIDGES AND STRUCTURES

OS-A-6

1-7-05

NUMBER	REVISION	DATE