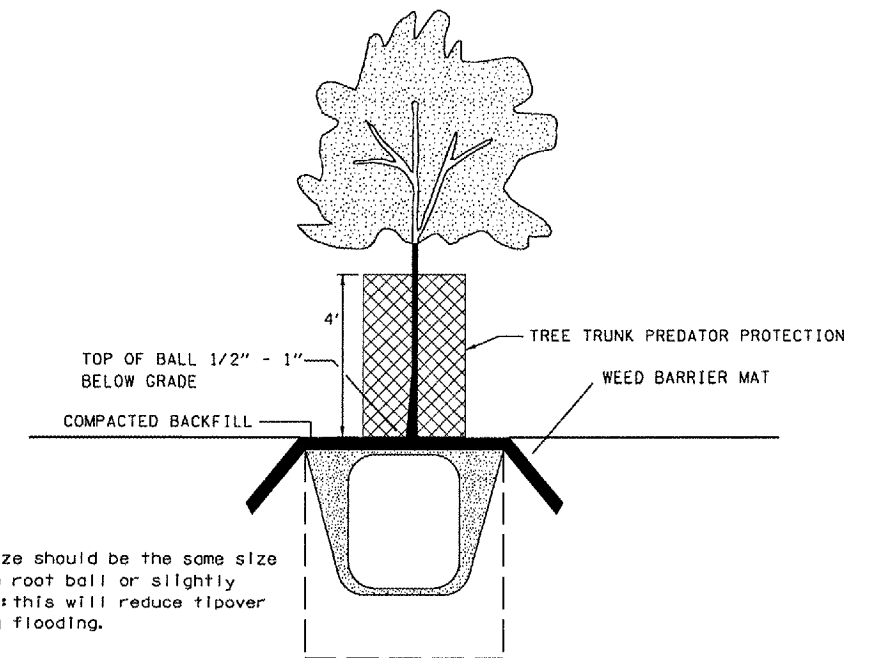


F.A.P. RTE.	SECTION	COUNTY	TOTAL SHEETS	SHEET NO.
*	**	BROWN	10	4
STA.		TO STA.		
FED. ROAD DIST. NO.		ILLINOIS FED. AID PROJECT		
* LAGRANGE WETLAND BANK ** D-6 WETLAND MITIGATION NO. 2				

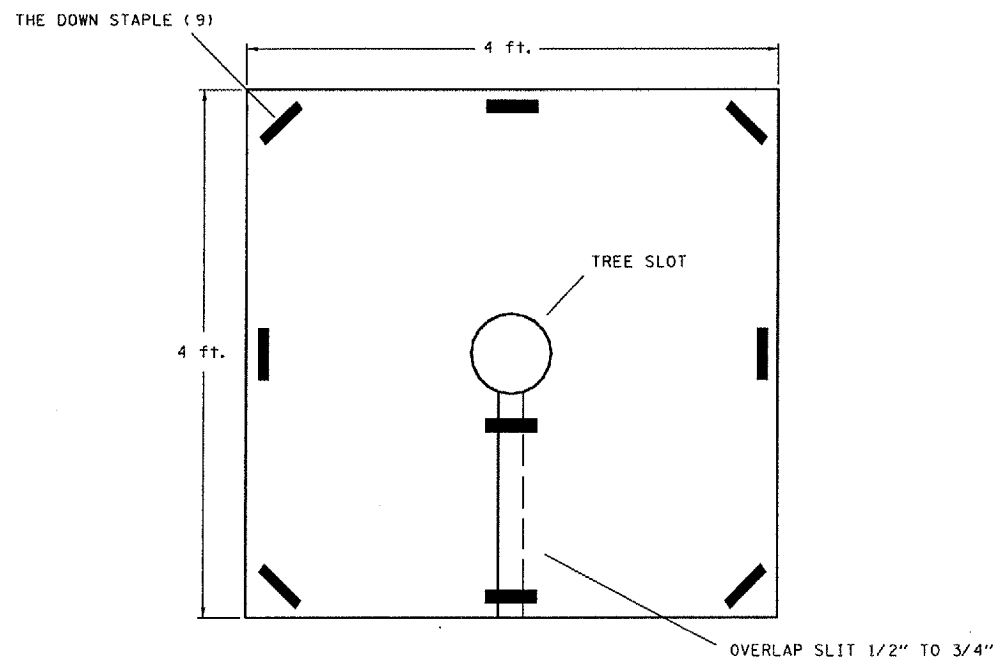
MOWING SCHEDULE			
LOCATION	MOWING	MAINTENANCE MOWING	INTER SEEDING
	(ACRE)	(ACRE)	CL 2 SPL (ACRE)
FIELD # 4	17.13	102.78	17.13
FIELD # 7	23.59	141.54	23.59
TOTAL =	40.7	244.4	40.7

TREE PLANTING SCHEDULE						
ITEM				LOCATION		TOTAL (EACH)
				FIELD 4 (EACH)	FIELD 7 (EACH)	
TREE, CARYA CORDIFORMIS (BITTERNUT HICKORY), CONTAINER GROWN, 3-GALLON				308	425	733
TREE, QUERCUS BICOLOR (SWAMP WHITE OAK), CONTAINER GROWN, 3-GALLON				308	425	733
TREE, CARYA ILINOENSIS (PECAN), CONTAINER GROWN, 3-GALLON				308	425	733
TREE, QUERCUS PALUSTRIS (PIN OAK), CONTAINER GROWN, 3-GALLON				308	425	733

TYPICAL CONTAINER TREE PLANNING PLAN



TYPICAL WEED BARRIER MAT PLAN



REVISIONS		ILLINOIS DEPARTMENT OF TRANSPORTATION
NAME	DATE	
		SCHEDULE OF QUANTITIES

SCALE: VERT. _____
 HORIZ. _____
 DATE _____

DRAWN BY BDK
 CHECKED BY _____