

F.A.I. RTE.	SECTION	COUNTY	TOTAL SHEETS	SHEET NO.
55	132-1J	GRUNDY	4	2
FED. ROAD DIST. NO. - ILLINOIS		FED. AID PROJECT		

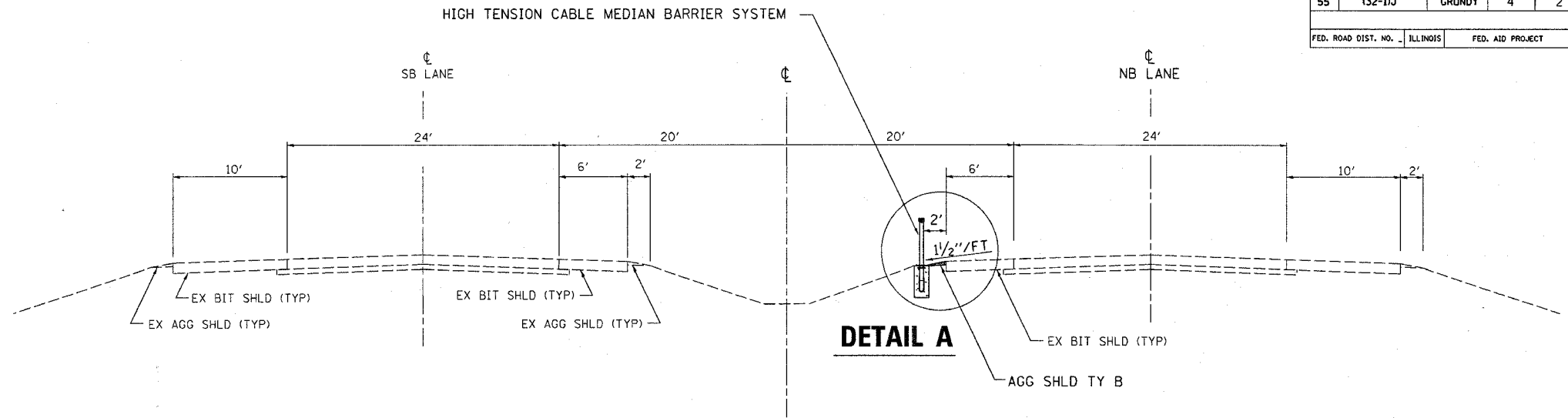
**GENERAL NOTES**

THE ENGINEER WILL BE THE SOLE JUDGE CONCERNING CURING TIME FOR THE VARIOUS BITUMINOUS LIFTS.

ABANDONED UNDERGROUND UTILITIES THAT CONFLICT WITH CONSTRUCTION SHALL BE DISPOSED OF OUTSIDE THE LIMITS OF THE RIGHT OF WAY ACCORDING TO ARTICLE 202.03 OF THE STANDARD SPECIFICATIONS AND AS DIRECTED BY THE ENGINEER. THIS WORK WILL NOT BE PAID FOR SEPARATELY BUT SHALL BE INCLUDED IN THE COST OF EARTH EXCAVATION.

ANY REFERENCE TO A STANDARD IN THESE PLANS SHALL BE INTERPRETED TO MEAN THE EDITION AS INDICATED BY THE SUBNUMBER LISTED ON THE INDEX OF SHEETS OR THE COPY OF THE STANDARD INCLUDED IN THESE PLANS.

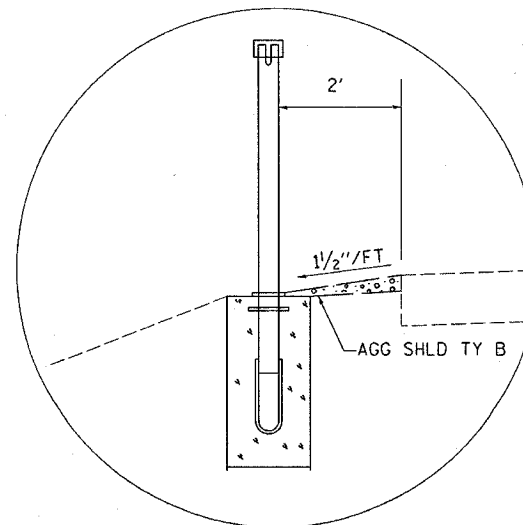
CONTRACTOR SHALL MAKE THE NECESSARY ADJUSTMENTS TO POST SPACING TO AVOID DAMAGE TO EXISTING UNDERDRAIN OUTLETS WITHIN PROJECT LIMITS, WHILE NOT EXCEEDING MAXIMUM POST SPACING.



MM POSTS 227.7 TO 233.1  
 OMIT SN 032-0005 & 032-0007 & 3 MAINTENANCE CROSSEOVERS  
 SEE SCHEDULE

NB SHOWN - 2 SB LOCATIONS SIMILAR - SEE  
 DETAIL & SCHEDULE FOR SB LOCATIONS

**TYPICAL SECTION  
 FAI 55**



**DETAIL A**

STATE OF ILLINOIS  
 DEPARTMENT OF TRANSPORTATION  
 DISTRICT THREE

PREPARED BY: Steven B. Andrews  
 ACTING DISTRICT STUDIES & PLANS ENGINEER

DATE: JUNE 30, 2005

EXAMINED BY: Alvin J. [Signature]  
 DISTRICT CONSTRUCTION ENGINEER

Kenneth R. Lane, Jr.  
 DISTRICT MATERIALS ENGINEER

Bruce A. Harker  
 DISTRICT OPERATIONS ENGINEER

REVISIONS	
NAME	DATE

ILLINOIS DEPARTMENT OF TRANSPORTATION  
**GENERAL NOTES  
 &  
 TYPICAL SECTION**