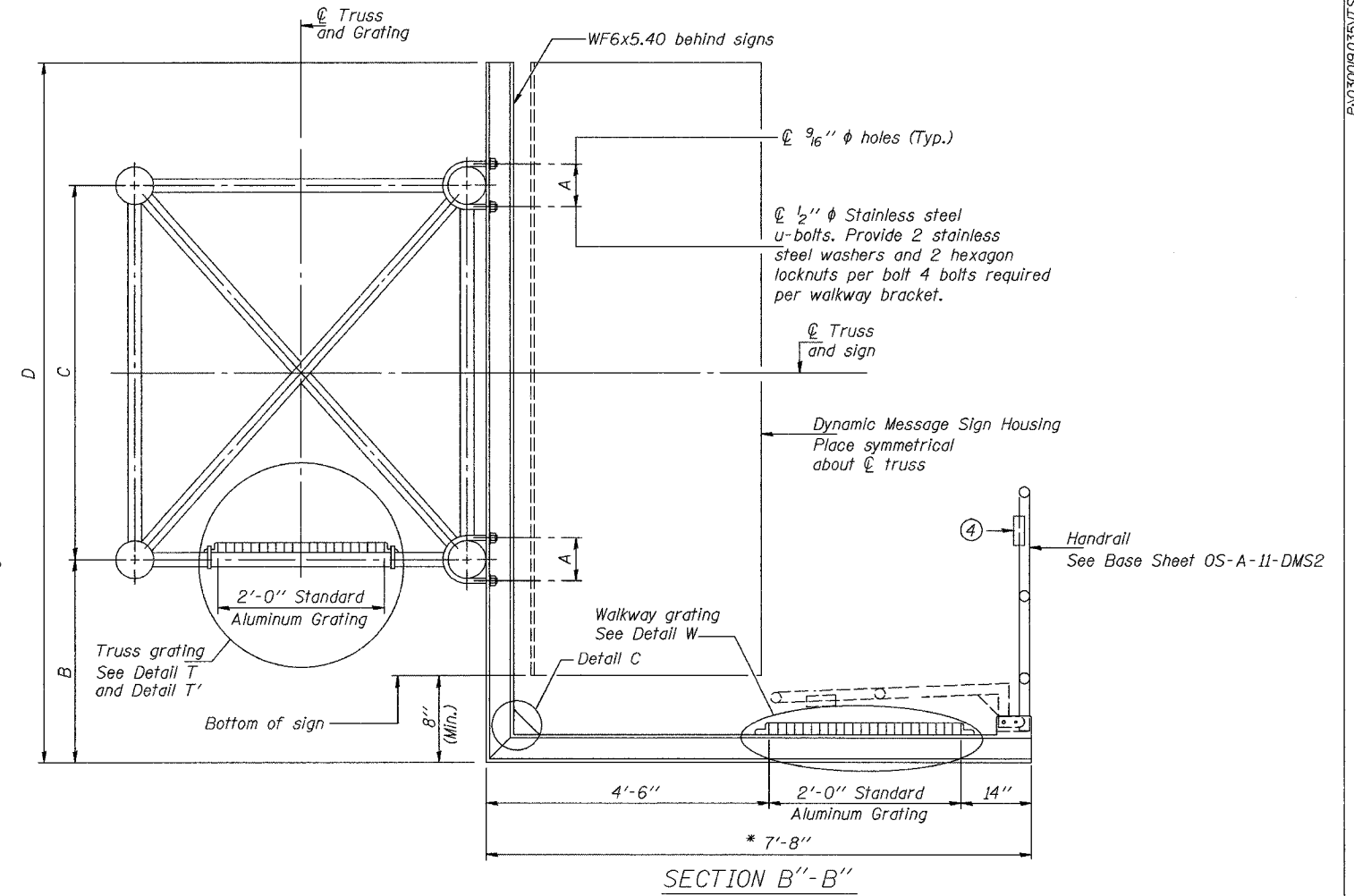
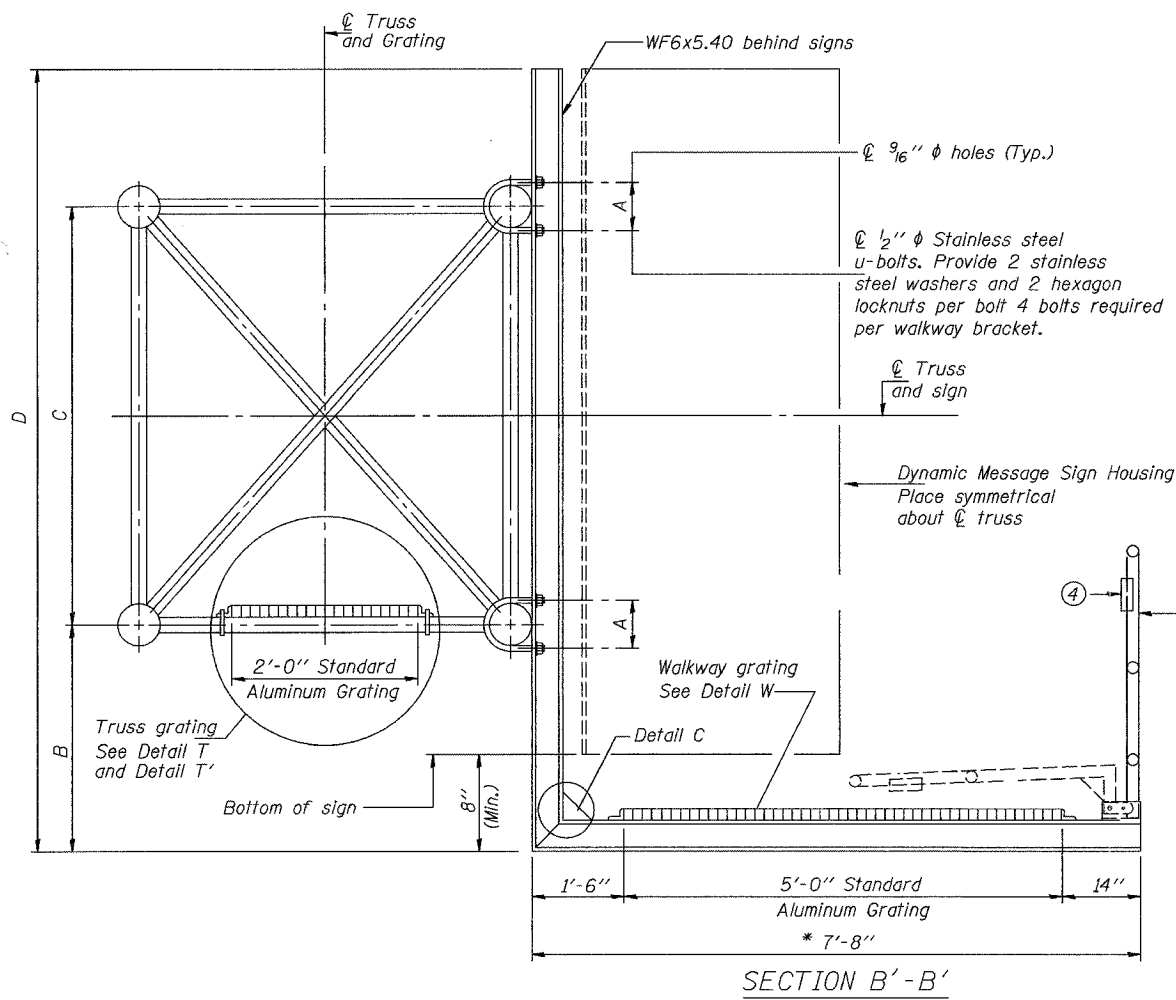


STATE OF ILLINOIS
DEPARTMENT OF TRANSPORTATION

ROUTE NO.	SECTION	COUNTY	TOTAL SHEETS	SHEET NO.
90/94	*	COOK	16	7

* 2005-0201

62947



* Bracket and grating dimensions are nominal and will vary based on actual DMS cabinet dimensions plus manufacturer's mounting devices, and providing clearance between the lowered handrail and DMS cabinet.

Note:
For dimensions "A" to "D" and remaining details, see sheet OS-A-10-DMS2

NUMBER	REVISION	DATE

DESIGNED	19
CHECKED	EXAMINED
DRAWN	PASSED
CHECKED	ENGINEER OF BRIDGES AND STRUCTURES

OS-A-10a-DMS2 7/1/2001

OVERHEAD SIGN STRUCTURES
ALTERNATE ALUMINUM WALKWAY DETAILS

F.A.I. 90/94 (DAN RYAN EXPRESSWAY)
31st Street to 71st Street

F:\030009\0305\VT\SCADD\Contract 62947\ss\9009A2a.dwg

07/06/2005 12:07:57 PM