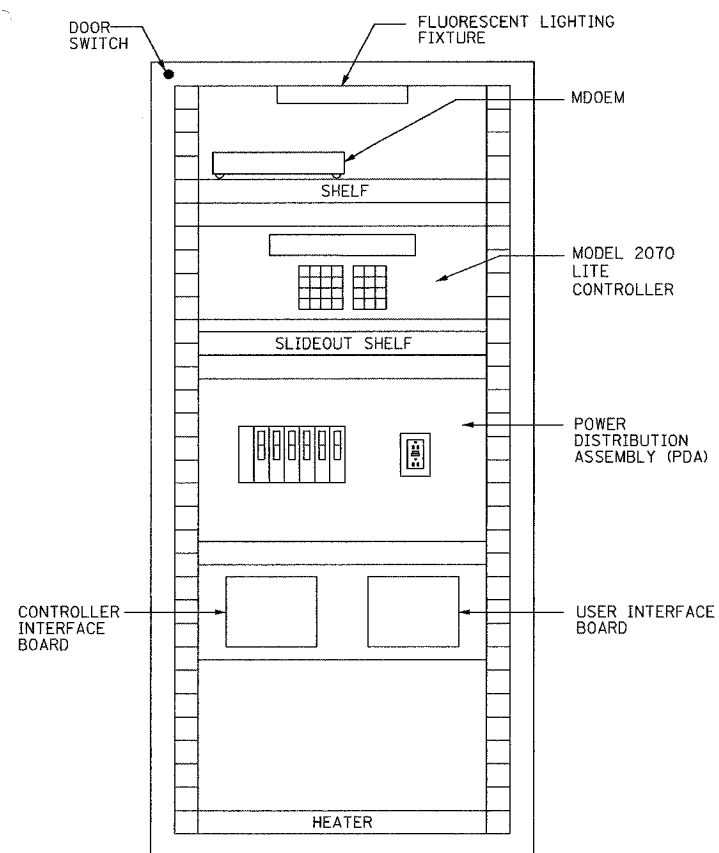


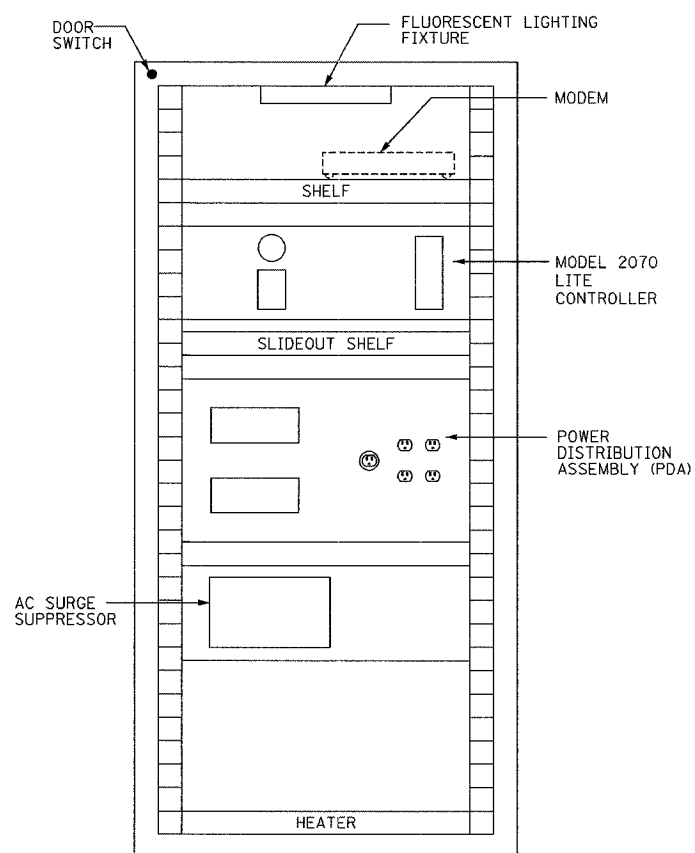
F.A.I. RTE.	SECTION	COUNTY	TOTAL SHEETS	SHEET NO.
90/94	2005-020I	COOK	16	4
STA.	TO STA.			
FED. ROAD DIST. NO. 1	ILLINOIS	FED. AID PROJECT	62947	

**NOTES:**

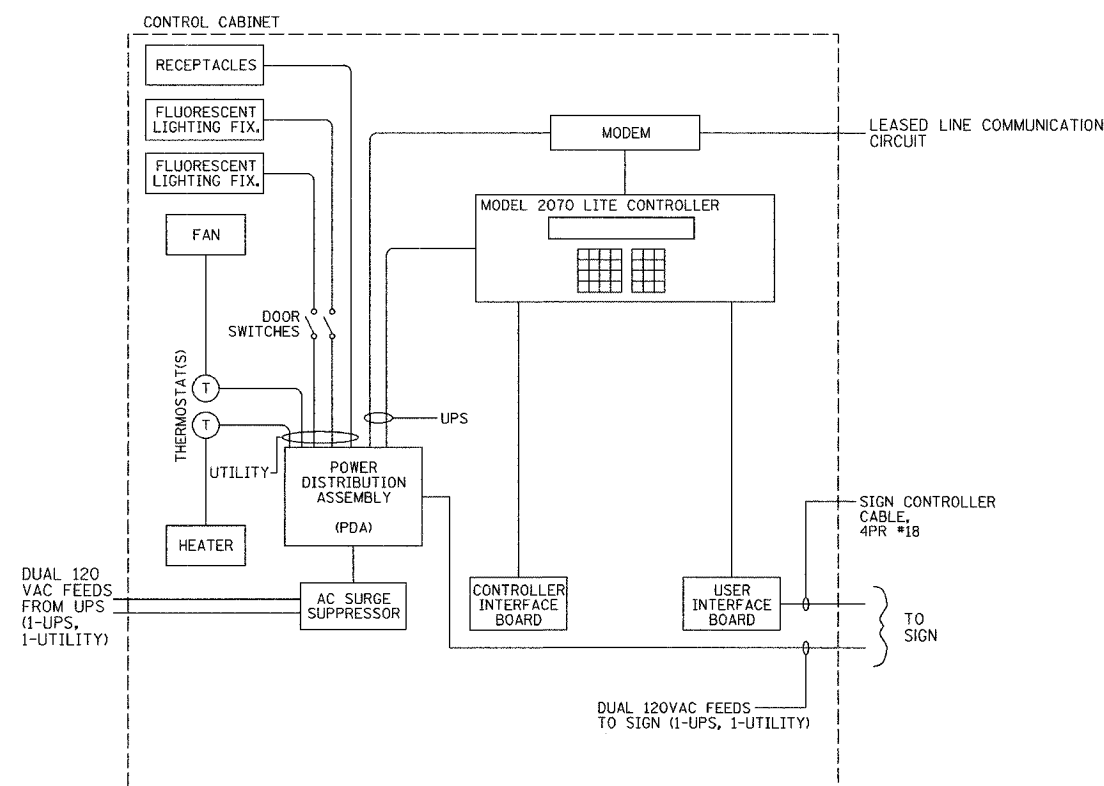
1. ALL POWER AND COMMUNICATION CONNECTIONS SHOWN OUTSIDE OF THE CABINET WILL BE PROVIDED BY THE CABINET INSTALLATION CONTRACTOR AND ARE SHOWN HERE FOR INFORMATION ONLY.
2. DMS CONTROLLER CABINETS WILL ONLY BE SUPPLIED WITH SIGNS DMS-A AND DMS-B.



CONTROL CABINET LAYOUT  
FRONT VIEW (TYPICAL)  
(MODEL 334)



CONTROL CABINET LAYOUT  
BACK VIEW (TYPICAL)  
(MODEL 334)



CONTROL CABINET SINGLE  
LINE DIAGRAM (TYPICAL)  
(MODEL 334)

REVISIONS	
NAME	DATE

DT-02

ILLINOIS DEPARTMENT OF TRANSPORTATION  
F.A.I. 90/94 (DAN RYAN EXPRESSWAY)  
31st STREET TO I-57

DYNAMIC MESSAGE SIGN  
CONTROLLER CABINET DETAILS

SCALE: NOT TO SCALE  
DATE: September 23, 2005

DRAWN BY: BHP  
CHECKED BY: BMW

P:\030019\035\VT\S\CAD\Contract\62947\DT0200022.dwg 12/25/22 PM