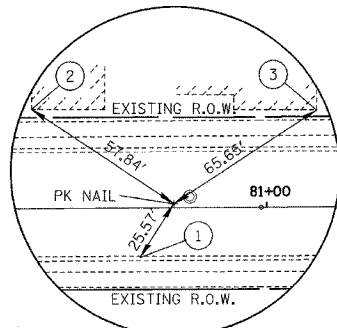


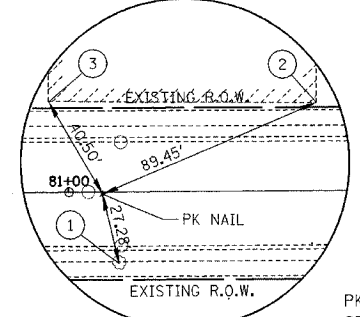
75TH STREET COORDINATE DATA

100	N 1,855,256.511 E 1,176,567.363
101	N 1,855,266.361 E 1,177,027.998
102	N 1,855,267.509 E 1,177,135.637
103	N 1,855,289.015 E 1,177,856.662
104	N 1,855,298.735 E 1,177,961.485
105	N 1,855,305.511 E 1,178,108.344



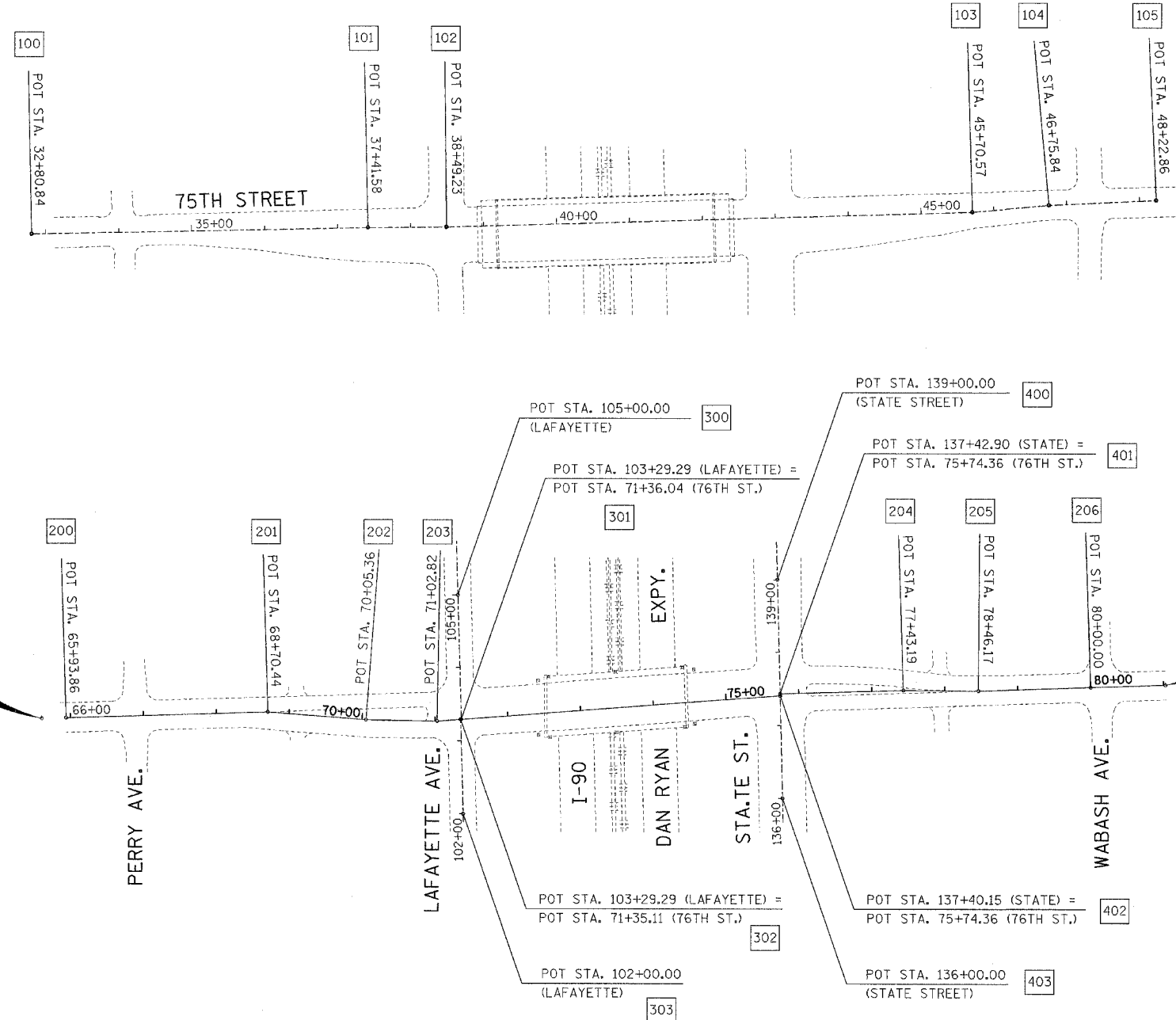
PK NAIL SET IN PAVEMENT
STA. 81+00.00
1.46' LEFT
N 1,854,592.112
E 1,176,581.811

- ① "X" ON TOP OF CURB
- ② "X" NORTHWEST CORNER OF BLDG.
- ③ "X" NORTHEAST CORNER OF BLDG.



PK NAIL SET IN PAVEMENT
STA. 81+02.70, 0.69' RIGHT
N 1,854,640.139
E 1,178,121.966

- ① PK NAIL ON 16 INCH TREE
- ② "X" NORTHEAST CORNER OF BLDG.
- ③ "X" NORTHWEST CORNER OF BLDG.



SURVEY BENCHMARKS

76TH STREET		
BM-97	"X" on South bolt of fire hydrant at Northwest corner of West 76th Street and South Perry Avenue	Elev. = 8.79
BM-104	CCHD brass disk in IDOT parkway at Southwest corner of East 76th Street and South Wabash Avenue. In front of house number 7600.	Elev. = 9.23

76TH STREET COORDINATE DATA

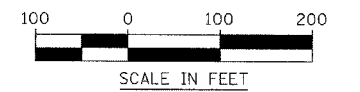
200	N 1,854,593.018 E 1,176,615.262	204	N 1,854,632.506 E 1,177,762.602
201	N 1,854,601.494 E 1,176,891.709	205	N 1,854,631.789 E 1,177,865.575
202	N 1,854,591.223 E 1,177,026.243	206	N 1,854,636.843 E 1,178,019.322
203	N 1,854,589.503 E 1,177,123.685		

LAFAYETTE COORDINATE DATA

300	N 1,854,762.615 E 1,177,151.979
301	N 1,854,591.974 E 1,177,156.827
302	N 1,854,591.904 E 1,177,155.894
303	N 1,854,462.665 E 1,177,159.506

STATE ST. COORDINATE DATA

400	N 1,854,784.355 E 1,177,589.882
401	N 1,854,627.305 E 1,177,593.848
402	N 1,854,624.555 E 1,177,593.917
403	N 1,854,484.444 E 1,177,597.175



REVISIONS	
NAME	DATE

ILLINOIS DEPARTMENT OF TRANSPORTATION
F.A.I. 94 (DAN RYAN EXPRESSWAY)
**75TH AND 76TH STREET
ALIGNMENT AND TIES**
SCALE: AS SHOWN
DATE: JULY 8, 2005
DRAWN BY: REW/RTA
CHECKED BY: JCM

FILE: L:\16592.02\Cad\Sheets\Contract 170-659202 A&T 17G.dgn

