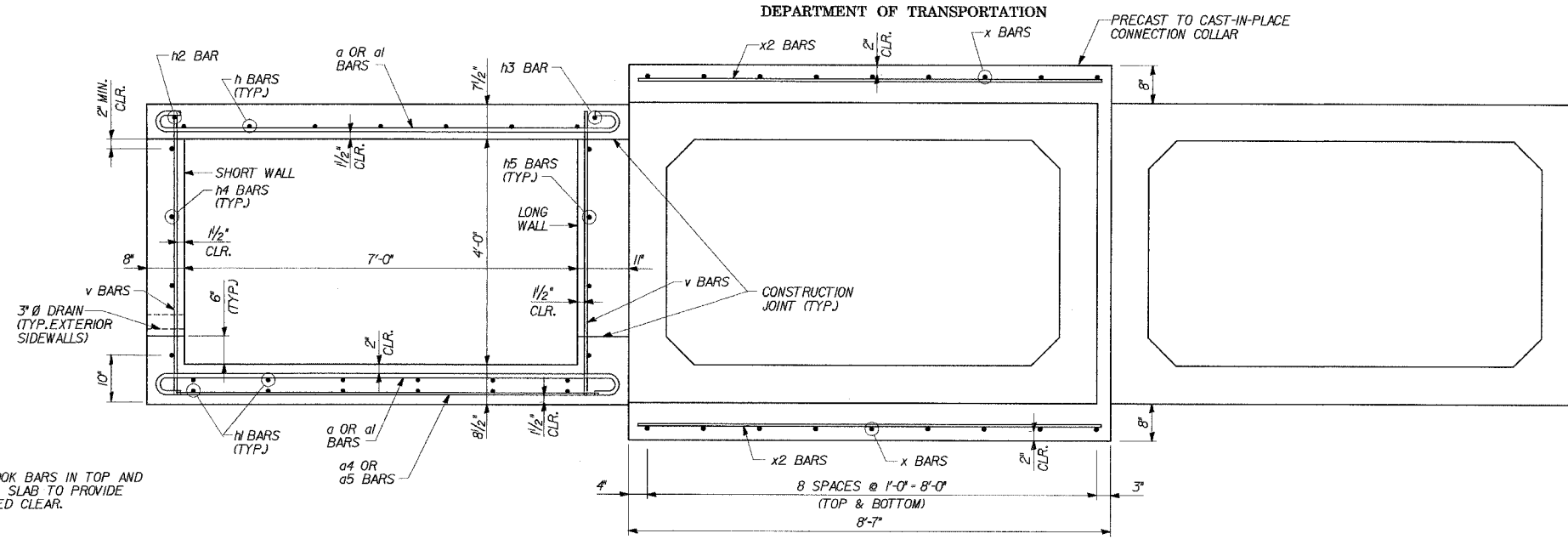
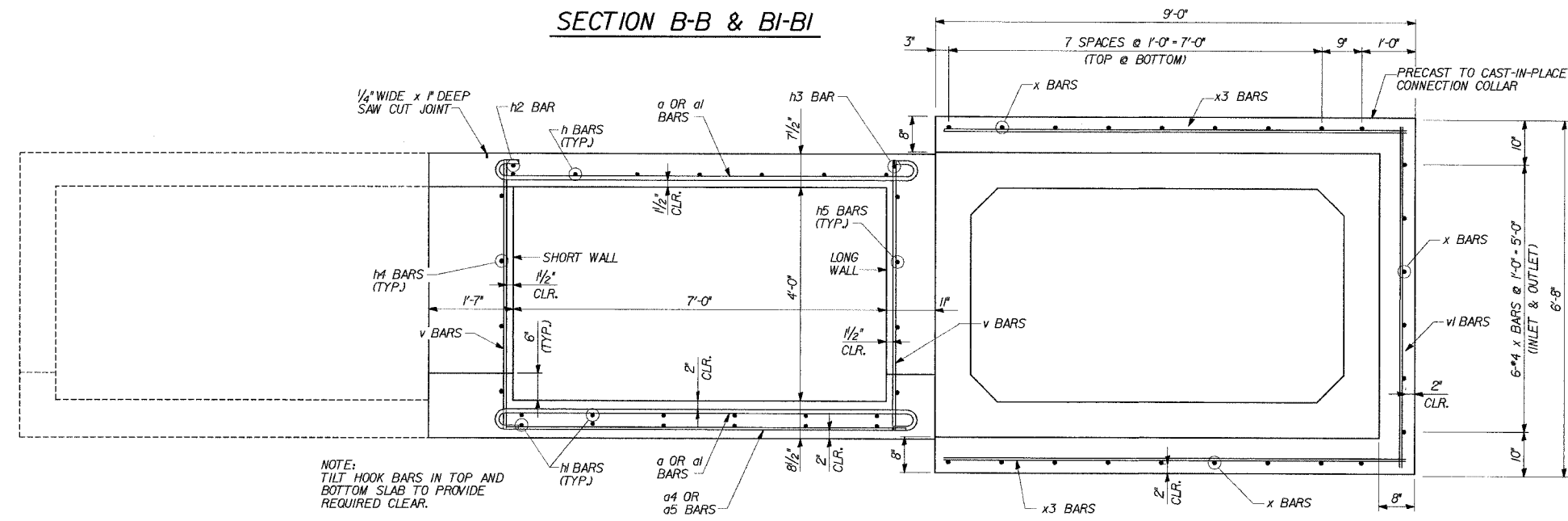


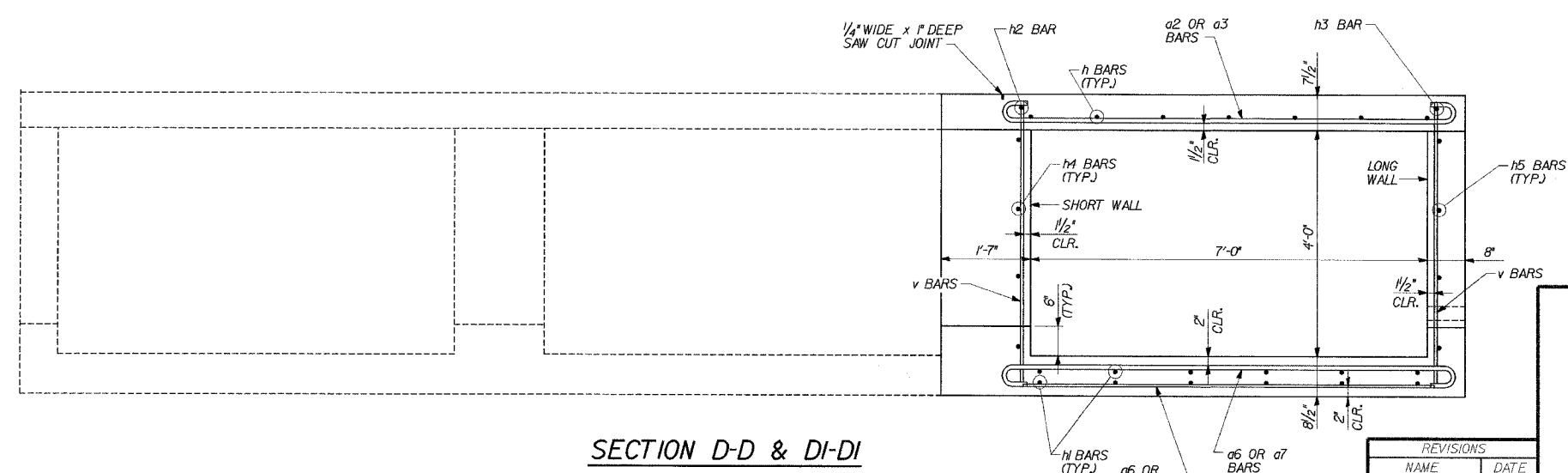
ROUTE NO.		SECTION	COUNTY	TOTAL SHEETS	SHEET NO.
FAP 353		*	WILL	53	31



SECTION B-B & BI-BI



SECTION C-C & CI-CI



SECTION D-D & DI-DI

NOTE:
TILT HOOK BARS IN TOP AND
BOTTOM SLAB TO PROVIDE
REQUIRED CLEAR.

NOTE:
TILT HOOK BARS IN TOP AND
BOTTOM SLAB TO PROVIDE
REQUIRED CLEAR.

NOTE:
TILT HOOK BARS IN TOP AND
BOTTOM SLAB TO PROVIDE
REQUIRED CLEAR.

* SECT. 12 & 13 T-1

09-Jun-2005 10:26 s:\Dept\Structures\3050002-IL-US00\CULVERT\F SUPPLEMENT\10-11-TYPSECT-F.dgn

DESIGNED	ASP
CHECKED	CDS
DRAWN	BEM
CHECKED	ASP

REVISIONS	
NAME	DATE

U.S. 30 OVER STREAM
0.3 MILES W. OF WOLF RD.
TYPICAL SECTION
U.S. ROUTE 30 (LINCOLN HIGHWAY)
F.A.P. 353 (U.S. 30)
SECTION (12 & 13) T-1
STATION 293+05.00
WILL COUNTY
STRUCTURE NUMBER 099-4661