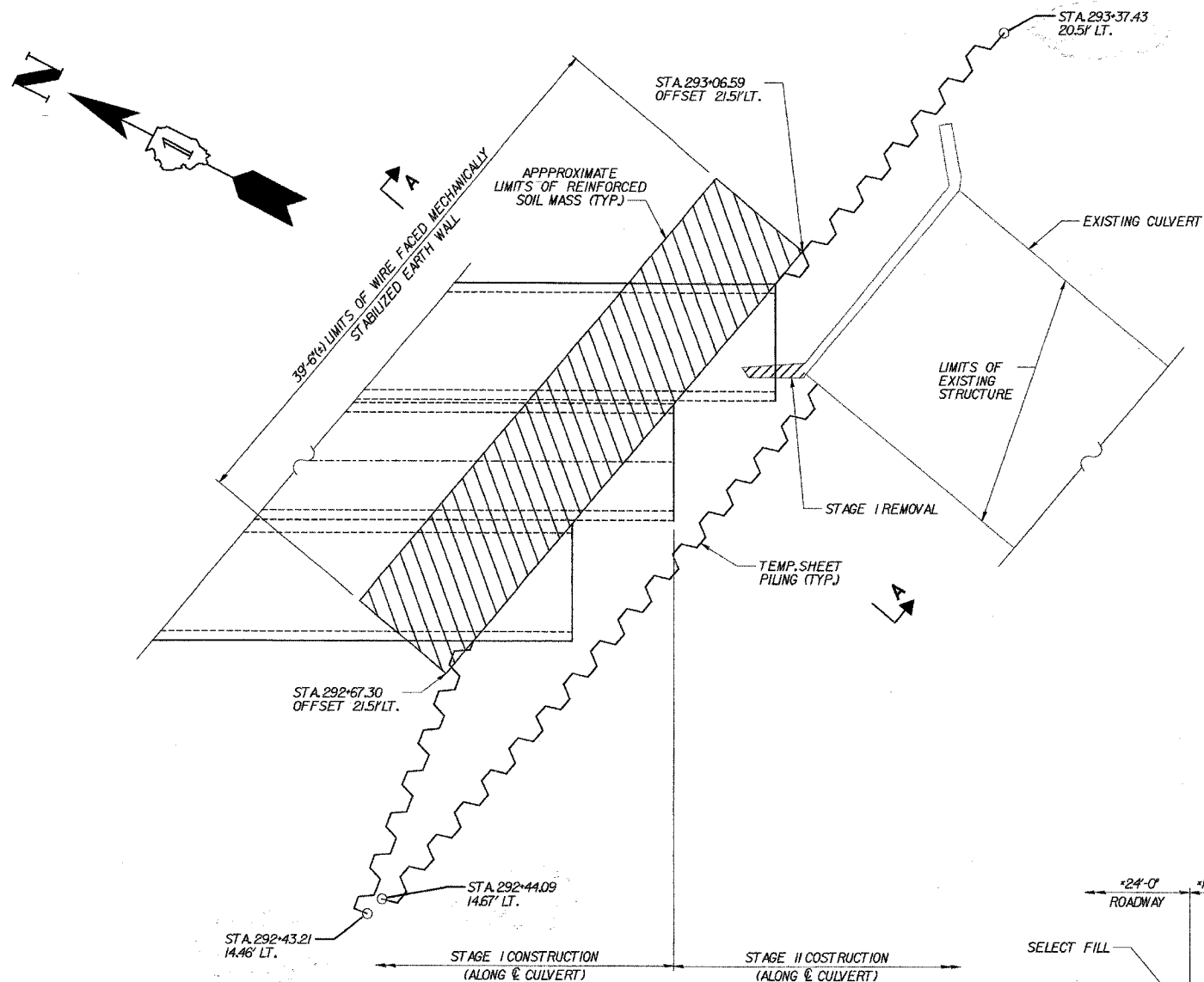
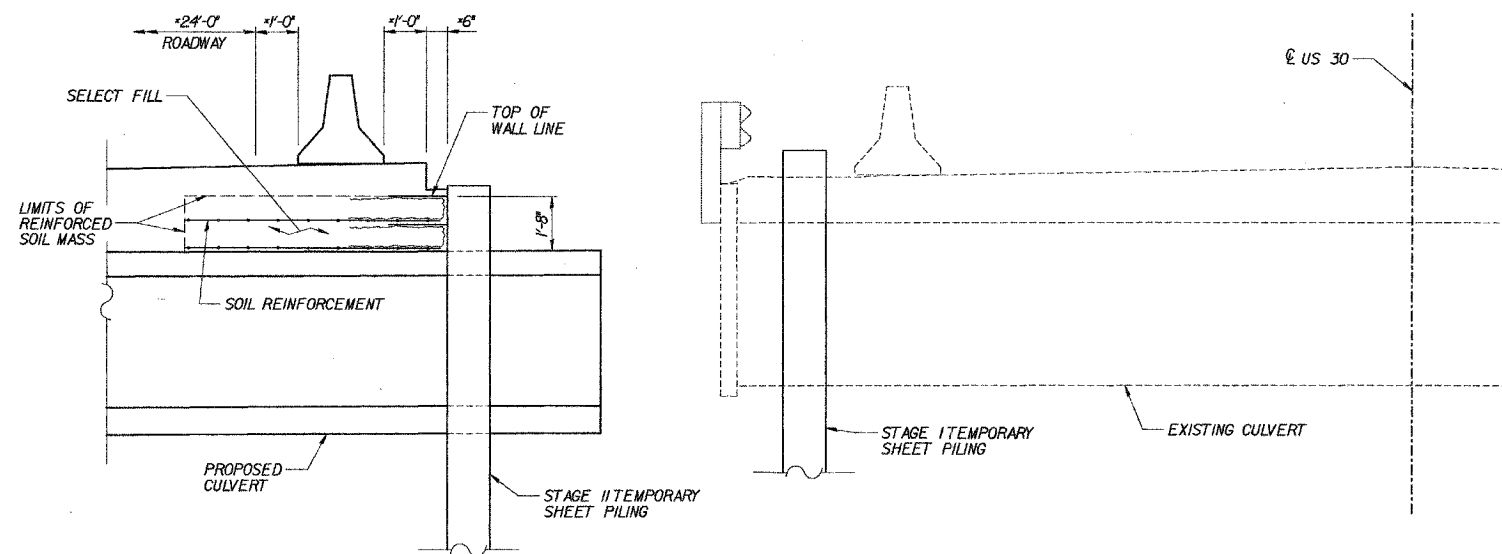


CONTRACT NO. 02901				
ROUTE NO.	SECTION	COUNTY	TOTAL SHEETS	SHEET NO.
FAP 353	*	WILL	53	24

* SECT. 12 & 13 1'-1'



PLAN



* MEASURED PERPENDICULAR TO CENTERLINE OF ROADWAY

SECTION A-A

DESIGNED	ASP
CHECKED	CDS
DRAWN	BEM
CHECKED	ASP

REVISIONS	
NAME	DATE

**U.S. 30 OVER STREAM
0.3 MILES W. OF WOLF RD.
WIRE FACED MECHANICALLY
STABILIZED EARTH WALL**
U.S. ROUTE 30 (LINCOLN HIGHWAY)
F.A.P. 353 (U.S. 30)
SECTION (12 & 13) WRS-3
STATION 293+05.00
WILL COUNTY
STRUCTURE NUMBER 099-4661

E:\Dept\Structures\060002-IL-US30\CULVERT\ SUPPLEMENT 04-WFREWALL.dgn 15-Jul-2005 09:05