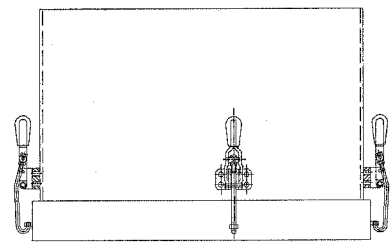
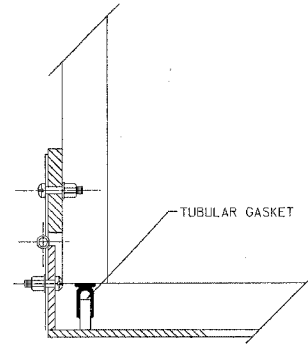


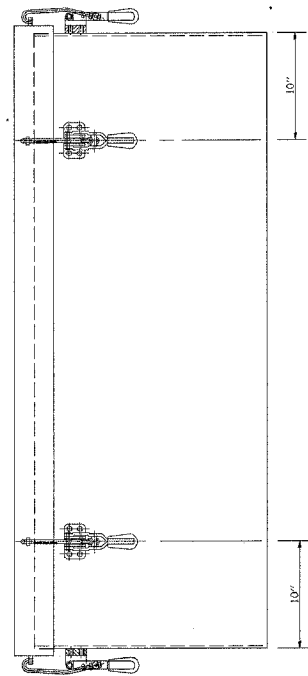
F.A. RTE.	SECTION	COUNTY	TOTAL SHEETS	SHEET NO.
290	0305-302K-13	COOK	55	38
STA.		TO STA.		
FED. ROAD DIST. NO.	ILLINOIS FED. AID PROJECT			



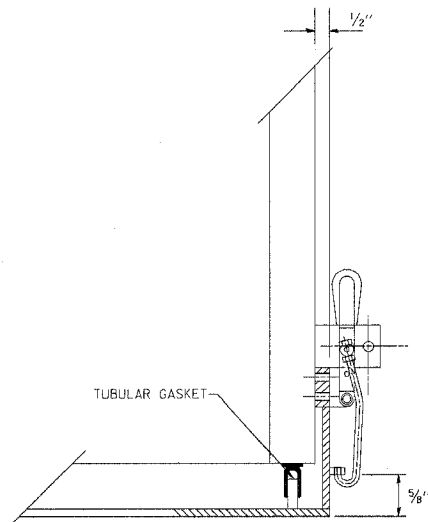
TOP VIEW



HINGE DETAIL

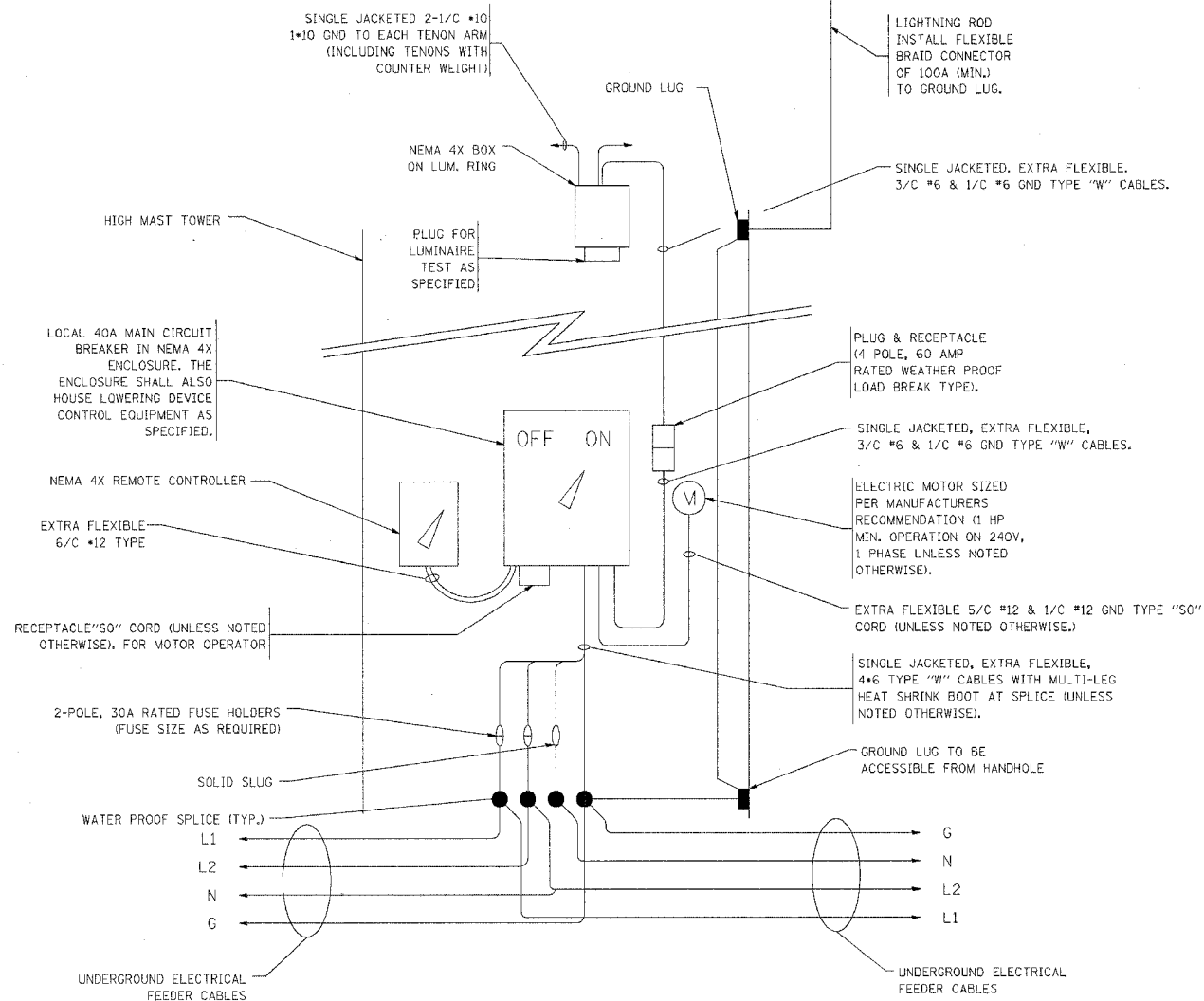


SIDE VIEW

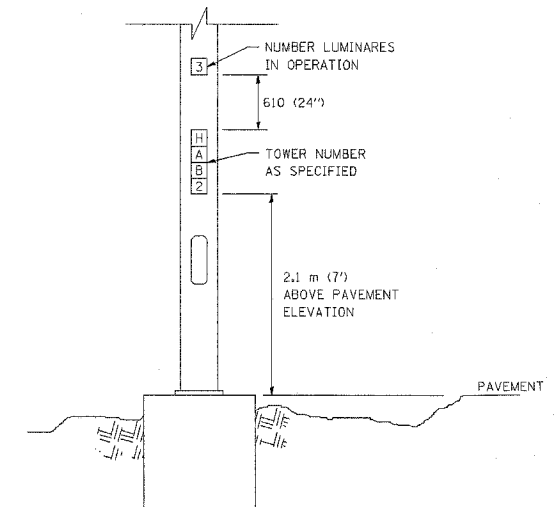


LATCH DETAIL

HANDHOLE DOOR DETAILS



HIGH MAST POLE WIRING DIAGRAM



LIGHT TOWER NUMBERING DETAIL

E-500

REVISIONS	
NAME	DATE

ILLINOIS DEPARTMENT OF TRANSPORTATION  
**HIGH MAST LIGHT TOWER**  
 27m TO 36m (90FT TO 120FT)  
 SHEET 3 OF 3

SCALE: VERT. NONE  
 HORIZ. DATE  
 DRAWN BY  
 CHECKED BY