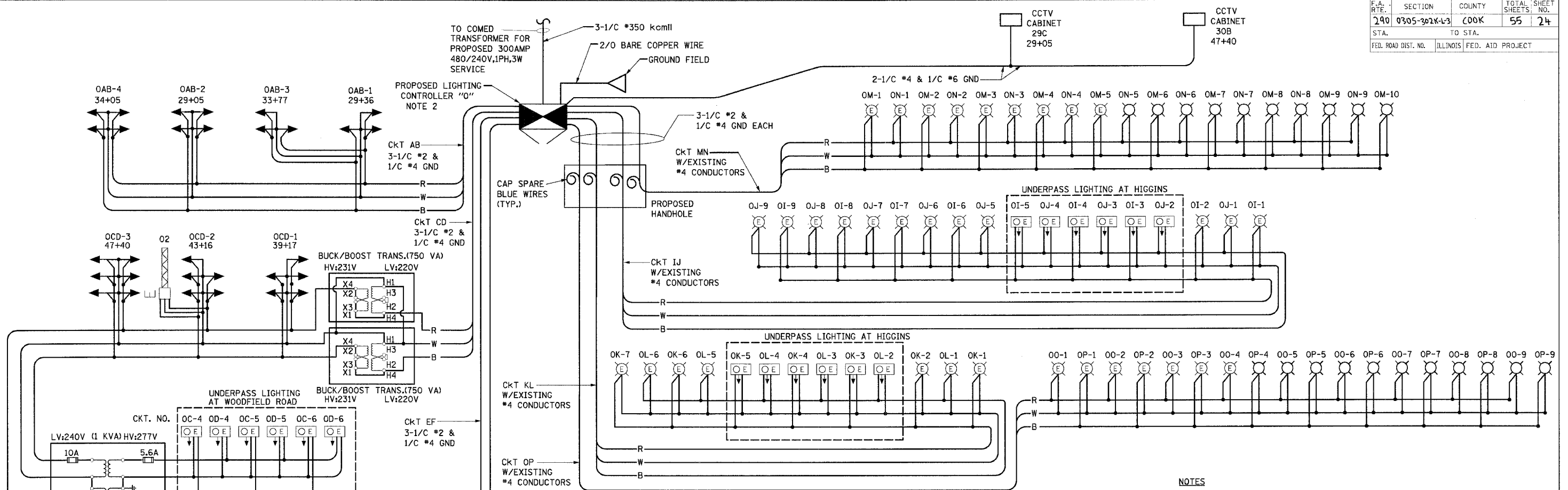


62877

F.A. RTE.	SECTION	COUNTY	TOTAL SHEETS	SHEET NO.
290	0305-302K-L3	COOK	55	24
STA.	TO STA.			
FED. ROAD DIST. NO.	ILLINOIS	FED. AID PROJECT		



**LOAD TABULATION FOR LIGHTING CONTROLLER "O"**

CIRCUIT	DESCRIPTION	PHASE A (RED) AMPS	PHASE B (BLACK) AMPS	BREAKER SIZE AMPS
A	7 FIXTURES	27.3		70
B	7 FIXTURES		27.3	70
C	8 FIXTURES +1 SIGN + 3 UNDERPASS	34.5		70
D	8 FIXTURES + 2 SIGN + 3 UNDERPASS		35.4	70
E	7 FIXTURES	27.3		70
F	7 FIXTURES		27.3	70
G	8 FIXTURES + 3 SIGN + 5 UNDERPASS	35.4		70
H	8 FIXTURES + 4 SIGN + 5 UNDERPASS		36.3	70
I	6 FIXTURES + 3 UNDERPASS	15		70
J	6 FIXTURES + 3 UNDERPASS		15	70
K	4 FIXTURES + 3 UNDERPASS	10.8		70
L	3 FIXTURES + 3 UNDERPASS		8.7	70
M	10 FIXTURES	21		70
N	9 FIXTURES		18.9	70
O	9 FIXTURES	18.9		70
P	9 FIXTURES		18.9	70
Q				70
R				70
S				70
T				70
U				70
V				70
W				70
X				70
<b>TOTAL</b>		<b>190.2</b>	<b>187.8</b>	
<b>CONNECTED LOAD</b>		<b>90.7kVA</b>		

- NOTES**
- BUCK/BOOST TRANSFORMERS TO BE INSTALLED AT THE DISCRETION OF THE ENGINEER.
  - PROPOSED LIGHTING CONTROLLER "O" IS LOCATED AT THE NORTHWEST CORNER OF HIGGINS ROAD AND FRONTAGE ROAD.

- LEGEND**
- PROPOSED TOWER MOUNTED 750W HPS LUMINAIRE-240V DESIGNATION AS INDICATED
  - EXISTING HPS LUMINAIRE TO BE REPLACED WITH HPS LUMINAIRE WITH MULTI-TAP BALLAST DESIGNATION AS INDICATED
  - REINSTALLED LIGHTING UNIT
  - EXISTING 150W MULTI-TAP UNDERPASS LUMINAIRE
  - EXISTING SIGN LUMINAIRE
  - PROPOSED LIGHTING CONTROLLER, DUPLEX TYPE WITH RADIO CONTROL AND SCADA
  - B BLACK PHASE CONDUCTOR
  - W WHITE NEUTRAL CONDUCTOR
  - R RED PHASE CONDUCTOR
  - G GREEN GROUND CONDUCTOR

REVISIONS	
NAME	DATE

ILLINOIS DEPARTMENT OF TRANSPORTATION

**ILLINOIS ROUTE 53  
SINGLE LINE DIAGRAM  
PROPOSED CONTROLLER "O"**

SCALE: VERT. NONE  
HORIZ. NONE  
DATE: 02-28-2005

DRAWN BY WDF  
CHECKED BY RER

**HOH** HENRY O. HEFTER - ASSOCIATES, INC.  
DESIGN AND CONSULTING ENGINEERS  
55 East Jackson Blvd.  
Chicago, Illinois 60604  
312/346-8131

PROJECT NUMBER: 2672  
FILE: \\HQA\PROJECTS\2672\DOCS\FINAL\_04\_01\_05\SEGMENT 1\LIGHTING\211.DWG

E-11