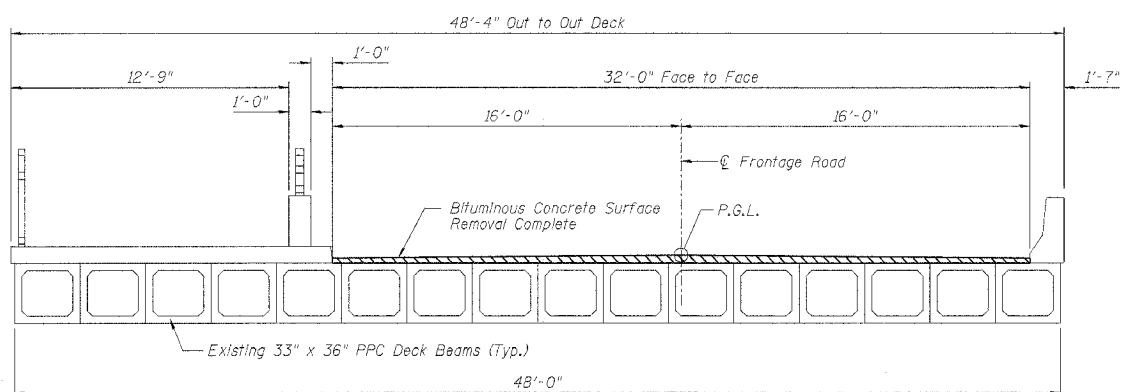
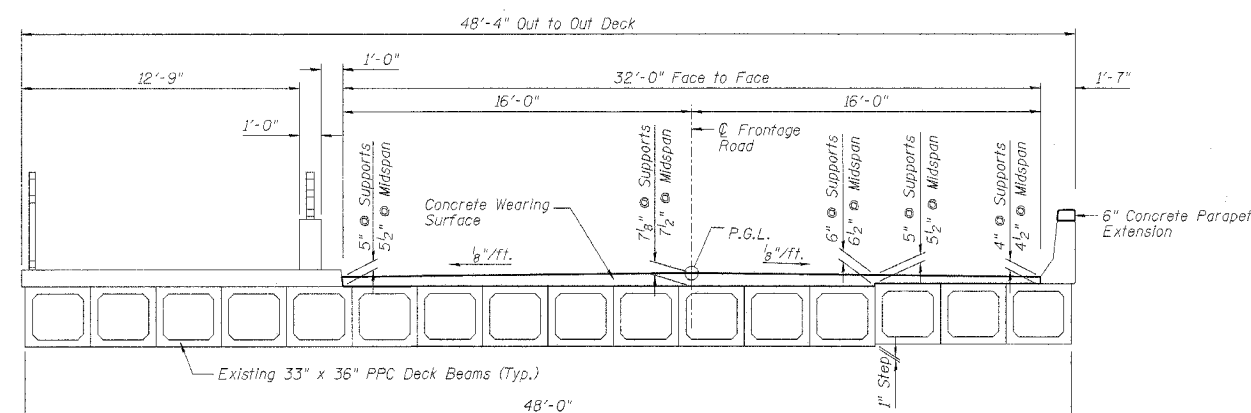


STATE OF ILLINOIS
DEPARTMENT OF TRANSPORTATION

ROUTE NO.	SECTION	COUNTY	TOTAL SHEETS	SHEET NO.	SHEET NO. 2 6 SHEETS
S.B.L. P.A.M. 285	*	COOK	72	42	
*2004-108 BR			Contract No. 62853		



EXISTING CROSS SECTION
(Looking South)



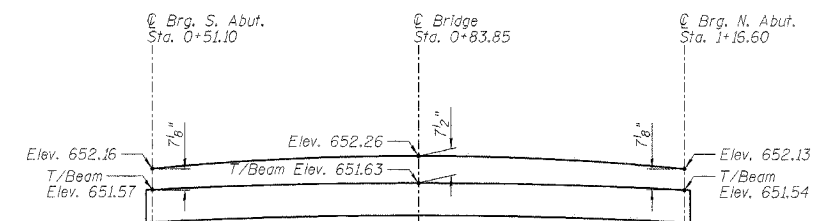
PROPOSED CROSS SECTION
(Looking South)

NOTE: Contractor shall not damage existing portland mortar facing course as it shall be reused.

LEGEND

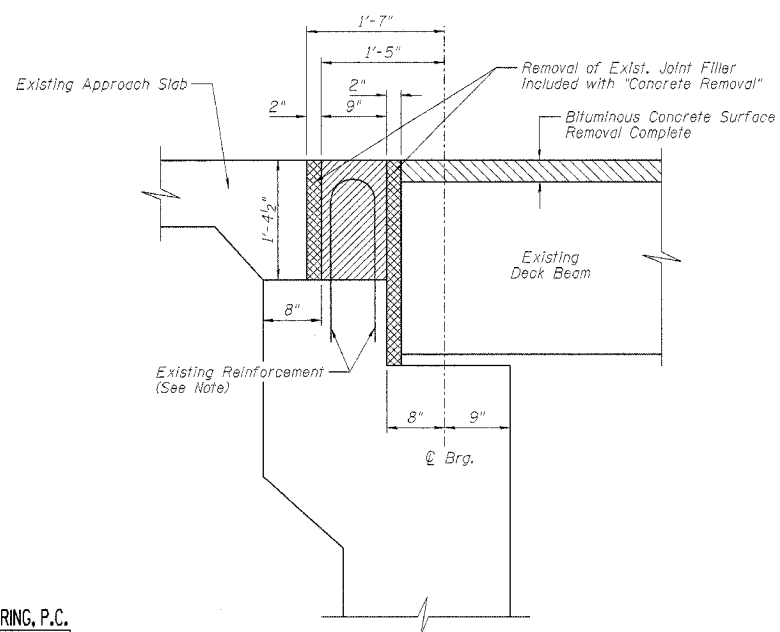
- Concrete Removal
- Bituminous Concrete Surface Removal (Complete)

Note:
Existing Reinforcement extending into removed areas shall be blast cleaned, straightened and incorporated into new construction. Cost included with "Concrete Removal". Any reinforcement bars that are damaged during concrete removal shall be replaced with an approved bar splicer or anchorage system. Cost included with "Concrete Removal".

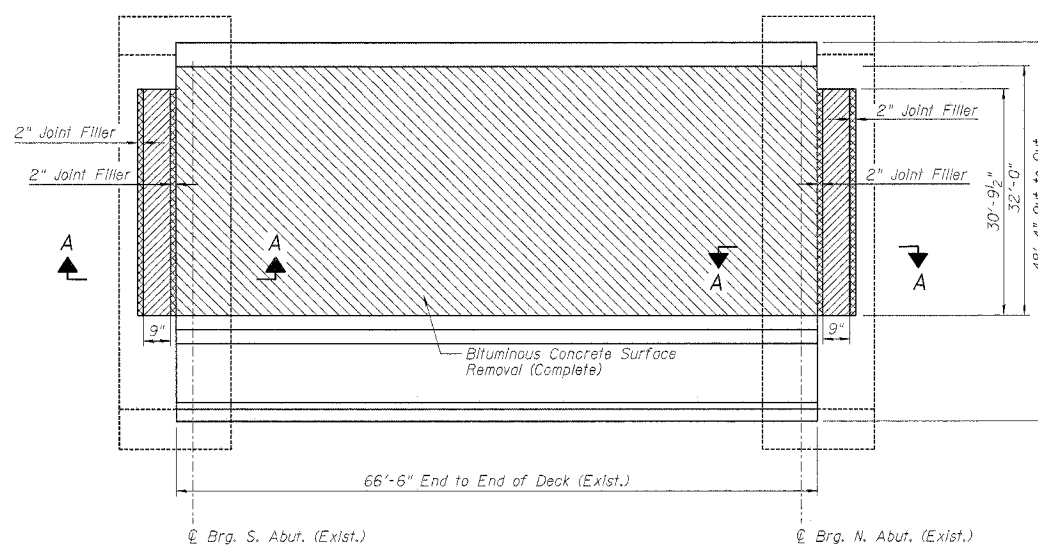


OVERLAY PROFILE

(Along Frontage Rd.)
(Beam elevation at midspan derived from survey data)



SECTION A-A THROUGH EXISTING ABUTMENT



CONCRETE REMOVAL PLAN

BILL OF MATERIAL

ITEM	UNIT	QUANTITY
Bituminous Concrete Surface Removal Complete	Sq Yd	240
Concrete Removal	Cu Yd	2.4

**CROSS SECTION AND LIMITS OF REMOVAL
WEST FRONTAGE ROAD OVER PALATINE ROAD
FAP 305/PALATINE ROAD
SECTION 2004-108 BR
COOK COUNTY
STA. 0+88.97
STRUCTURE NO. 016-2530**

BRANCO & ZROKA ENGINEERING, P.C.

DESIGNED	LAS
CHECKED	DAZ
DRAWN	SAW
CHECKED	LAS

February 2005