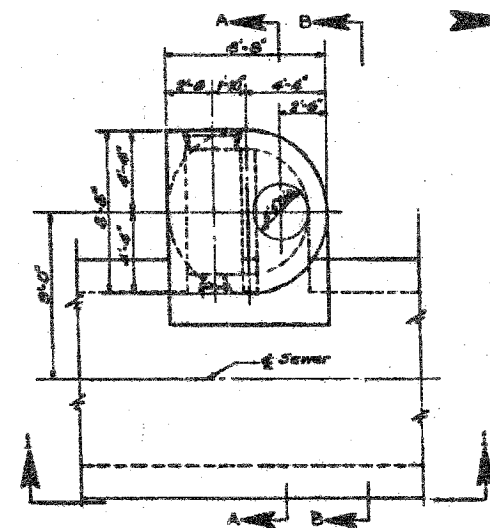
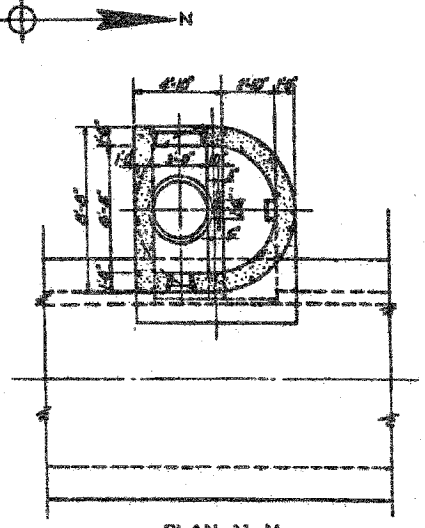


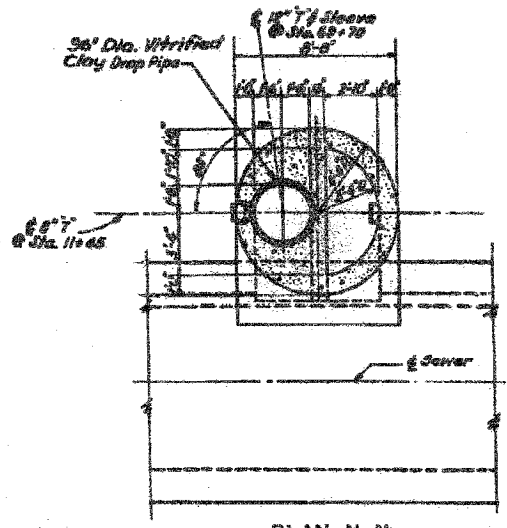
F.A.I.	SECTION	COUNTY	TOTAL SHEETS	SHEET NO.
94/90	*	COOK	598	473
STA.		TO STA.		
FED. ROAD DIST. NO.		ILLINOIS FED. AID PROJECT		
62302		*1818, ETC, 2324.6-1PIR-9		



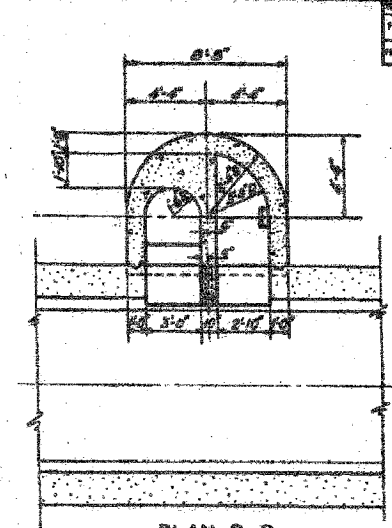
TOP PLAN
Item 2



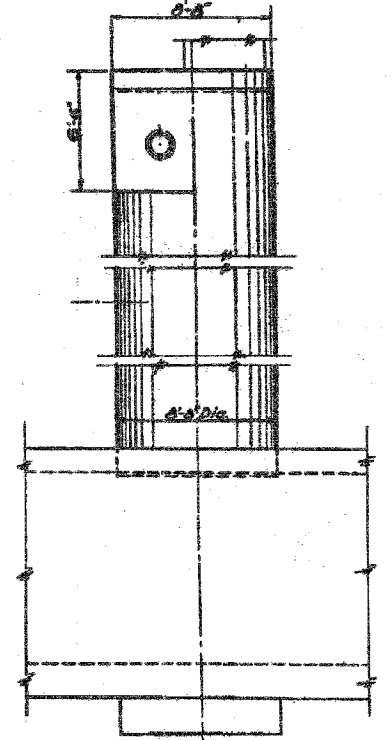
PLAN M-M



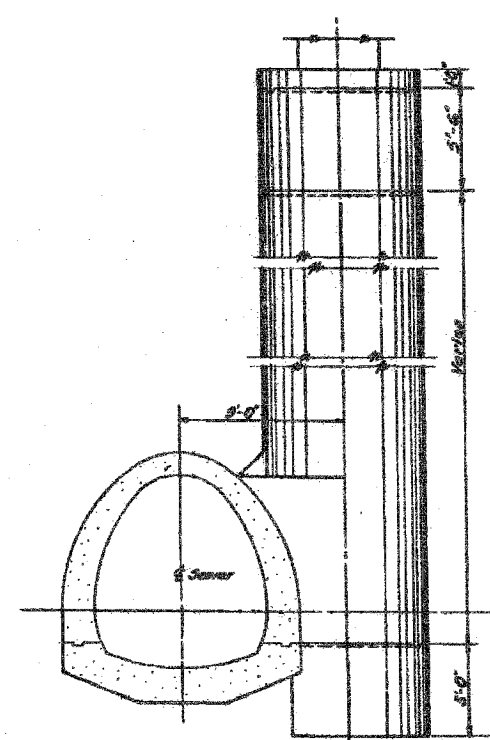
PLAN N-N



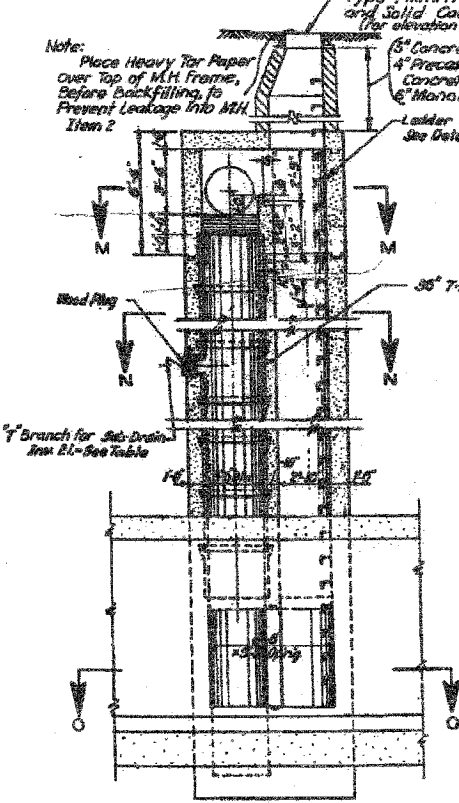
PLAN D-D



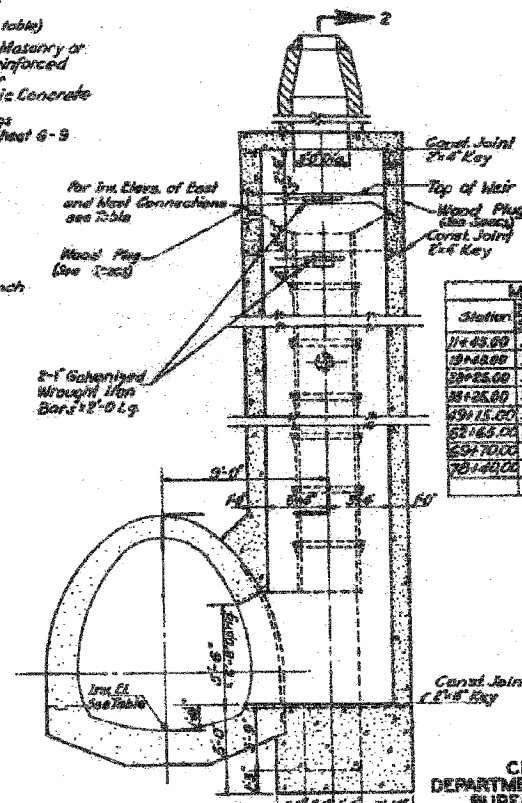
ELEVATION 1-1



SECTION B-B



SECTION 2-2



SECTION A-A

Note: Place Heavy Tar Paper over Top of M.H. Frame, Before Backfilling, to Prevent Leakage into M.H. Item 2

Note: 1" Branch for Sub-Drain, Inv. 21'-0" See Table

Note: Connection to 8" x 10" Sewer as shown For Type I M.H. Frame see Sheet G-7 For Location of Manholes see Sheets G-2 to G-7 incl. For Reinforcement Details see Sheet S-11

PROJECT NO.	SECTION	COUNTY	TOTAL SHEETS	SHEET NO.
F.A.I. 94	S-2324.6-1D	COOK	598	473
FED. ROAD DIST. NO.	ILLINOIS	FED. AID PROJECT		
62302	*1818, ETC, 2324.6-1PIR-9			

Station	8" x 10" Sewer	12" x 15" Sewer	18" x 24" Sewer	Main Drain
11+45.00	50'	42'	34'	-4.75
11+48.00	50'	42'	34'	-4.15
11+51.00	50'	42'	34'	-3.55
11+54.00	50'	42'	34'	-2.95
11+57.00	50'	42'	34'	-2.35
11+60.00	50'	42'	34'	-1.75
11+63.00	50'	42'	34'	-1.15
11+66.00	50'	42'	34'	-0.55
11+69.00	50'	42'	34'	0.05
11+72.00	50'	42'	34'	0.65
11+75.00	50'	42'	34'	1.25

Station	Elevation
11+45.00	-4.15
11+48.00	+6.88
11+51.00	+8.92
11+54.00	-1.72
11+57.00	-2.45
11+60.00	-4.57
11+63.00	+6.51
11+66.00	+1.30

CITY OF CHICAGO
DEPARTMENT OF PUBLIC WORKS
BUREAU OF ENGINEERING
SOUTH ROUTE SUPERHIGHWAY
SECTION 3-2324.6-1D
MAIN DRAIN
MANHOLE DETAILS

SCALE 1/4" = 1'-0"

MARCH 1981

SHEET NO. G-8 OF 25 SHEETS

Drawn by: A.C. Hoffmick
Checked by: P.H. Ruffalo
Approved by: [Signature]

BOWMAN, BARRETT & ASSOCIATES INC.
CONSULTING ENGINEERS
Chicago, Illinois
312.228.0100
www.bbainc.com

FOR INFORMATION ONLY

REVISIONS	
NAME	DATE

SHEET JC-21 OF JC-22
ILLINOIS DEPARTMENT OF TRANSPORTATION
F.A.I. 94/90 (DAN RYAN EXPRESSWAY)
31ST STREET TO 71ST STREET
SB EXPRESS LANE RECONSTRUCTION
JUNCTION CHAMBERS
EXISTING DROP MANHOLE PLANS
SCALE: NTS
DATE: 07/07/05
DRAWN BY: BDC
CHECKED BY: BLU