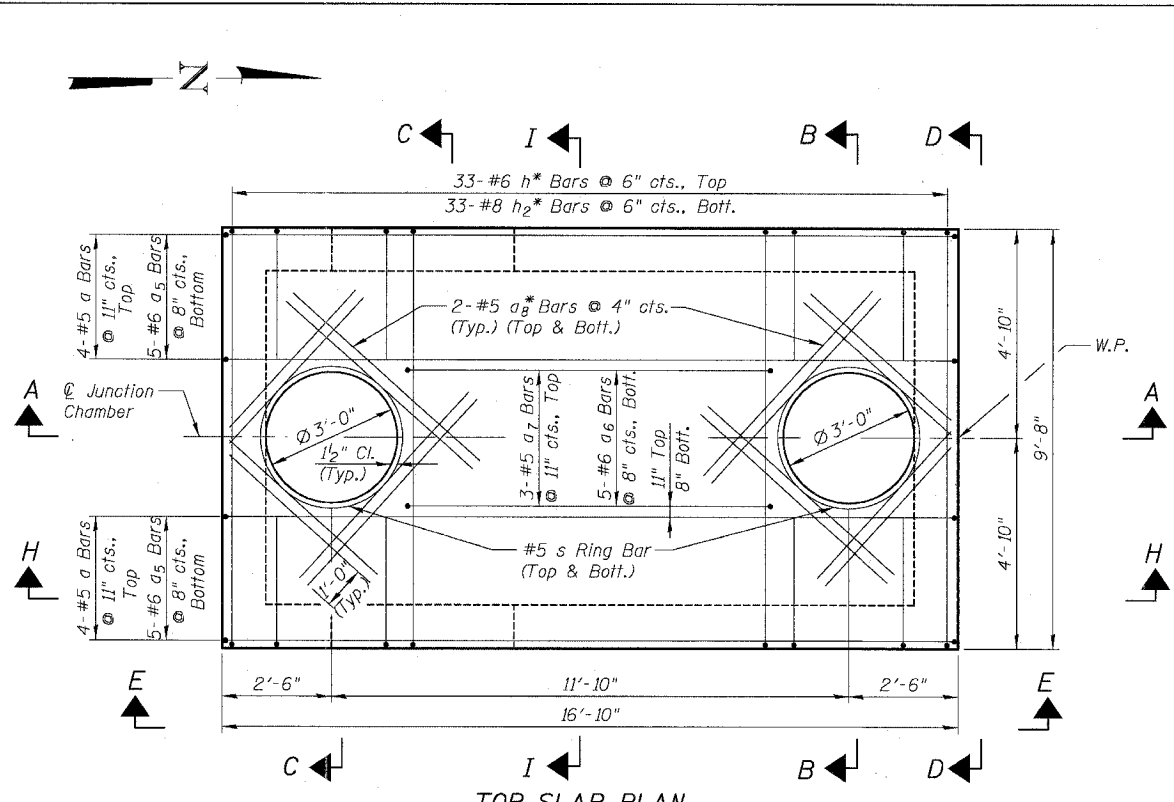


F.A.I.	SECTION	COUNTY	TOTAL SHEETS	SHEET NO.
94/90	*	COOK	598	455
STA.	TO STA.			
FED. ROAD DIST. NO.	ILLINOIS	FED. AID PROJECT		
		(1816, ETC, 2324.6-1P/R-9		

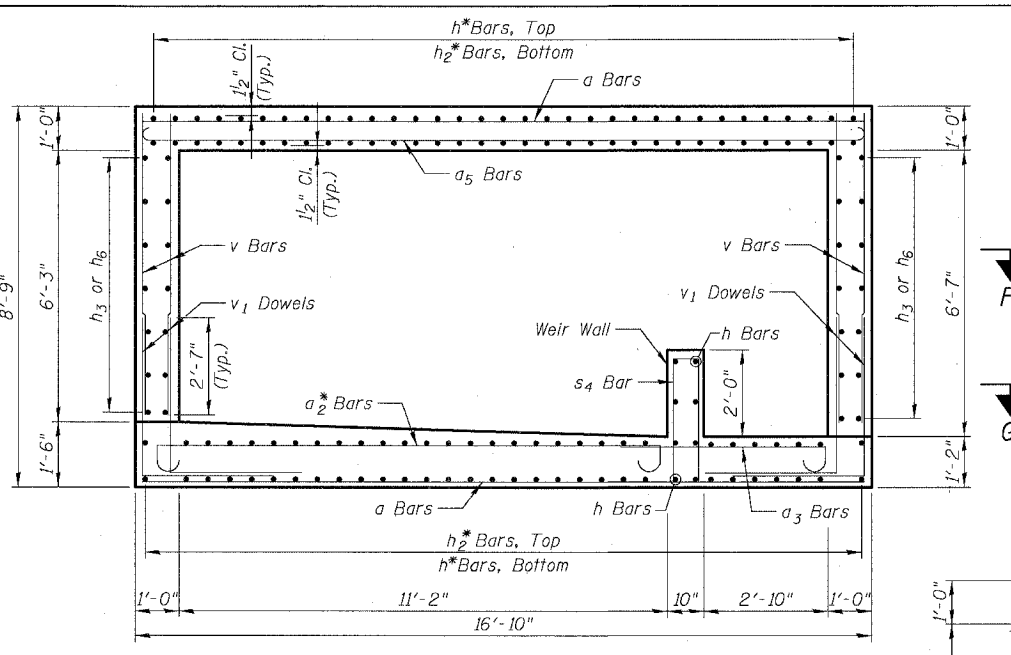
62302



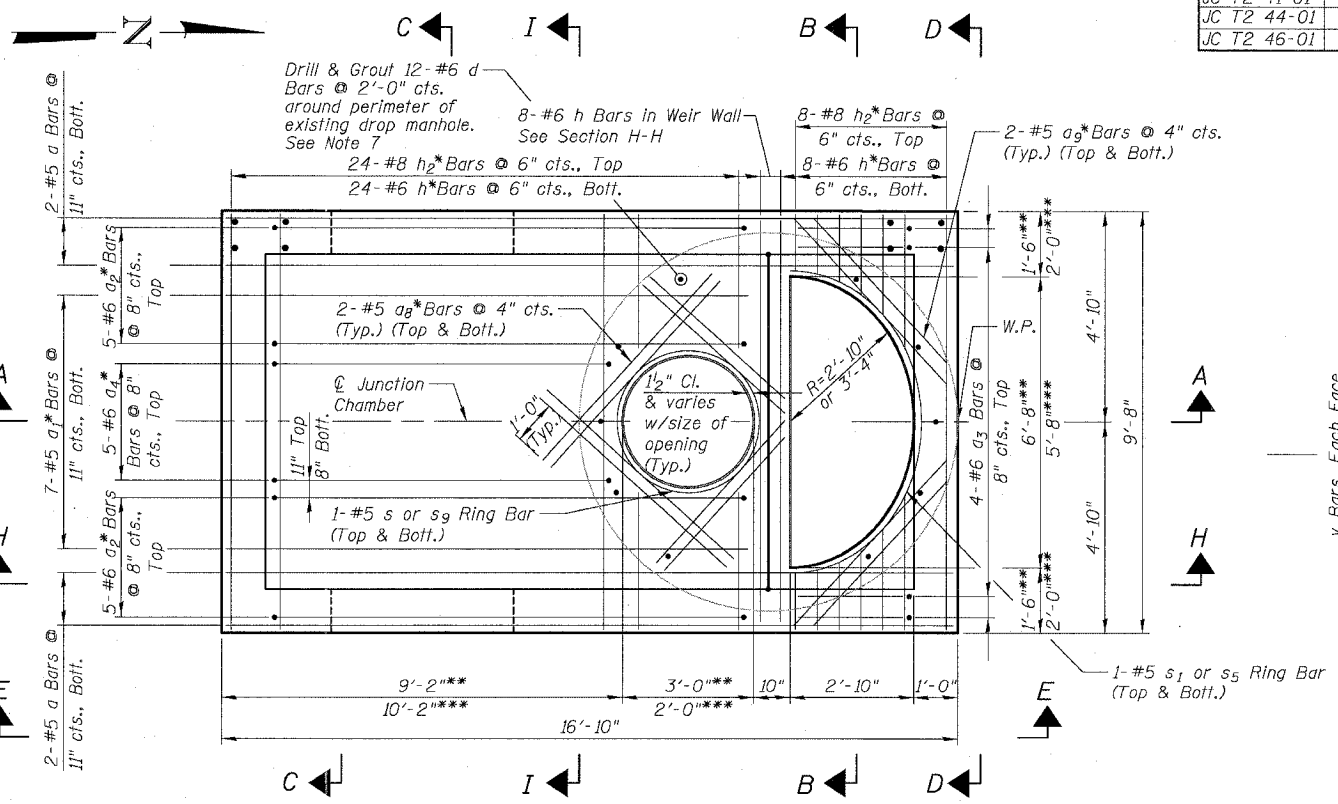
TOP SLAB PLAN

Adjust openings in top slab for final location of frame and grate required due to roadway barrier location. Adjust reinforcement as required for position of openings.

JC T2 19-01	***
JC T2 20-01	***
JC T2 23-01	***
JC T2 24-01	***
JC T2 28-01	**
JC T2 32-01	**
JC T2 35-02	**
JC T2 37-01	***
JC T2 38-01	**
JC T2 41-01	**
JC T2 44-01	**
JC T2 46-01	**



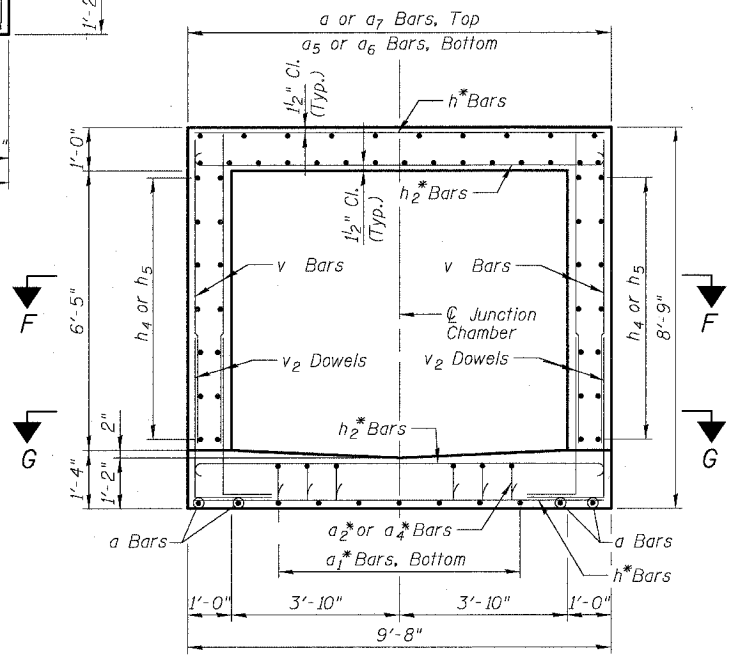
SECTION H-H



BOTTOM SLAB PLAN

BOWMAN, BARRETT & ASSOCIATES INC
CONSULTING ENGINEERS
Chicago, Illinois
312.228.0100
www.bbainc.com

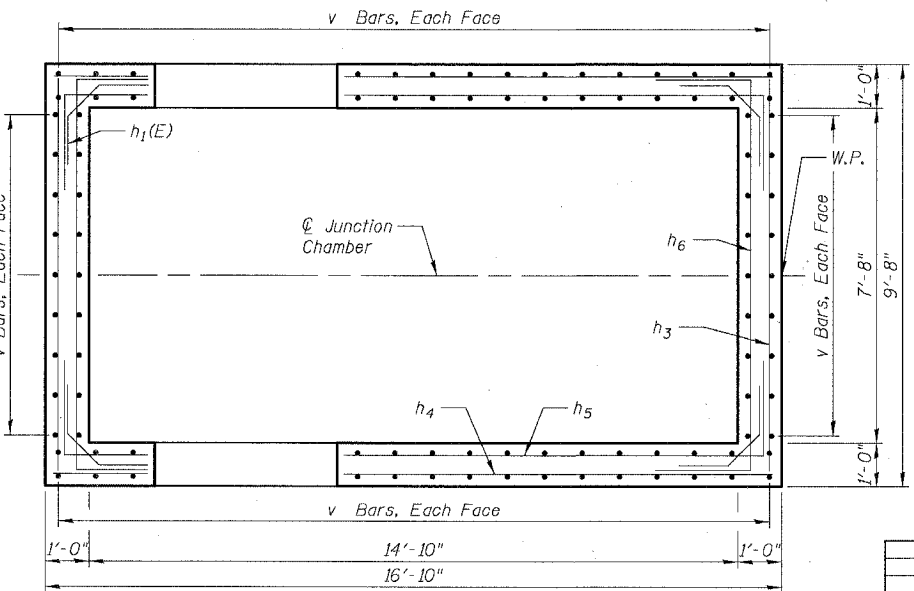
- * - Cut bars to fit in field.
- E.F. - denotes Each Face
- E.S. - denotes Each Side
- I.F. - denotes Inside Face
- O.F. - denotes Outside Face



SECTION I-I

NOTES:

1. See Sheet JC-4 for Sections A-A, B-B, C-C, D-D and Sectional Plan G-G. See Sheet JC-5 for Section E-E and Bill of Bars.
2. All dimensions and elevations shall be field verified prior to construction.
3. Concrete pipe sizes shall be coordinated with openings provided into junction chamber before pouring concrete.
4. Manhole Frame, Ladder Rungs and any inserts installation shall be coordinated with Drainage Plans.
5. Concrete cover for reinforcement steel to be 2" unless otherwise noted.
6. All lap splices marked on the drawings are minimum.
7. Epoxy Grout #6 d bars in drilled holes with a min. depth of 9" in accordance with Art. 584 of the Std. Specs. Drill holes a min. of 4" from edge of existing concrete. Orient hook to fit.



SECTIONAL PLAN F-F

REVISIONS	NAME	DATE

SHEET JC-3 OF JC-22
ILLINOIS DEPARTMENT OF TRANSPORTATION
F.A.I. 94/90 (DAN RYAN EXPRESSWAY)
31ST STREET TO 71ST STREET
SB EXPRESS LANE RECONSTRUCTION
JUNCTION CHAMBER, TYPE 2
REINFORCEMENT DETAILS 1
SCALE: N.T.S. DRAWN BY: DJM
DATE: 07/07/05 CHECKED BY: BLU

11/28/2005 10:07:46 AM