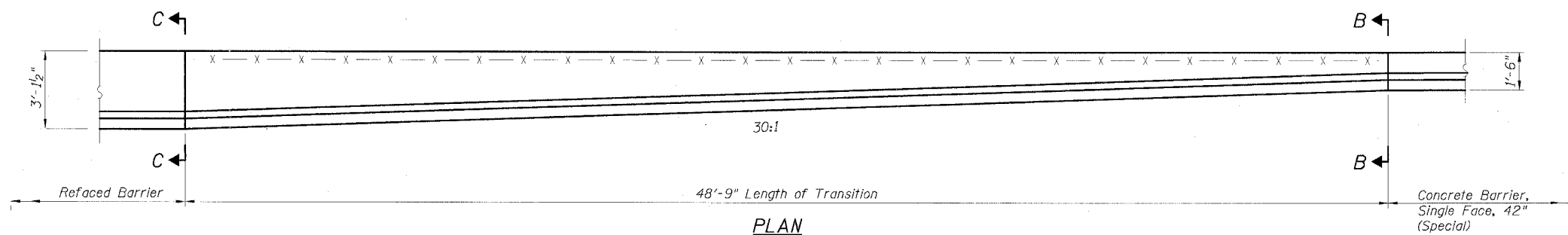


STATE OF ILLINOIS
DEPARTMENT OF TRANSPORTATION

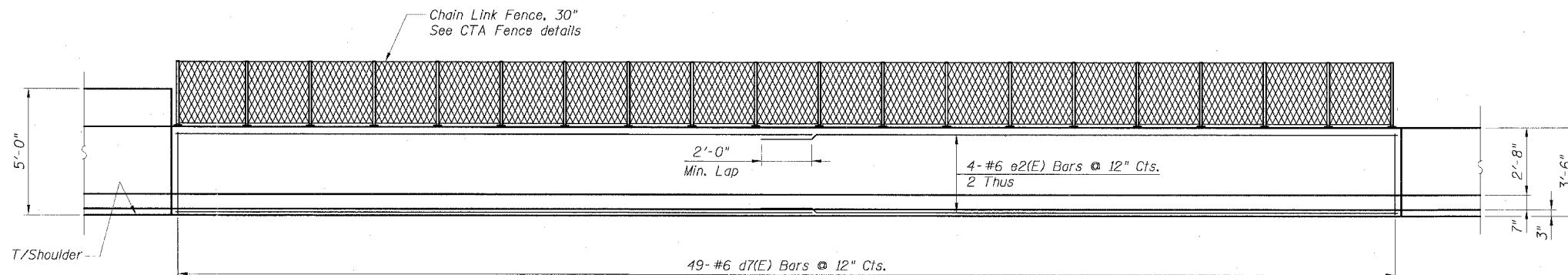
F.A.I. RTE.	SECTION	COUNTY	TOTAL SHEETS	SHEET NO.
90/94		COOK	598	422
STA.	TO STA.			
FED. ROAD DIST. NO. 1	ILLINOIS	FED. AID PROJECT		
* (1818, ETC, 2324.6-1P1R-9			62302	

BILL OF MATERIAL

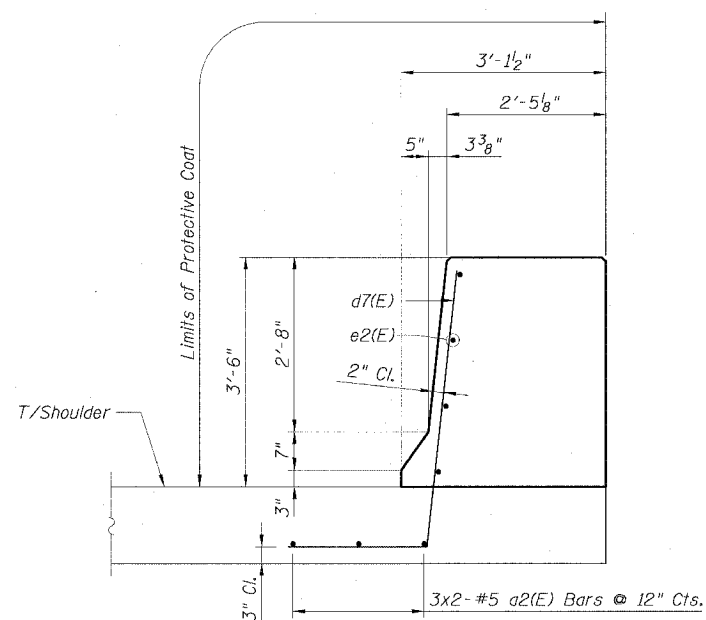
Bar	No.	Size	Length	Shape
a2(E)	6	#5	25'-3"	
d7(E)	49	#6	6'-9"	
e2(E)	8	#6	25'-3"	
Item	Unit	Quantity		
Reinforcement Bars, Epoxy Coated	Lbs.	1,030		
Concrete Structures	Cu. Yd.	11.7		
Protective Coat	Sq. Yd.	28.5		



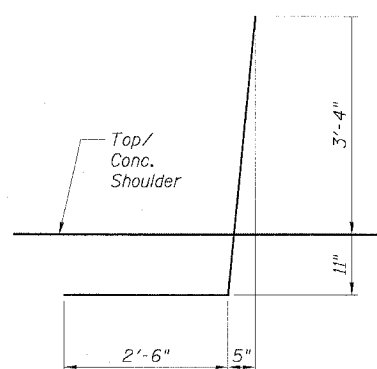
PLAN



ELEVATION



SECTION C-C



d7(E) BAR

NOTES:

1. Provide joints in facing to match those in the Existing Barrier.
2. For Refaced Barrier details, see Sheets B2 and B3.
3. For Concrete Barrier, Single Face, 42" (Special), see Civil details.
4. For locations of Transition, see Roadway Plans.

Sheet B14 of 18

REVISIONS	
NAME	DATE

ILLINOIS DEPARTMENT OF TRANSPORTATION
F.A.I. 90/94 (DAN RYAN EXPRESSWAY)
EXISTING BARRIER WALL MODIFICATIONS
AT CTA STATIONS
PROPOSED T/S SHOULDER BELOW EXISTING
REFACED BARRIER TO NEW 42" BARRIER
TRANSITION DETAILS

SCALE: None DRAWN BY: CHD
DATE: JULY 7, 2005 CHECKED BY: RDP