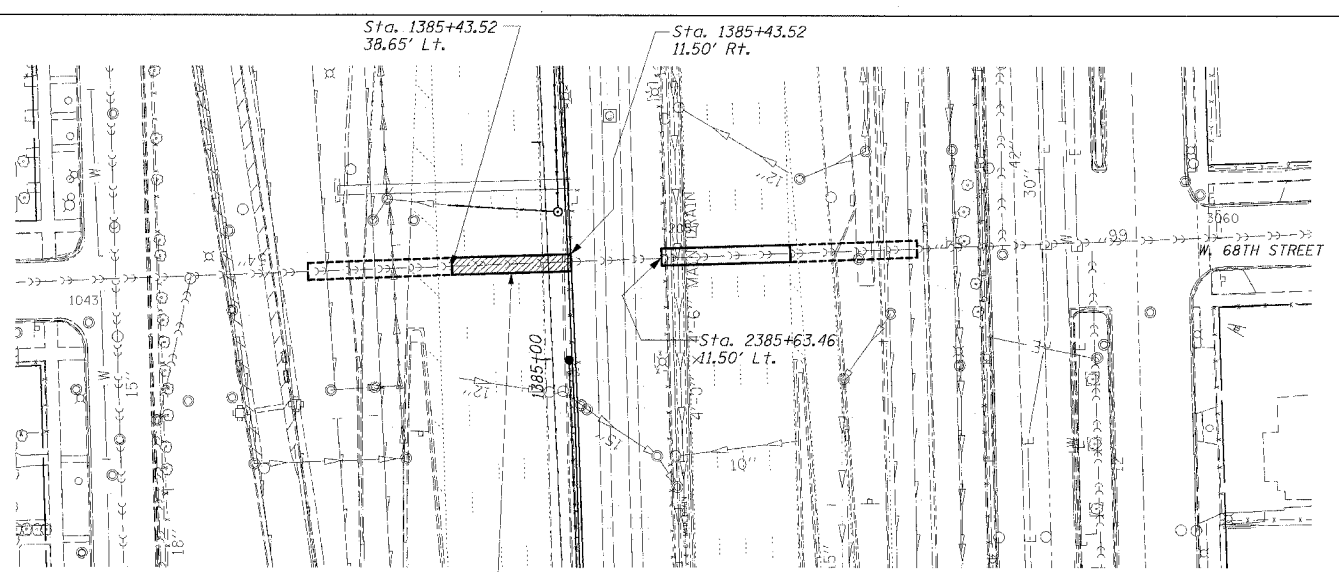
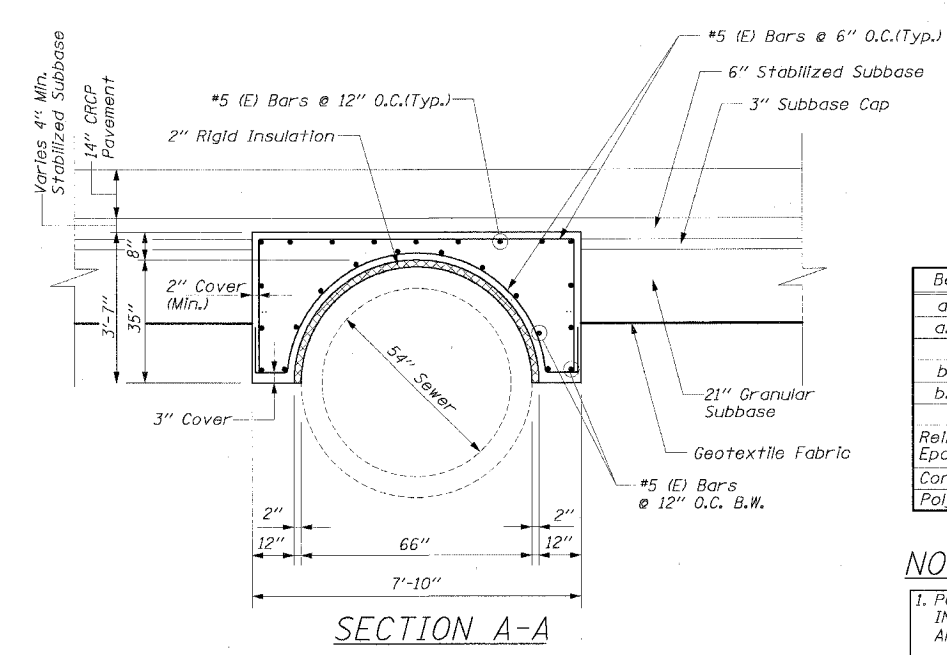


F.A.I. RTE.	SECTION	COUNTY	TOTAL SHEETS	SHEET NO.
94/90 *		COOK	598	389
STA.		TO STA.		
FED. ROAD DIST. NO.		ILLINOIS FED. AID PROJECT		
62302		• (1818, ETC., 2324.6-1)PR-9		



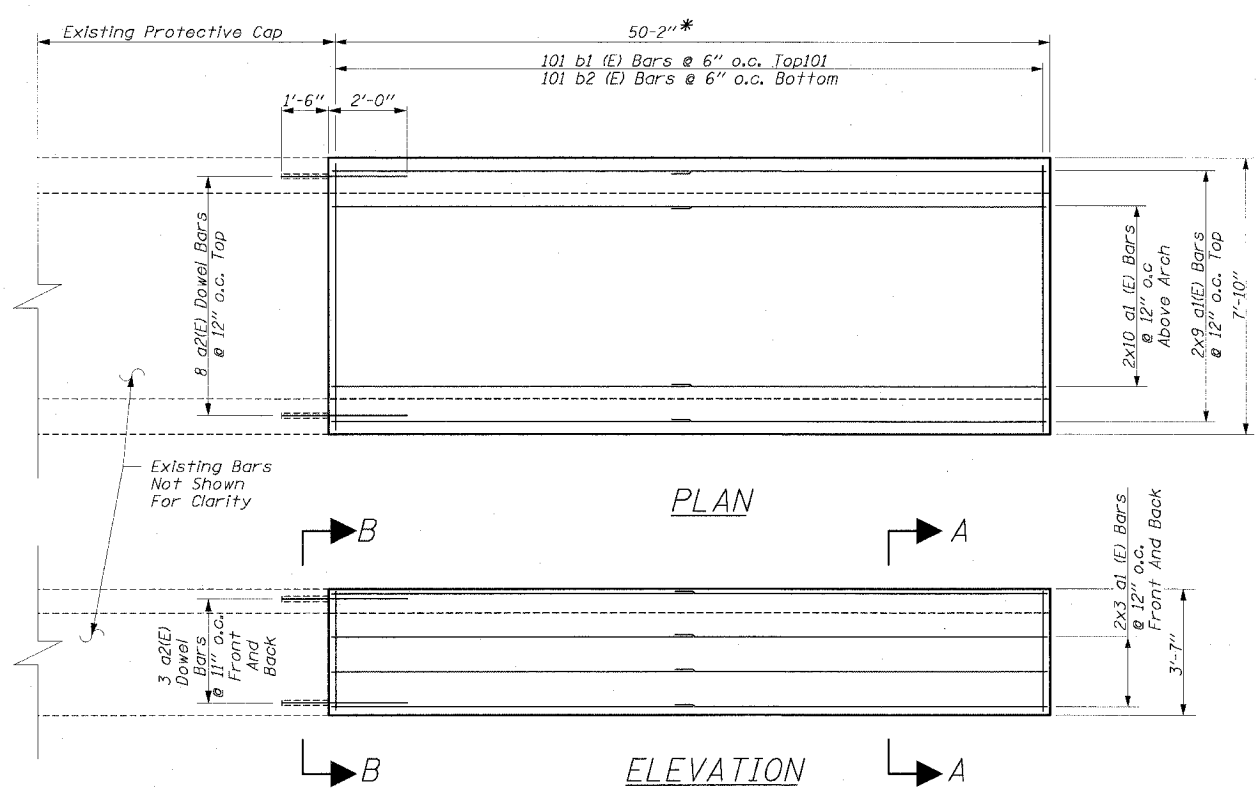
TOPOGRAPHIC PLAN



BILL OF MATERIAL

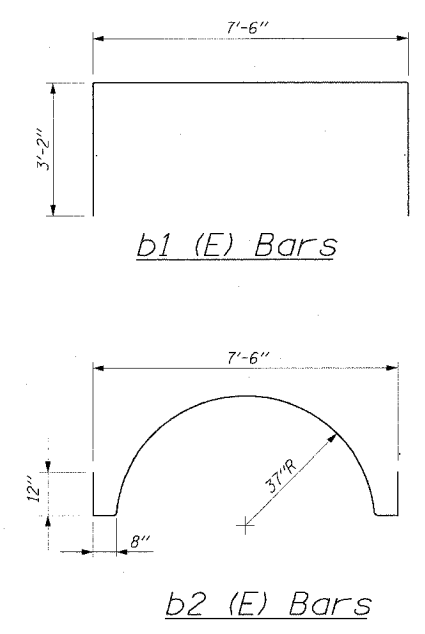
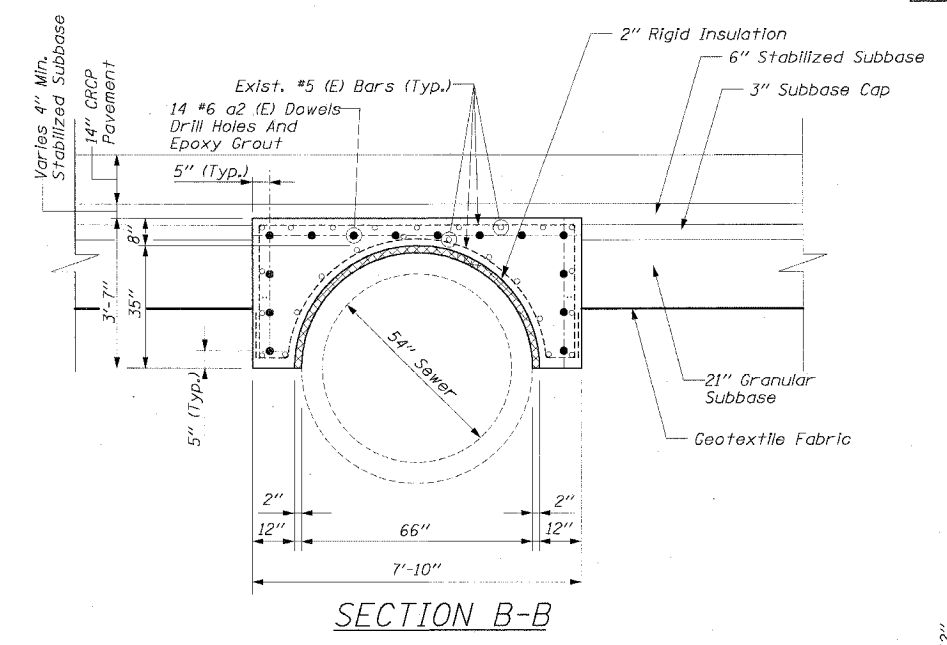
Bar	No.	Size	Length	Shape
a1(E)	50	#5	26'-0"	—
a2(E)	14	#6	3'-6"	—
b1(E)	101	#5	13'-10"	⌒
b2(E)	101	#5	13'-0"	⌒
Reinforcement Bars, Epoxy Coated	Pounds	4,260		
Concrete Structures	Cu. Yd.	27.3		
Polystyrene Insulation	Sq. Ft.	460		

- NOTES
- POLYSTYRENE INSULATION SHALL BE INCLUDED IN 54" SEWER PROTECTION CAP CONSTRUCTION, AND WILL NOT BE PAID FOR SEPARATELY.
 - DRILLING AND EPOXY GROUTING OF a2(E) BARS IS PAID FOR UNDER REINFORCEMENT BARS, EPOXY COATED.



*Field Verify Dimension Prior to Ordering Reinforcement Bars

- NOTES:
- All bars designated (E) must be epoxy coated.
 - All bars must be #5 bars with a minimum overlap of 2'-2".
 - All dowel bars must be #6 bars.
 - Sewer location based on existing plans. Field adjustment of lengths may be necessary.



REVISIONS		DATE
NAME		

ILLINOIS DEPARTMENT OF TRANSPORTATION
F.A.I. 94/90 (DAN RYAN EXPRESSWAY)
31ST STREET TO 71ST STREET
SB EXPRESS LANE RECONSTRUCTION
CIVIL DETAILS - 68TH STREET CROSSING
54" SEWER PROTECTION CAP

SCALE: NOT TO SCALE
DATE: 7/7/05

DRAWN BY: TAI
CHECKED BY: PJM

CDT-2
06/24/2005 12:09:32 PM