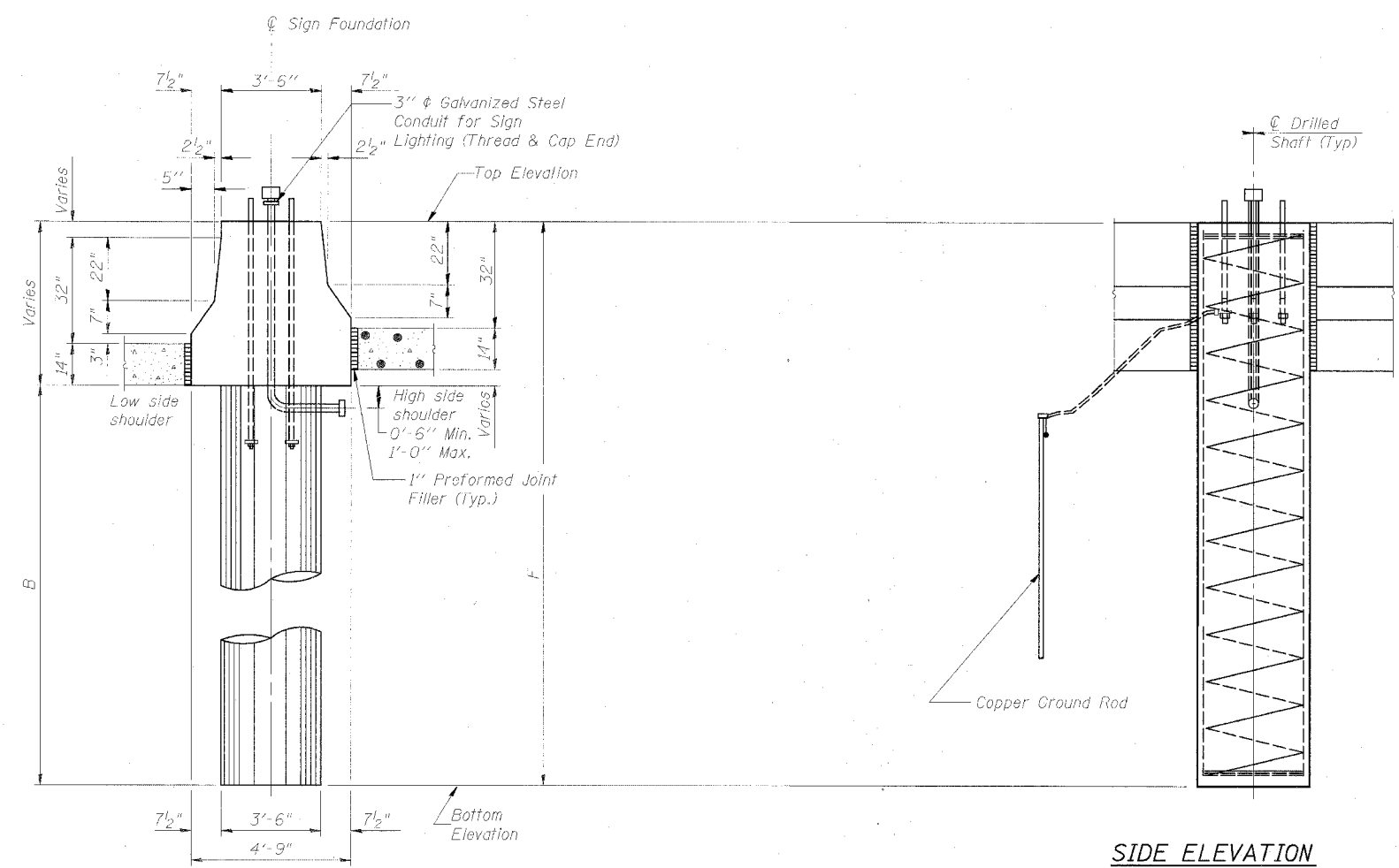
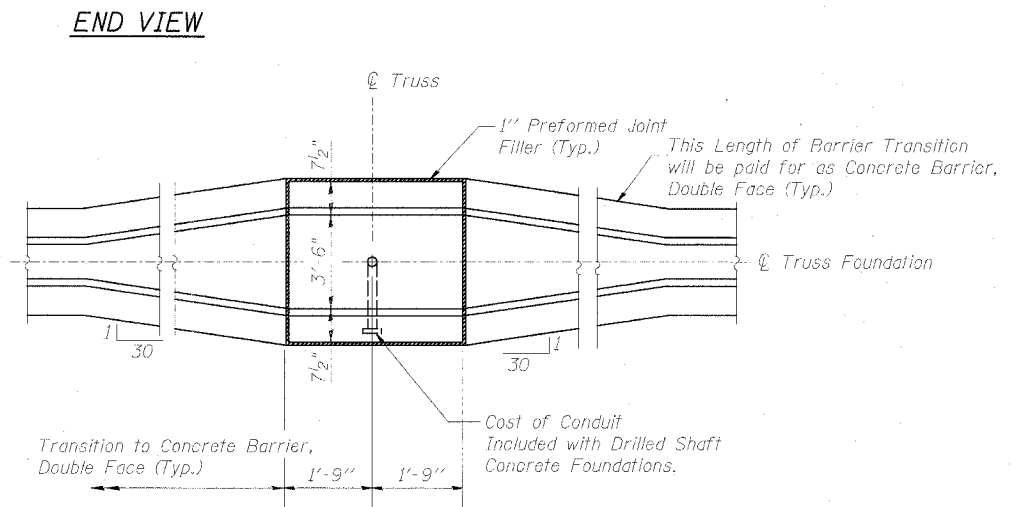


ROUTE NO.	SECTION	COUNTY	LEGAL SHEETS	SHEET NO.
94/90		COOK	598	334
FED. ROAD DIST. NO. 1	ILLINOIS	FED. AID PROJECT		

• (1818, ETC, 2324.6-1P) R-9
62302



SIDE ELEVATION
Concrete Foundation poured monolithically with no construction joint.



PLAN

Structure Number	Station
1C016T094R057.5	1486+00

SGN-37

DESIGNED	RLK	20
CHECKED	EL	EXAMINED
DRAWN	RLK	PASSED
CHECKED	PJM	ENGINEER OF BRIDGES AND STRUCTURES

MODIFIED BY EK ENGINEERS, INC. FROM OS4-MED

**CANTILEVER SIGN STRUCTURES
MEDIAN SUPPORT FOUNDATION DETAILS**

ILLINOIS DEPARTMENT OF TRANSPORTATION
F.A.I. 94/90 (DAN RYAN EXPRESSWAY)
31st STREET TO 71st STREET
(SB Express Lanes)
DOUBLE FACE MEDIAN SUPPORT FOUNDATION

14-03000190.35/Con 14845/CA/ADDV15/SS/50616/PL151