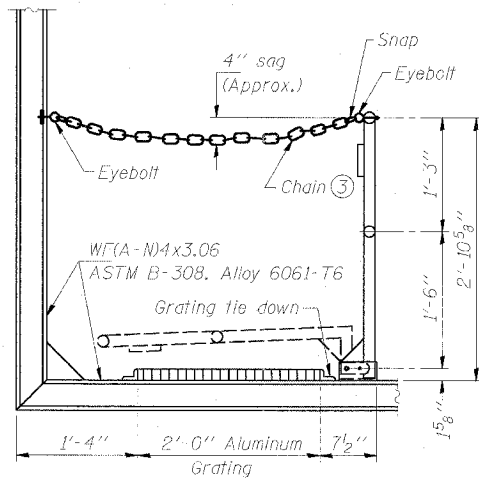


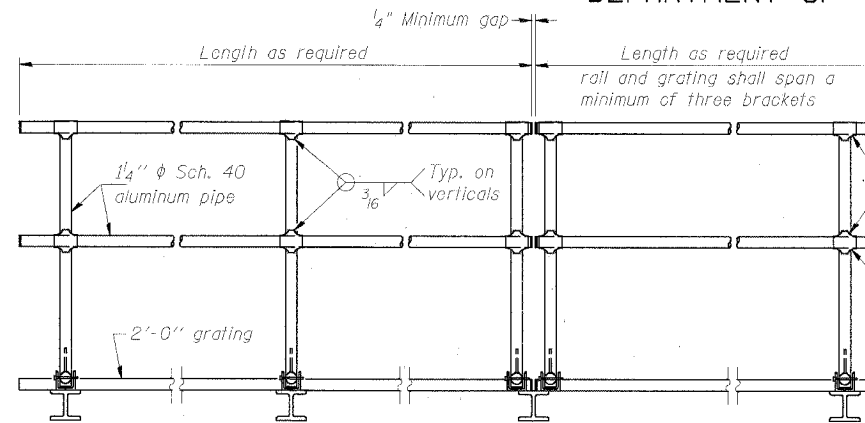
STATE OF ILLINOIS
DEPARTMENT OF TRANSPORTATION

ROUTE NO.	DIVISION	COUNTY	PROJECT	SHEET
94/90		COOK	598	332
FED. ROAD DIST. NO. 1	ILLINOIS	FED. AID PROJECT		
62302 (1818, ETC, 2324.6-1P/R-9)				



SIDE ELEVATION

(Showing Safety Chain W/O Sign)



FRONT ELEVATION

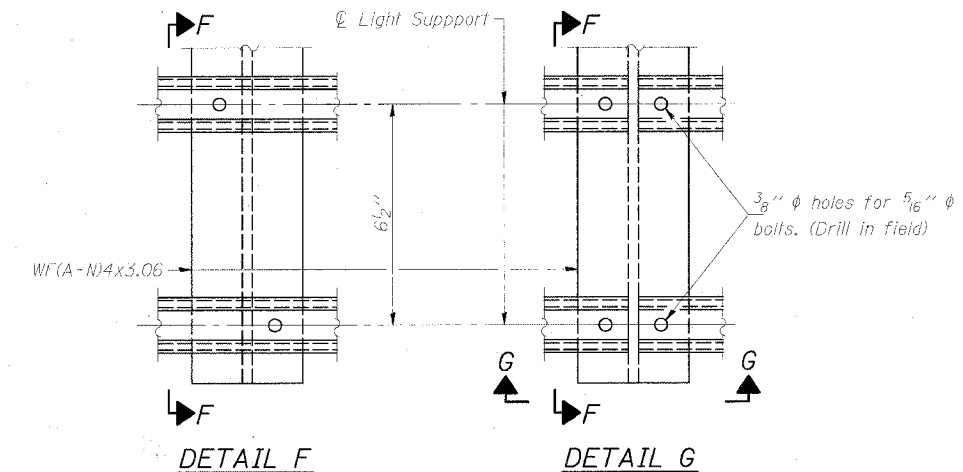
HANDRAIL DETAILS

Handrail pipe shall be ASTM B241, Alloy 6063-T6 or Alloy 6061-T6.

① Install standard force-fit end caps or weld 1/8" end plates with 1/8" c.f.w. and grind smooth. (All rail ends)

Fittings-ASTM B26, Alloy 356-T7

② Horizontal handrail member shall be continuous thru fitting. Provide 1/16" hole in fitting for 3/8" bolt. Field drill 1/16" hole in horizontal rail member. Provide locknut and two stainless steel washers for bolt. (Use 5/16" eyebolts in 1/16" holes on top rail at ends only.)



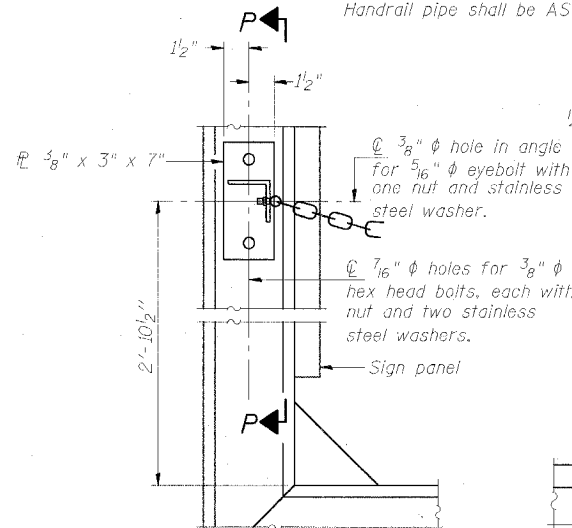
DETAIL F

DETAIL G

SECTION F-F

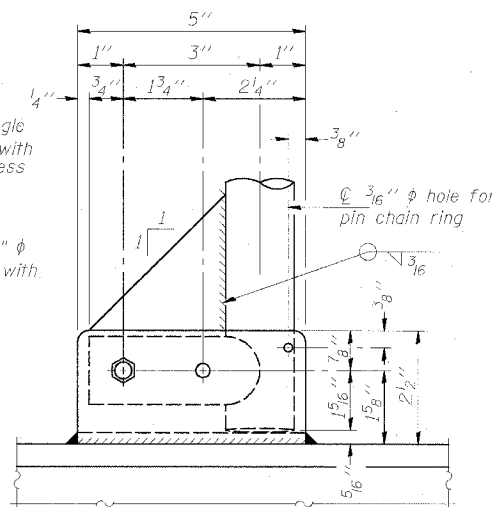
LIGHTING FIXTURE MOUNTS (IF REQUIRED)

⑤ Field cut ends of light support channels shall be free of burrs or hazardous projections and coated with zinc-rich primer or equivalent.

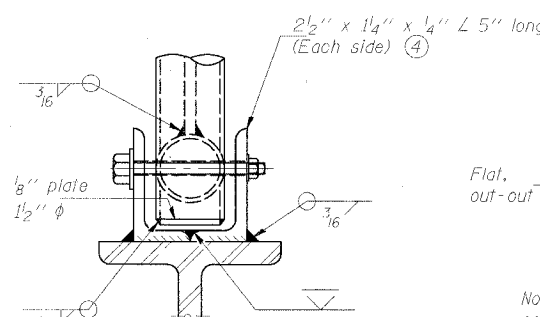


ALTERNATE SAFETY CHAIN ATTACHMENT

(With Sign Present)
Items not shown same as "Side Elevation" of "Handrail Details"

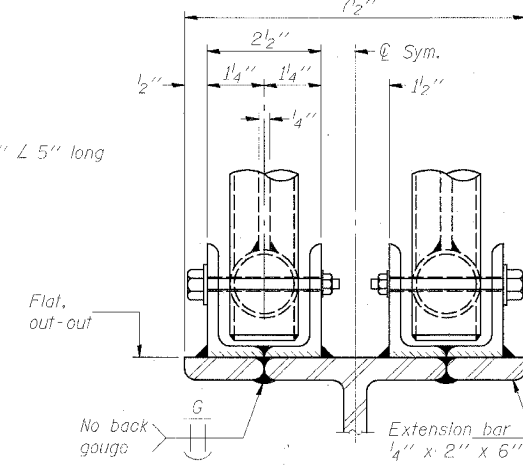


SIDE ELEVATION



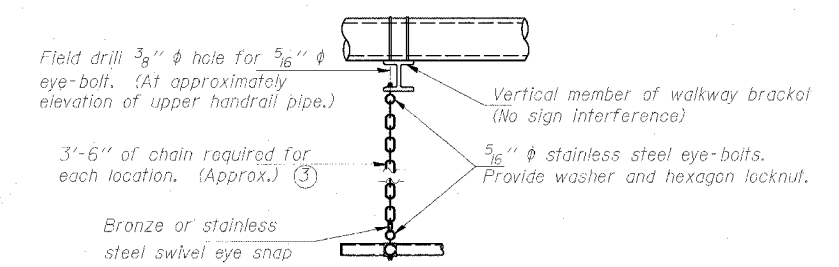
FRONT ELEVATION

Details not shown same as "ELEVATION" at right.



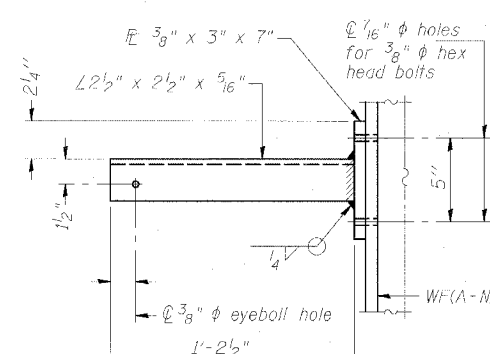
ELEVATION AT HANDRAIL JOINT ④

Details not shown same as "FRONT ELEVATION"

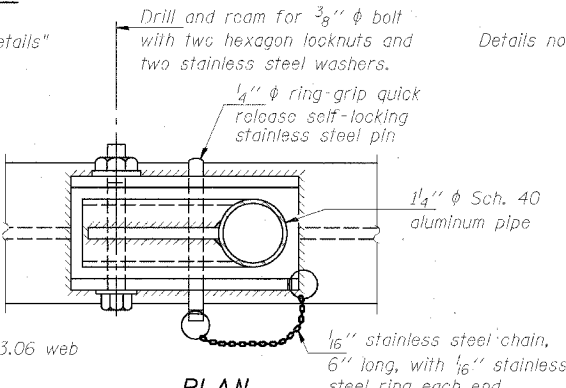


SAFETY CHAIN

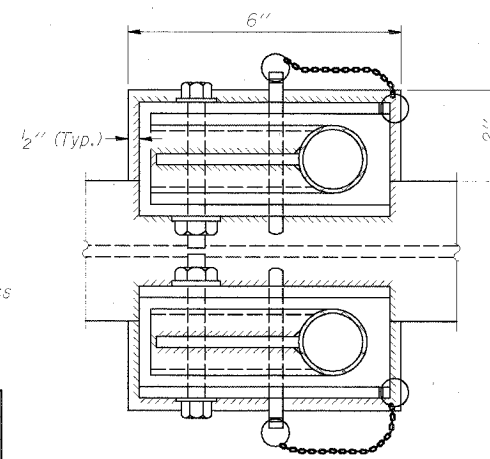
One required for each end of each walkway.



SECTION P-P

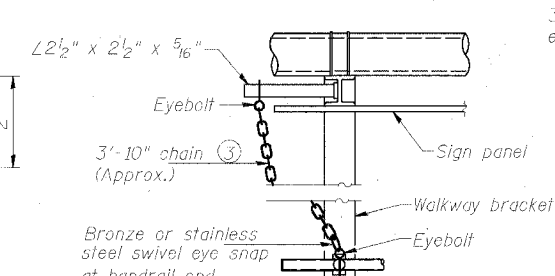


PLAN DETAIL E HANDRAIL HINGE



PLAN AT HANDRAIL JOINT

Details not shown same as "PLAN"



ALTERNATE SAFETY CHAIN ATTACHMENT

Details not shown similar to "Safety Chain" Details (Walkway omitted for clarity)

③ 3/16" galvanized steel chain, approximately 12 links per foot. Chain to be hot dip galvanized after manufacture and suitable for prolonged exterior exposure. Alternate materials may be substituted with the Engineer's approval.

④ Extrusions may be used in lieu of the details shown, with approval of the Engineer.

DESIGNED	MSA	20
CHECKED	AS	EXAMINED
DRAWN	MD	PASSED
CHECKED	MSA	ENGINEER OF STRUCTURAL SERVICES
		ENGINEER OF BRIDGES AND STRUCTURES

NUMBER	REVISION	DATE

SGN-35

**CANTILEVER SIGN STRUCTURES
HANDRAIL DETAILS
ALUMINUM TRUSS & STEEL POST**

ILLINOIS DEPARTMENT OF TRANSPORTATION
F.A.I. 94/90 (DAN RYAN EXPRESSWAY)

31ST STREET TO 71ST STREET
SB EXPRESS LANE RECONSTRUCTION
OVERHEAD SIGN STRUCTURES CANTILEVER