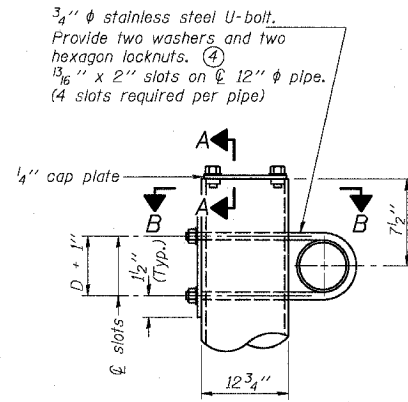
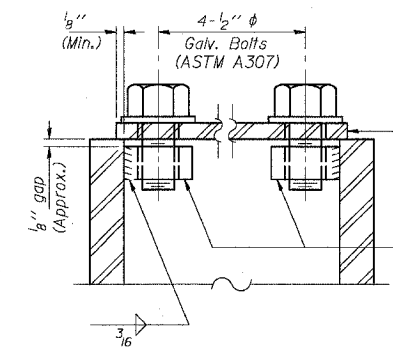


STATE OF ILLINOIS
DEPARTMENT OF TRANSPORTATION

ROUTE NO.	SECTION	COUNTY	SHEET NO.	TOTAL SHEETS
94/90	*	COOK	598	315
FED. ROAD DIST. NO. 1	ILLINOIS	FED. AID PROJECT-		
62302 *11818, ETC, 2324.6-1PR-9				

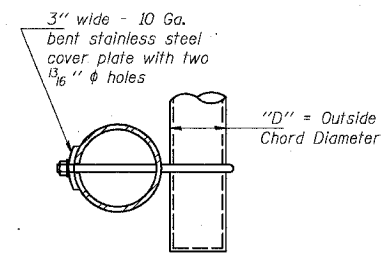


DETAIL A

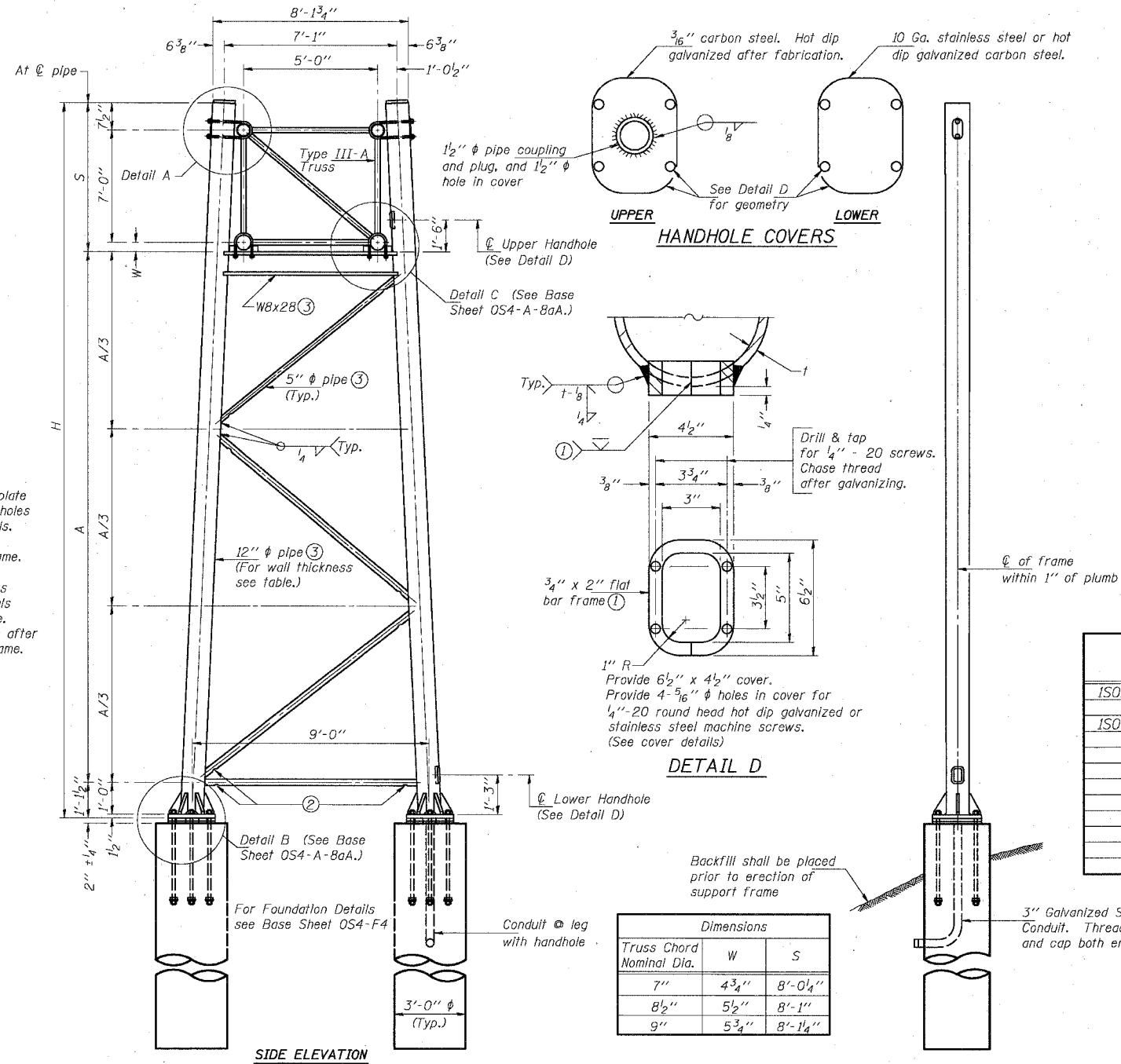


SECTION A-A

As an alternate to bolts, may use galvanized drive-fit caps installed after galvanizing frame.



SECTION B-B



DETAIL D

Dimensions		
Truss Chord Nominal Dia.	W	S
7"	4 3/4"	8'-0 1/4"
8 1/2"	5 1/2"	8'-1"
9"	5 3/4"	8'-1 1/4"

TRUSS SUPPORT DETAILS
(12" ϕ Pipe-Type III-A Truss)

Support Design Loads: See Base Sheet OS-A-1 for design and loading criteria.
Load combinations checked include deadload plus:
a) 100% wind normal to sign, 20% parallel to sign
b) 60% wind normal to sign, 30% parallel to sign

- In lieu of fabricated handhole frame as shown, may cut from 2" plate (rolling direction vertical). All cut faces to be ground to ANSI Roughness of 500 \sqrt{in} or less.
- Galvanizing vent holes of adequate size shall be provided on underside at each end of bracing pipes. Alternately, holes may be provided in wall of pipe column. All vent holes shall be drilled and de-burred. (Typ.)
- Steel pipe, plate, carbon steel handhole covers and rolled sections shall be hot dip galvanized after fabrication. Painting is not permitted. See Base Sheet OS-A-1.
- See General Notes for fasteners.
- Dimensions shown are based on selection criteria in the Sign Structures Manual. Nonstandard applications must have dimensions verified or amended as appropriate.

Structure Number	Station	Support		Pipe Wall Thickness	H	A
		Left	Right			
ISO161094R055.64	3586+80		X	0.33	25.11'	15.96'
ISO161094R055.64	3586+80	X		0.33	24.22'	15.07'

SGN-18

OVERHEAD SIGN STRUCTURES
ALUMINUM WALKWAY DETAILS

ILLINOIS DEPARTMENT OF TRANSPORTATION
F.A.I. 94/90 (DAN RYAN EXPRESSWAY)
31ST STREET TO 71ST STREET
SB EXPRESS LANE RECONSTRUCTION

OVERHEAD SIGN STRUCTURES

DESIGNED	SL
CHECKED	AS
DRAWN	MD
CHECKED	SL

EXAMINED	ENGINEER OF STRUCTURAL SERVICES
PASSED	ENGINEER OF BRIDGES AND STRUCTURES

OS4-A-8a 11/1/2002

NUMBER	REVISION	DATE