

WA055



HANSON PROFESSIONAL SERVICES INC.
 815 Commerce Drive, Suite 200
 Oak Brook, Illinois 60523
 Telephone: 630.990.3800
 Fax: 630.990.3801

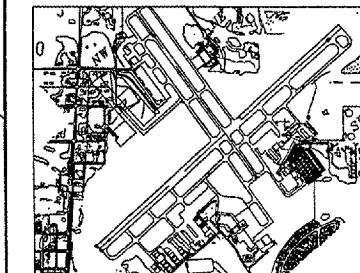


Waukegan Regional Airport
 Waukegan Regional Port District

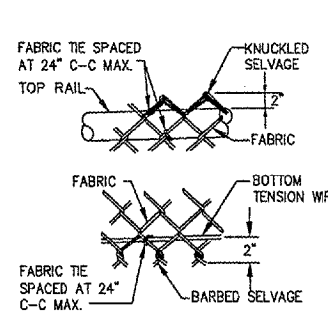
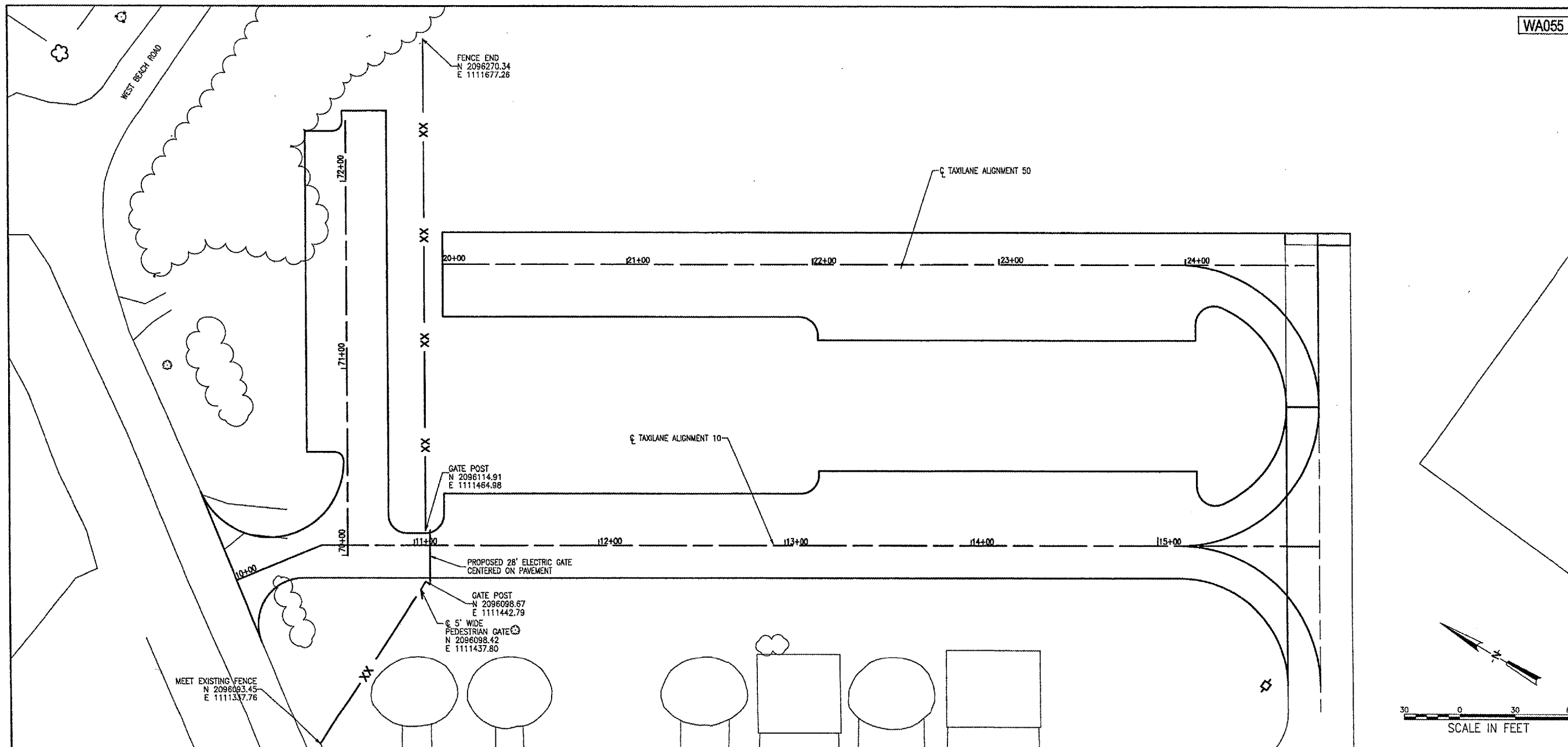
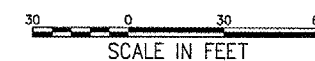
3580 North McAree Road
 Waukegan, Illinois 60087
 Phone: 847.244.0055
 Fax: 847.244.3813

**REPAIR SELECTED PAVEMENT
 AREAS, REHABILITATE HANGAR
 TAXILANES AND SERVICE ROAD,
 AND CONSTRUCT NEW HANGAR
 PAVEMENTS**

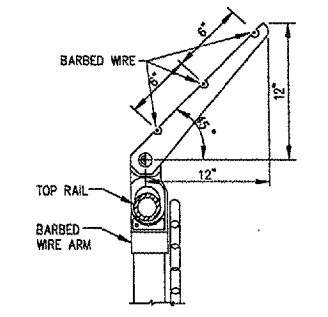
A.I.P. PROJ.: 3-17-0105-B30
 I.L. PROJ.: UGN-3449



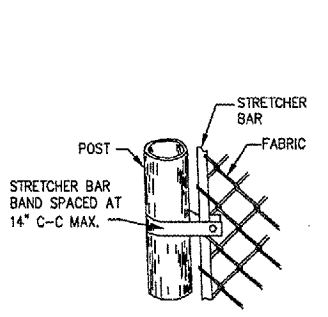
KEY MAP



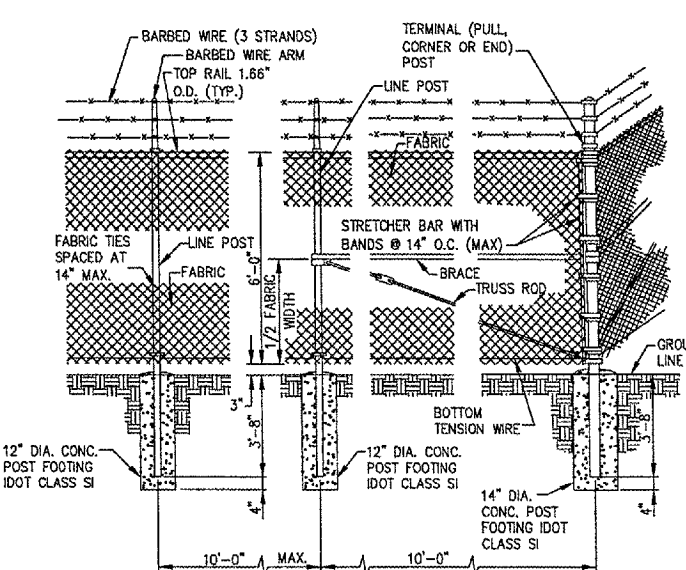
FABRIC TIES



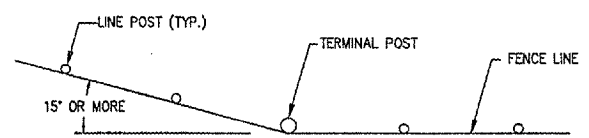
BARBED WIRE ARM



STRETCHER BAR BAND



TERMINAL (PULL, CORNER OR END) POST



WHEN FENCE LINE HAS A CHANGE IN DIRECTION OF 15° OR MORE, A TERMINAL POST SHALL BE PLACED AS SHOWN ABOVE. WHERE ANGLE IS LESS THAN 15° AND EXISTING CONDITIONS REQUIRE A TERMINAL POST, THEY SHALL BE PLACED AS DIRECTED BY THE RESIDENT ENGINEER.

INSTALLATION AT CORNERS

FENCING NOTES

- ALL FENCE, FABRIC, POSTS, GATES, TENSION WIRE, RODS, BRACES, ARMS AND MISCELLANEOUS FITTINGS SHALL BE GALVANIZED.
- BARBED WIRE FOR FENCE AND GATES SHALL BE GALVANIZED STEEL.
- FENCE AND GATE HEIGHT SHALL BE 6'-0" AS SHOWN.
- PULL POSTS SHALL BE PLACED AT LOCATIONS DETERMINED BY THE RESIDENT ENGINEER. THEY SHALL BE PLACED AT 660 FOOT INTERVALS BETWEEN POSTS TO WHICH THE ENDS OF THE FABRIC ARE CLAMPED OR MIDWAY BETWEEN SUCH POSTS WHEN THE DISTANCE IS LESS THAN 1,320 FEET AND GREATER THAN 660 FEET.
- GATE KEEPERS SHALL BE PROVIDED TO HOLD GATES IN THE OPEN POSITION. THEY SHALL BE LOCATED AND INSTALLED AS DIRECTED BY THE RESIDENT ENGINEER.
- IN LOCATIONS WHERE THE FENCE IS ALONG THE BITUMINOUS PAVEMENT EDGE THE PAVEMENT IS TO BE SAWCUT SQUARE TO ALLOW FOR PROPER INSTALLATION AND PLACEMENT OF THE FENCE POSTS AND FOUNDATION. SAWCUT COST INCIDENTAL TO FENCE.
- SEE FENCE DETAIL SHEET FOR ADDITIONAL INFORMATION.
- SEE SPECIAL PROVISIONS.

DETAILS SHOWN ARE NOT TO SCALE

No.	Drawing Issue Description	Date	By

Date: MAY 06, 2005
 Sheet Title:

FENCE PLAN AND DETAILS

Project Number	831-04TXD
AAP Layout By	02/28/05
AAP Design By	02/28/05
TMM Reviewed By	05/05/05
AAP Drawn By	
Sheet No.	40