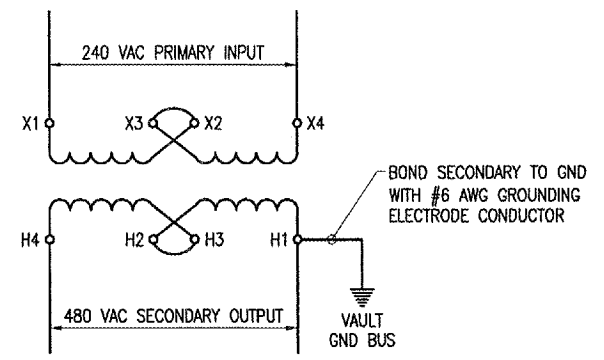


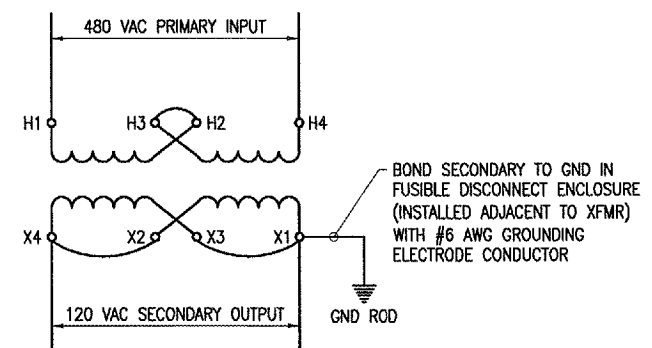
- NOTES**
1. SEE VAULT ELECTRICAL ONE-LINE DIAGRAMS FOR ADDITIONAL INFORMATION ON EQUIPMENT AND WIRING.
 2. FIELD VERIFY LOCATION OF STEP-DOWN TRANSFORMER INSTALLATION WITH RESIDENT ENGINEER.
 3. LIQUID TIGHT FLEXIBLE METAL CONDUIT SHALL BE U.L. LISTED SUITABLE FOR GROUNDING AND SUNLIGHT RESISTANT.

RUNWAY 9 PLASI STEP-DOWN TRANSFORMER ELEVATION




NOTES: CONFIRM WIRING WITH RESPECTIVE TRANSFORMER MFR.

240 VAC TO 480 VAC STEP UP TRANSFORMER CONNECTION DIAGRAM FOR ACME T-2-53013-S TRANSFORMER



NOTES: CONFIRM WIRING WITH RESPECTIVE TRANSFORMER MFR.

480 VAC TO 120 VAC STEP DOWN TRANSFORMER CONNECTION DIAGRAM FOR ACME T-2-53013-S TRANSFORMER

BY	
REVISION	
DATE	
TAYLORVILLE MUNICIPAL AIRPORT TAYLORVILLE, ILLINOIS	
IL PROJ. NO. 828-03RWYGD 0800	IL PROJ. NO. 3-17-0100-B7
File Name: E-502.DWG	Scale: NONE
Date: 04/22/05	
LAYOUT: KNL	02/03/05
DRAWN: MW	02/03/05
REVIEWED: CAH	02/03/05
 Hanson Professional Services Inc. 1026 South State Street Springfield, Illinois 62760-2886 Offices Nationwide	
CONSTRUCT RUNWAY 9-27	
ELECTRICAL DETAILS	
73	
73 of 127 sheets	