

THE LOCATION OF UNDERGROUND UTILITIES AS INDICATED ON THE PLANS HAS BEEN OBTAINED FROM EXISTING RECORDS. NEITHER THE OWNER NOR THE ENGINEER ASSUMES ANY RESPONSIBILITY WHATSOEVER, IN RESPECT TO THE ACCURACY OR SUFFICIENCY OF THE INFORMATION AND THERE IS NO GUARANTEE, EITHER EXPRESSED OR IMPLIED, THAT THE CONDITIONS ARE REPRESENTATIVE OF THOSE TO BE ENCOUNTERED IN THE CONSTRUCTION.

NOTE:
THE COST OF ALL TURF AND PAVEMENT DUCT MARKERS SHALL BE INCIDENTAL TO THE DUCT. THE COST OF ALL CABLE MARKERS SHALL BE INCIDENTAL TO THE CABLE.

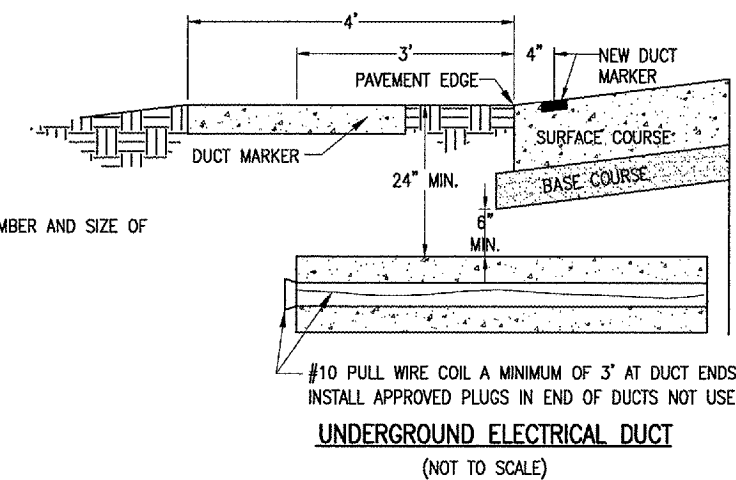
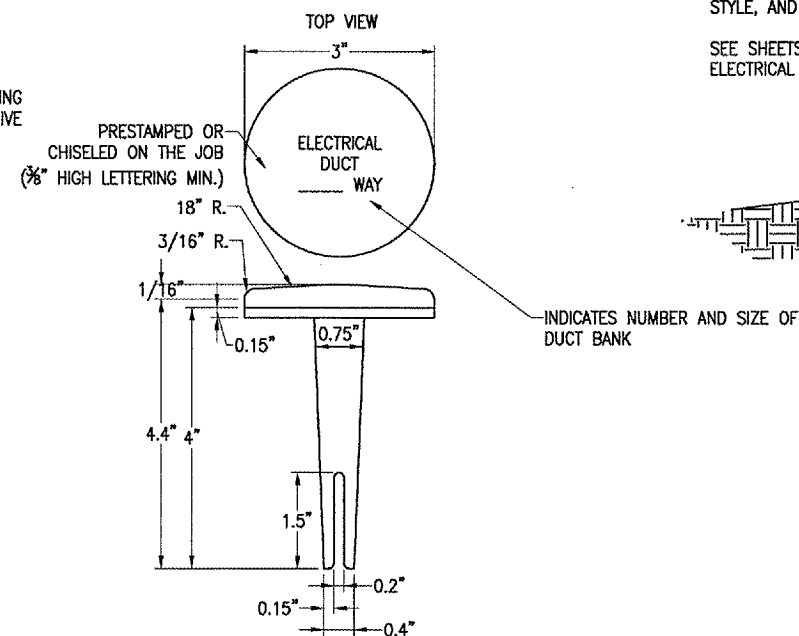
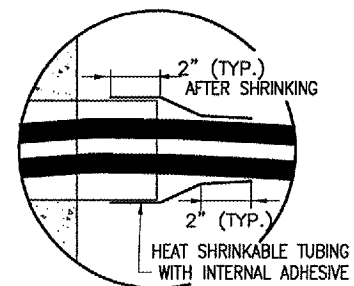
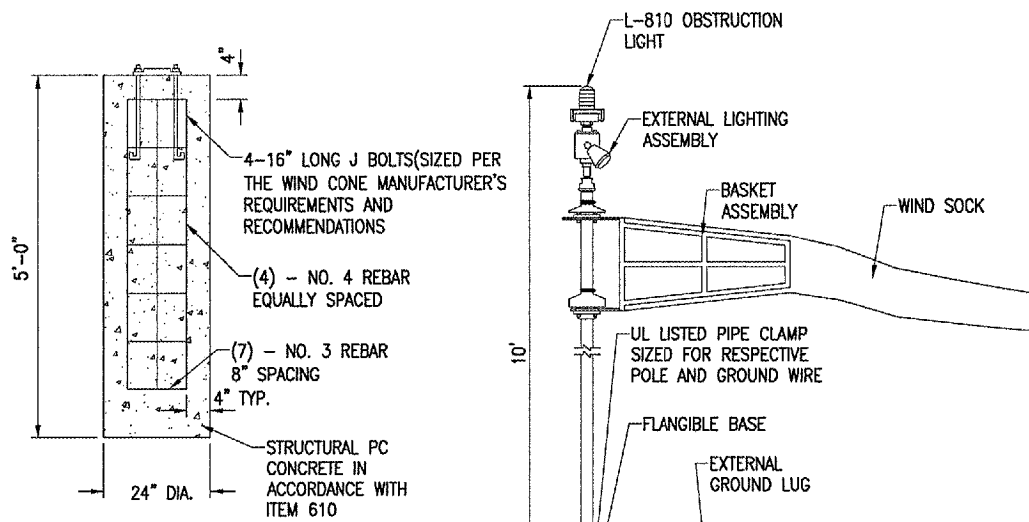
BITUMINOUS PAVEMENT DUCT MARKER AND CONCRETE DUCT MARKER TO BE PROVIDED AT EACH END OF EACH DUCT AS SHOWN ON THE LOCATION PLAN. FOR CONCRETE PAVEMENT, THE LETTER "D" SHALL BE IMPRESSED IN THE PAVEMENT INSTEAD OF THE MARKER. THE LETTER SHALL BE IMPRESSED AS DESCRIBED IN NOTE 4.

CABLE MARKERS SHALL BE PLACED AT CHANGES OF DIRECTION AND EVERY 200' ALONG CABLE RUNS.

LETTERS 4" HIGH, 3" WIDE WITH WIDTH OF STROKE 1/2" AND 1/4" DEEP. ALL LETTERS, NUMBERS AND ARROWS TO BE IMPRESSED.

GENERAL NOTES
SEE LIGHTING LAYOUT SHEET FOR SIGN LEGEND, LOCATION, TYPE, SIZE, STYLE, AND CLASS.

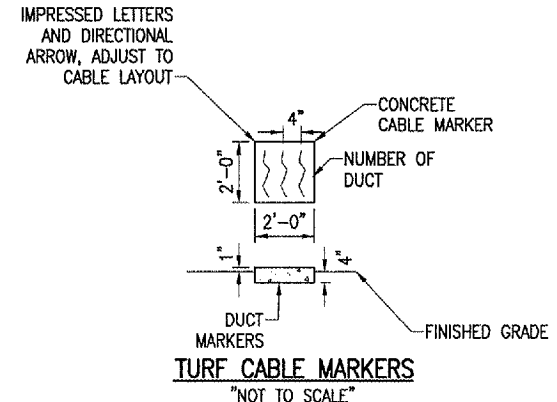
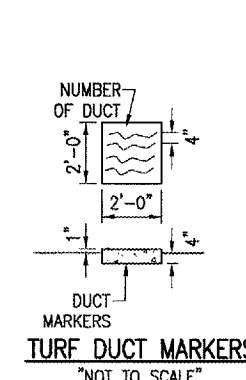
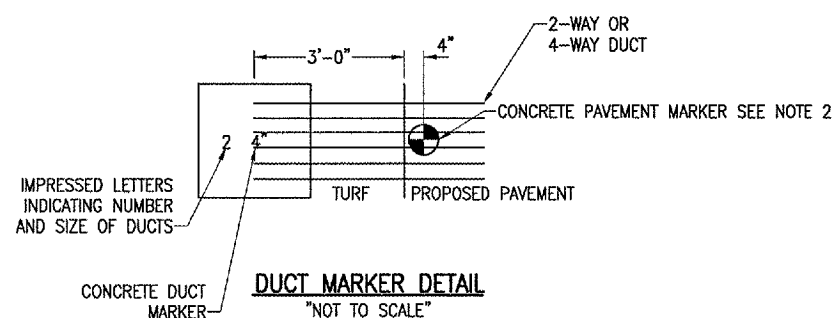
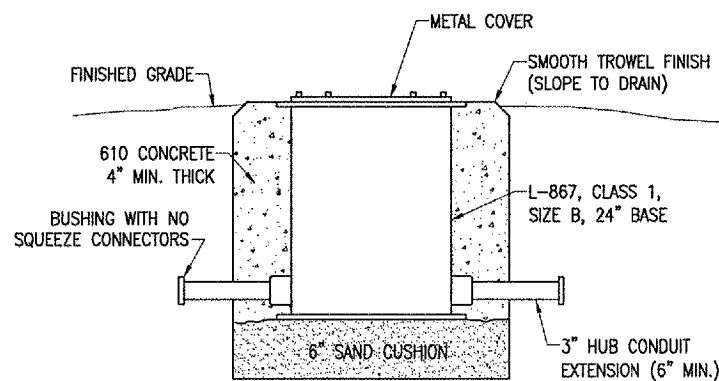
SEE SHEETS 16 THROUGH 17 FOR ELECTRICAL NOTES



EXTERNALLY LIGHTED L806 WIND CONE
"NOT TO SCALE"

NOTE:
WIND CONE SHALL ALSO INCLUDE INTERNAL LIGHTING OPTION

NOTE:
TOP OF MARKER SHALL BE FLUSH WITH FINISHED PAVEMENT SURFACE. MARKER MAY BE INSTALLED IN A DRILLED HOLE AND SECURED WITH EPOXY GLUE.



REVISION	DATE	BY

TAYLORVILLE MUNICIPAL AIRPORT
TAYLORVILLE, ILLINOIS

IL PROJ.: TAZ-3166 A.I.P. PROJ.: 3-17-0100-B7

Proj. No. 828-03RWYGD.0800	02/18/05
File Name R-549ELE.DWG	03/11/05
Scale NOT TO SCALE	03/28/05
Date 03/11/05	
LAYOUT	RAW
DRAWN	MOR
REVIEWED	CAH



CONSTRUCT RUNWAY 9-27
WIND CONE ELEVATION DETAIL

APR 22, 2005 11:26 AM RAW I:\AIRPORTS\TAYLORVILLE\B28-03RWYGD\AIRPORT\SHEETS\R-549ELE.DWG -- ELEC DETAILS