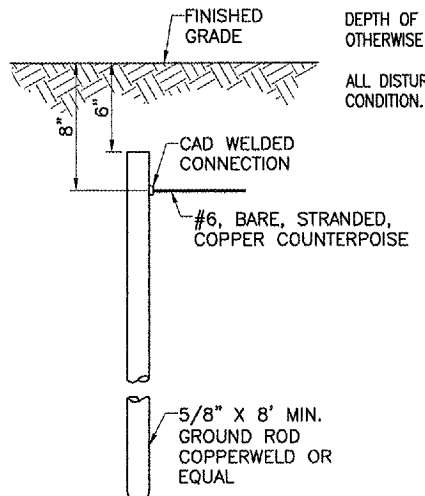
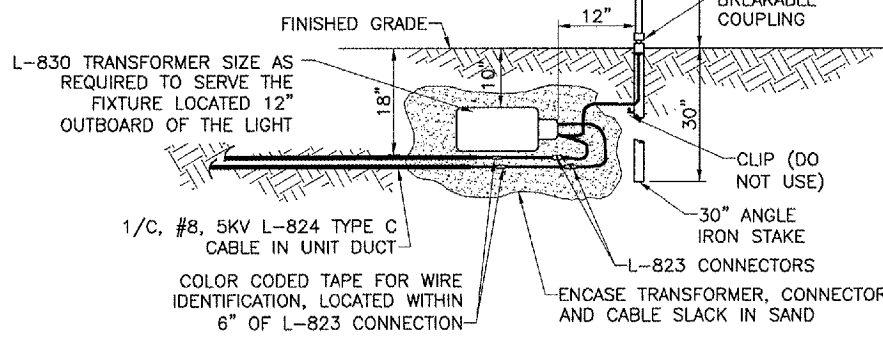


NOTES:
 DETAIL NUMBERS INDICATE NO. OF CABLES.
 TRENCHES WITH MORE THAN SEVEN CABLES SHALL BE INCREASED 3" IN WIDTH FOR EACH ADDITIONAL CABLE; IF SPECIFIED ON PLANS TWO PARALLEL TRENCHES MAY BE CONSTRUCTED.
 DEPTH OF TRENCHES SHALL BE AS SHOWN ABOVE UNLESS OTHERWISE SPECIFIED ON THE PLANS.
 ALL DISTURBED SURFACES SHALL BE RESTORED TO THEIR ORIGINAL CONDITION. COST IS INCIDENTAL TO TRENCH.

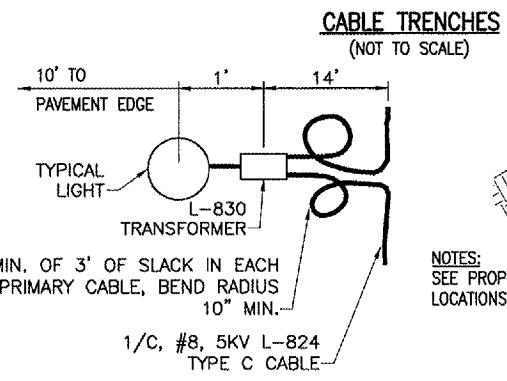


NOTES:
 TYPE AND MINIMUM NUMBER OF GROUND RODS SHALL BE AS SPECIFIED ON THE PLAN.
 THE RESISTANCE TO GROUND OF THE COUNTERPOISE GROUNDING SYSTEM SHALL NOT EXCEED 25 OHMS.
 COST OF GROUND RODS IS INCIDENTAL TO THE ASSOCIATED ITEMS REQUIRING GROUNDING UNLESS OTHERWISE SPECIFIED.

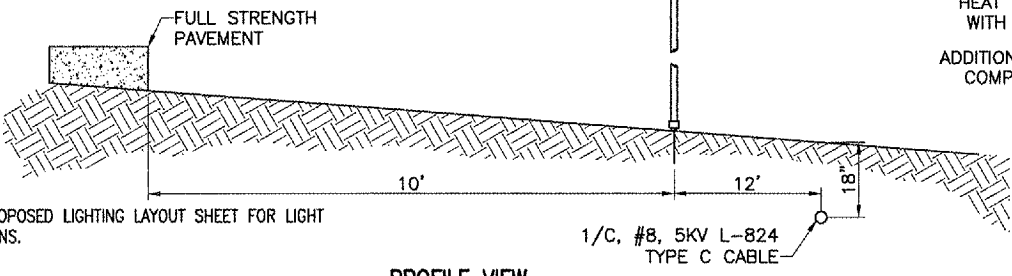
GROUND ROD
(NOT TO SCALE)



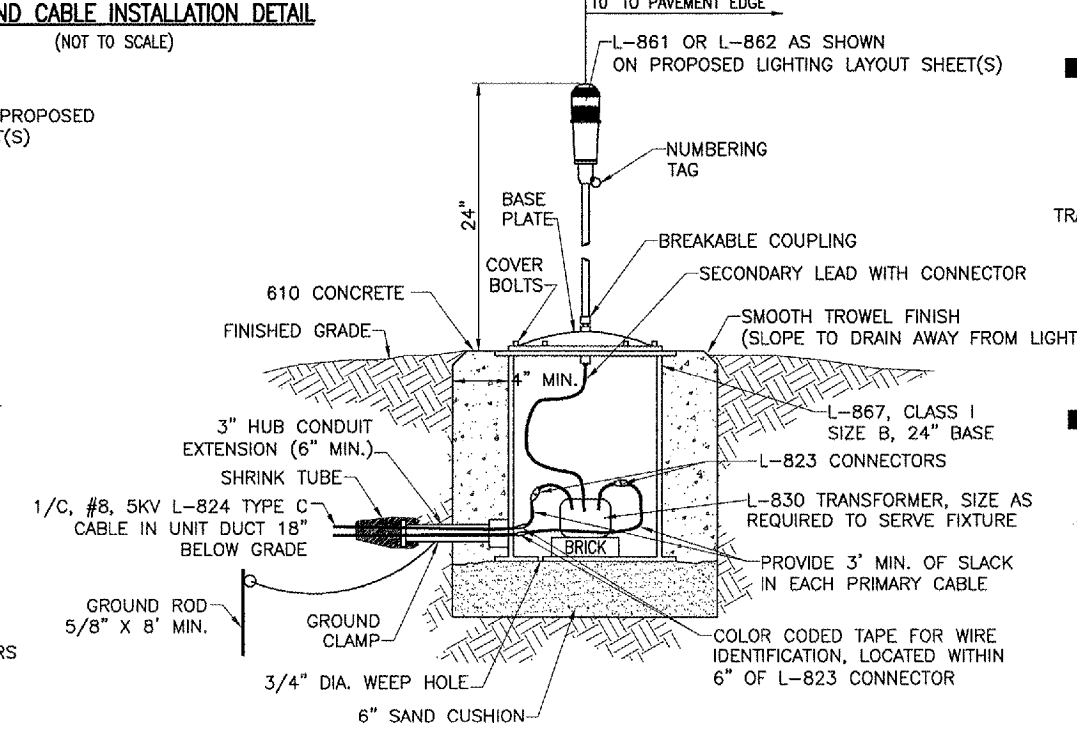
MEDIUM INTENSITY LIGHT - STAKE MOUNTED
(NOT TO SCALE)



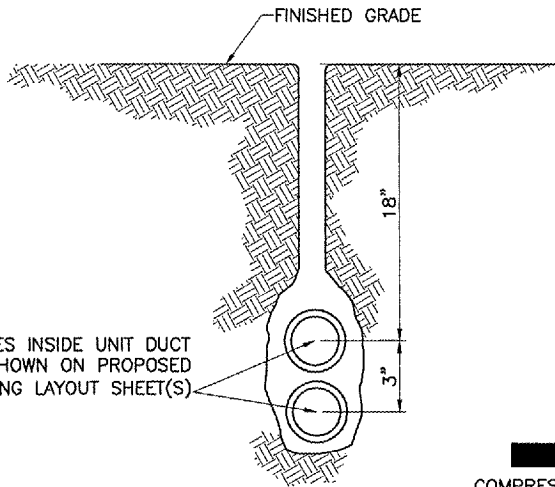
PLAN VIEW



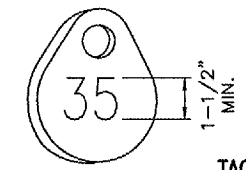
PROFILE VIEW



MEDIUM/HIGH INTENSITY LIGHT - BASE MOUNTED
(NOT TO SCALE)

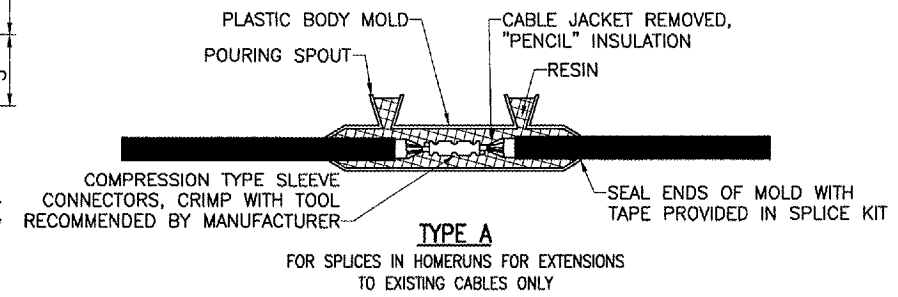


PLOWED CABLE
(NOT TO SCALE)

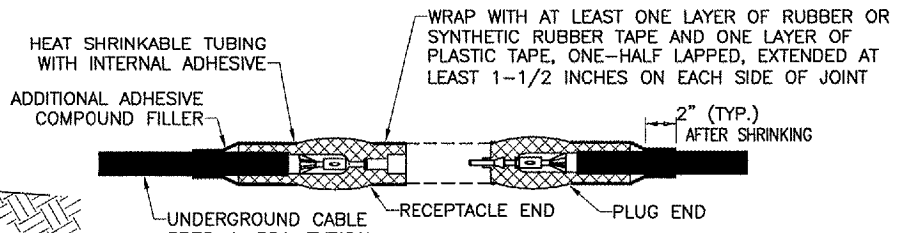


TAG DETAIL
(NOT TO SCALE)

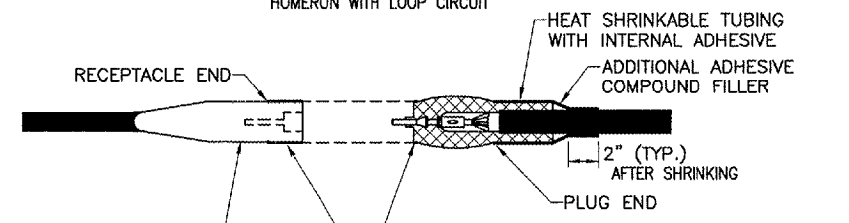
NOTE:
 AFFIX NON-CORROSIVE TAG TO FIXTURE FACING RUNWAY WITH SET SCREW, WIRE TIE, OR METAL BAND. NUMERALS SHALL BE ENGRAVED FOR PERMANENT READABILITY.



TYPE A



TYPE B



TYPE C

NOTES:
 SEE PROPOSED LIGHTING LAYOUT SHEET(S) FOR SPLICE TYPE.
 INSIDE DIAMETER OF CONNECTOR SHALL PROPERLY MATCH THE OUTSIDE DIAMETER OF CABLE.

CABLE SPLICES
(NOT TO SCALE)

BY	
REVISION	
DATE	

TAYLORVILLE MUNICIPAL AIRPORT
 TAYLORVILLE, ILLINOIS
 A.I.P. PROJ.: 3-17-0100-B7
 IL PROJ.: TAZ-3166

REV. Project No. 828-03RWYGD_0800	
Filename R-542ELE.DWG	
Scale NTS	12/5/03
Date 12/5/03	
LAYOUT JMB	12/5/03
DRAWN JMB	12/5/03
REVIEWED CAH	xx/xx/xx



CONSTRUCT RUNWAY 9-27
 PROPOSED ELECTRICAL DETAILS

MAY 05, 2005 8:53 PM RAW I:\AIRPORTS\TYVILLE\B28-03RWYGD\AIRPORT\SHEETS\R-542ELE.DWG - ELECTRICAL DETAIL