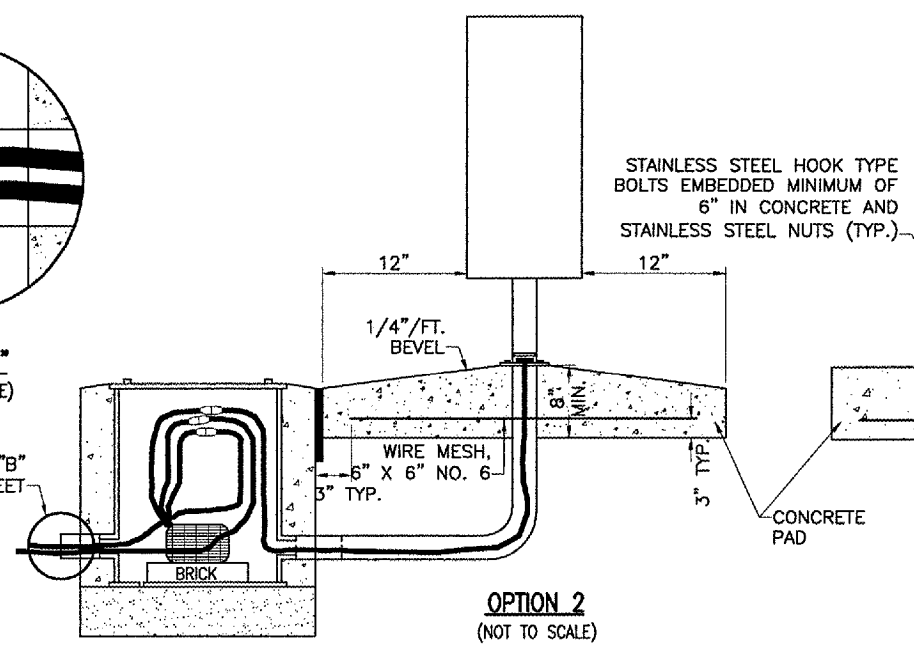
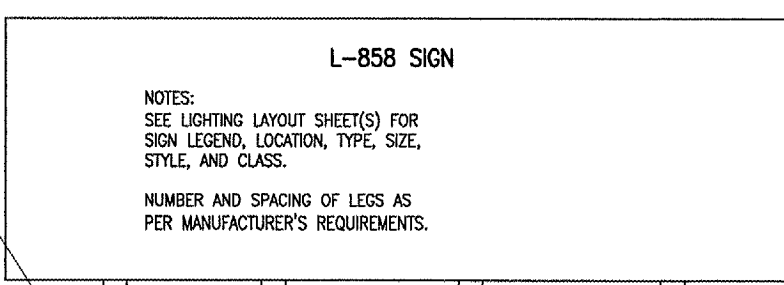


DETAIL "B"
(NOT TO SCALE)

SEE DETAIL "B" ON THIS SHEET



OPTION 2
(NOT TO SCALE)

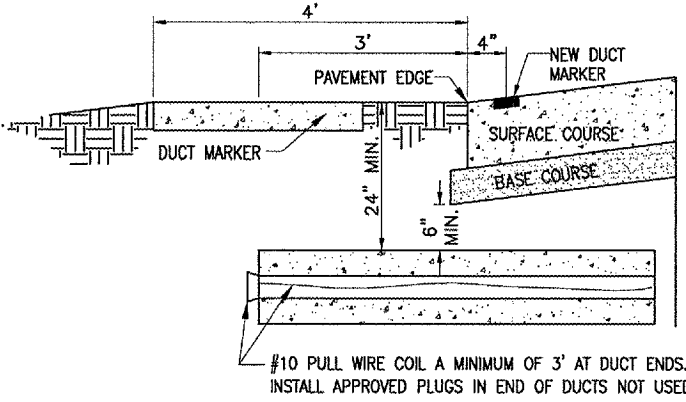


L-858 SIGN

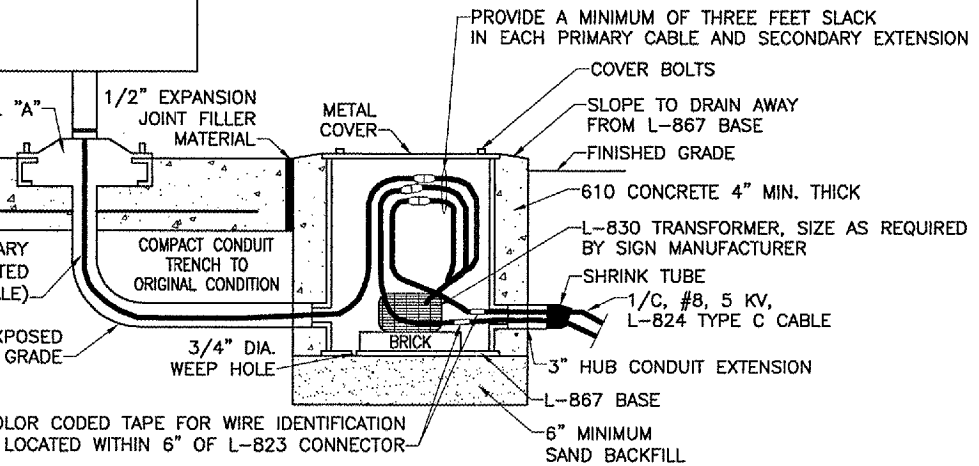
NOTES:
SEE LIGHTING LAYOUT SHEET(S) FOR SIGN LEGEND, LOCATION, TYPE, SIZE, STYLE, AND CLASS.

NUMBER AND SPACING OF LEGS AS PER MANUFACTURER'S REQUIREMENTS.

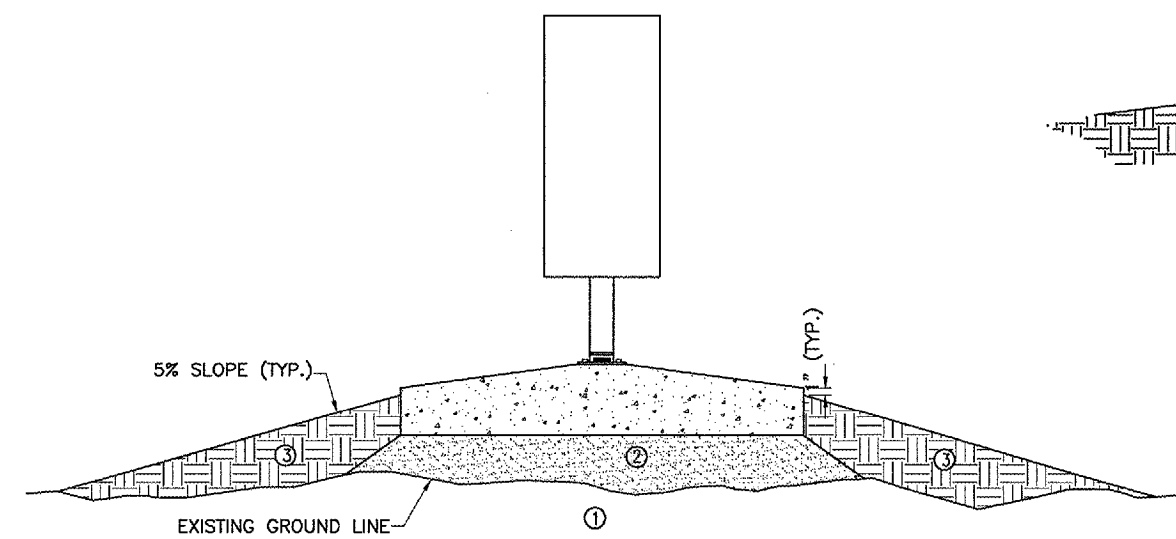
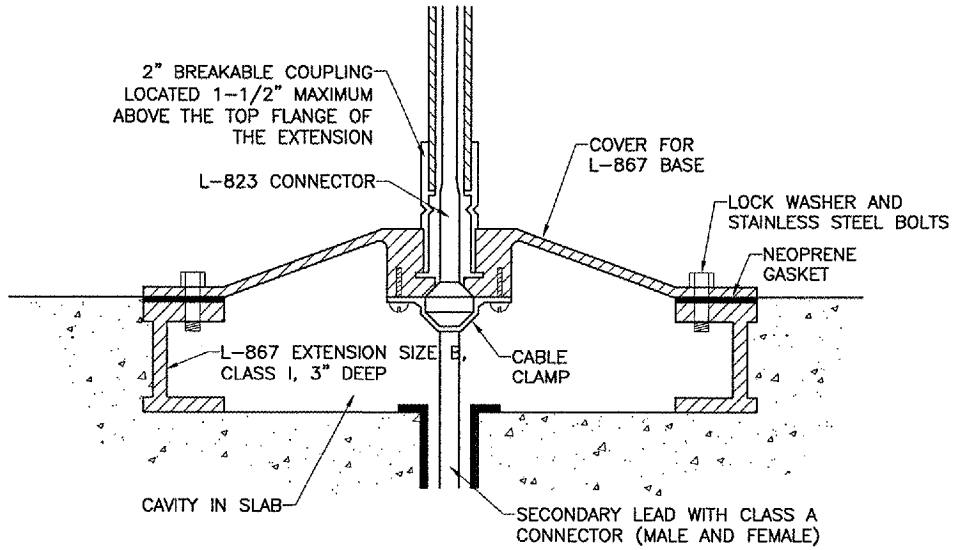
THE LOCATION OF UNDERGROUND UTILITIES AS INDICATED ON THE PLANS HAS BEEN OBTAINED FROM EXISTING RECORDS. NEITHER THE OWNER NOR THE ENGINEER ASSUMES ANY RESPONSIBILITY WHATSOEVER, IN RESPECT TO THE ACCURACY OR SUFFICIENCY OF THE INFORMATION AND THERE IS NO GUARANTEE, EITHER EXPRESSED OR IMPLIED, THAT THE CONDITIONS ARE REPRESENTATIVE OF THOSE TO BE ENCOUNTERED IN THE CONSTRUCTION.



UNDERGROUND ELECTRICAL DUCT
(NOT TO SCALE)



DETAIL "A"
(NOT TO SCALE)



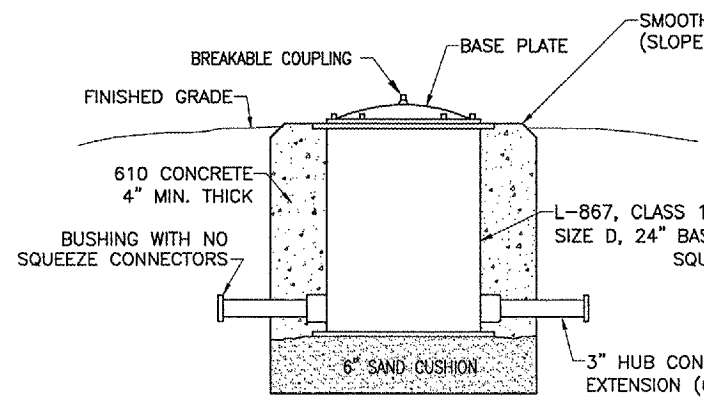
SIGN DETAIL
(NOT TO SCALE)

- ① EXISTING SOD TO BE STRIPPED AND REMOVED
- ② SAND BACKFILL, VARIABLE DEPTH
- ③ PROPOSED TOPSOIL BACKFILL MATERIAL

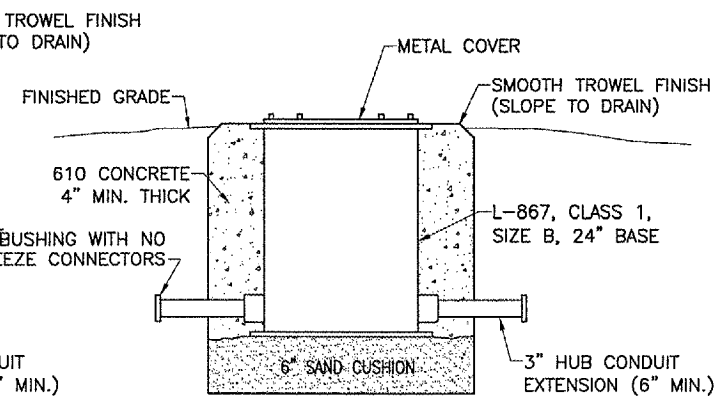
GENERAL NOTES

SEE LIGHTING LAYOUT SHEET FOR SIGN LEGEND, LOCATION, TYPE, SIZE, STYLE, AND CLASS.

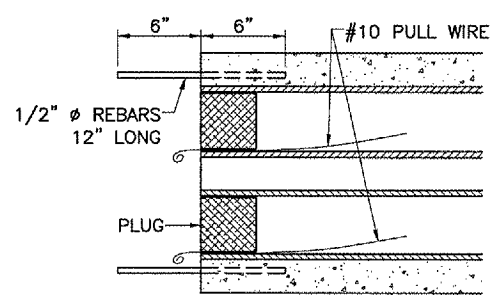
SEE SHEETS 54 THROUGH 55 FOR ELECTRICAL NOTES.



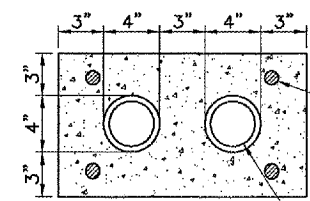
REIL BASE DETAIL
(NOT TO SCALE)



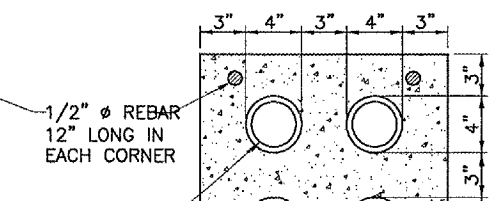
SPLICE CAN DETAIL
(NOT TO SCALE)



TYPICAL SECTION
(NOT TO SCALE)



2-DUCT BANK
(NOT TO SCALE)



4-DUCT BANK
(NOT TO SCALE)

REVISION	DATE	BY

TAYLORVILLE MUNICIPAL AIRPORT
TAYLORVILLE, ILLINOIS

A.I.P. PROJ.: 3-17-0100-B7
I.L. PROJ.: TAZ-3166

FILE NAME	DATE	SCALE	BY	CHK
R-541ELE.DWG	12/5/03		JMB	JMB

HANSON

Hanson Professional Services Inc.
1925 South Sixth Street
Springfield, Illinois 62703-2886
Offices Nationwide

CONSTRUCT
RUNWAY 9-27

PROPOSED
ELECTRICAL
DETAILS