


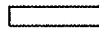

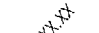
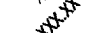
MAY 03, 2005 1:14 PM RAW
 I:\AIRPORT\TAYLORVILLE\B28-03RWY\GDAIRPORT\SHEETS\19-191STK.DWG - STA. 97+00 TO STA. 105+00

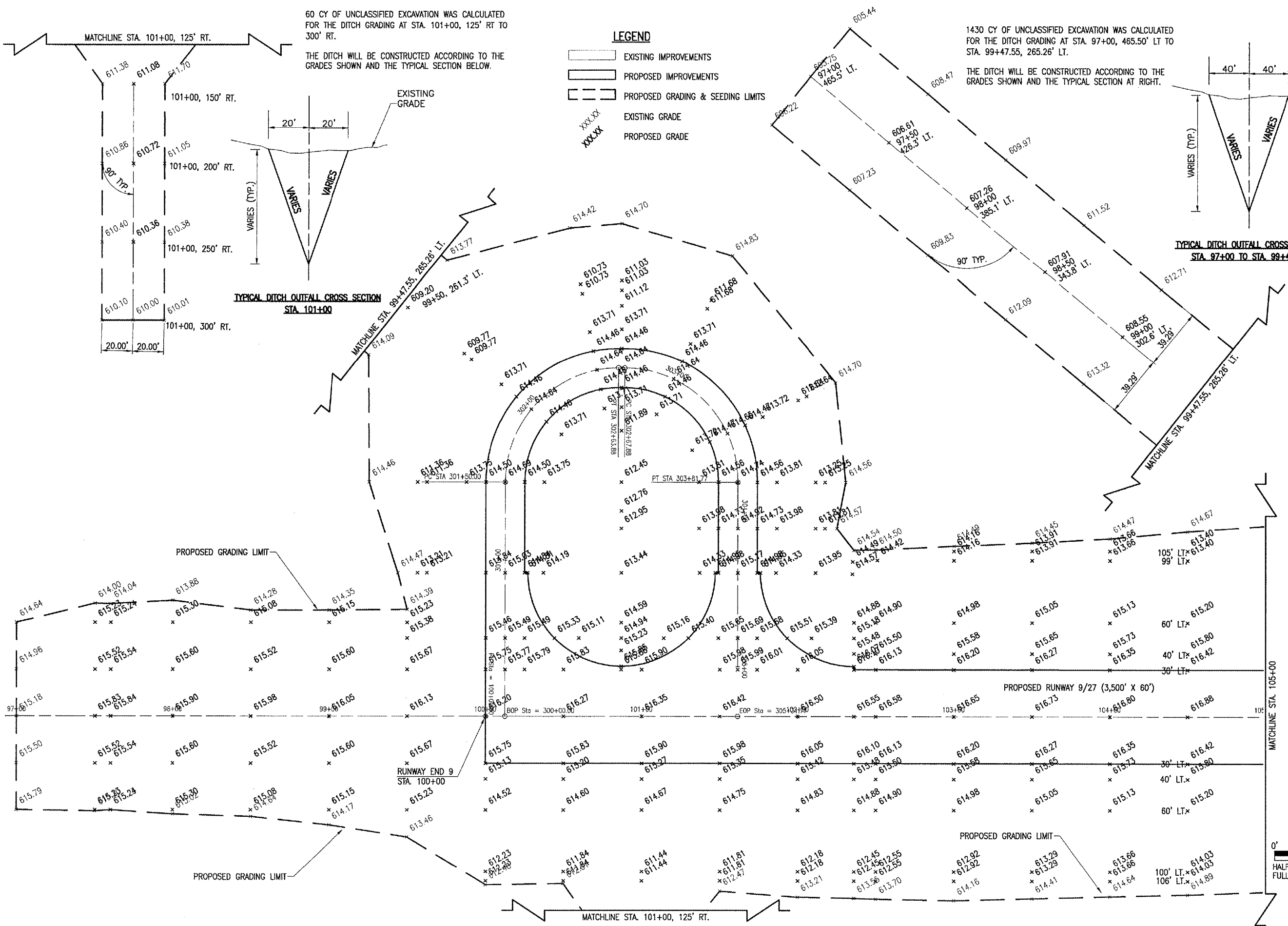
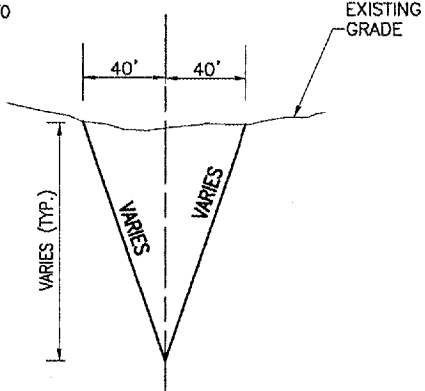
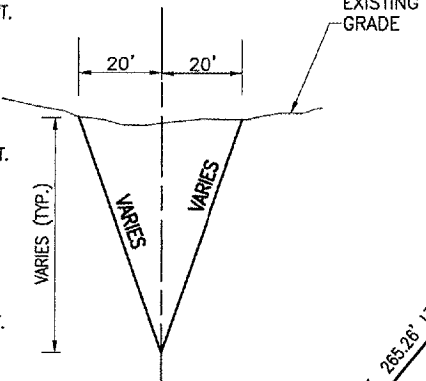
TA001

60 CY OF UNCLASSIFIED EXCAVATION WAS CALCULATED FOR THE DITCH GRADING AT STA. 101+00, 125' RT TO 300' RT.
 THE DITCH WILL BE CONSTRUCTED ACCORDING TO THE GRADES SHOWN AND THE TYPICAL SECTION BELOW.

1430 CY OF UNCLASSIFIED EXCAVATION WAS CALCULATED FOR THE DITCH GRADING AT STA. 97+00, 465.50' LT TO STA. 99+47.55, 265.26' LT.
 THE DITCH WILL BE CONSTRUCTED ACCORDING TO THE GRADES SHOWN AND THE TYPICAL SECTION AT RIGHT.

LEGEND

-  EXISTING IMPROVEMENTS
-  PROPOSED IMPROVEMENTS
-  PROPOSED GRADING & SEEDING LIMITS
-  EXISTING GRADE
-  PROPOSED GRADE



BY	REVISION	DATE

TAYLORVILLE MUNICIPAL AIRPORT
 TAYLORVILLE, ILLINOIS
 I.L. PROJ.: TAZ-3166 A.I.P. PROJ.: 3-17-0100-87

FILE PROJECT NO.	DATE	LAYOUT	MLB	02/10/05
R-191STK.DWG <td>02/10/05 <td>XXX <td>XXX <td>00/00/05 </td></td></td></td>	02/10/05 <td>XXX <td>XXX <td>00/00/05 </td></td></td>	XXX <td>XXX <td>00/00/05 </td></td>	XXX <td>00/00/05 </td>	00/00/05
SCALE: 1" = 30'	02/10/05 <td>CAH <td>CAH <td>03/28/05 </td></td></td>	CAH <td>CAH <td>03/28/05 </td></td>	CAH <td>03/28/05 </td>	03/28/05



Hanson Professional Services Inc.
 1525 South Sixth Street
 Springfield, Illinois 62703-2886
 Offices Nationwide

CONSTRUCT RUNWAY 9-27
 PROPOSED STAKING PLAN
 STA. 97+00 TO STA. 105+00