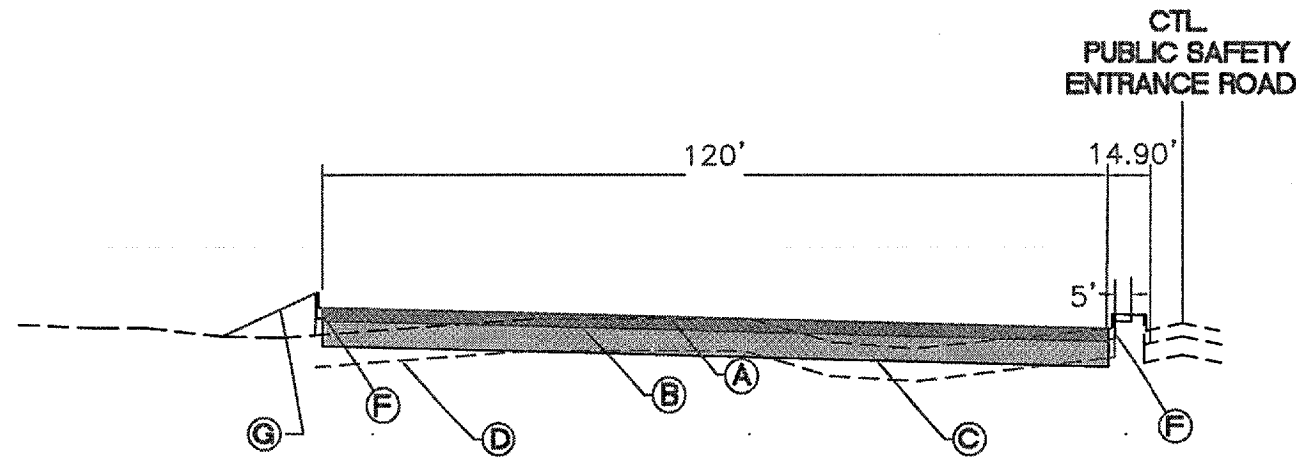


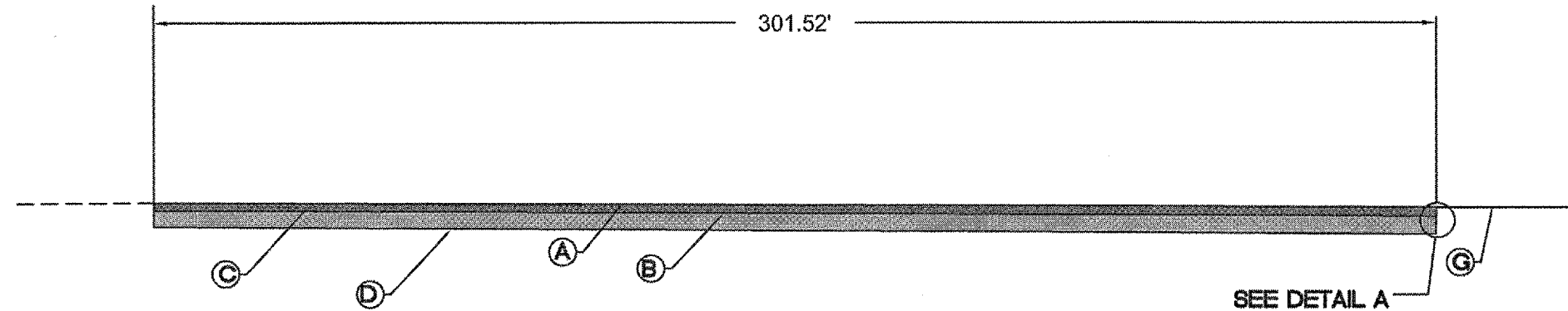
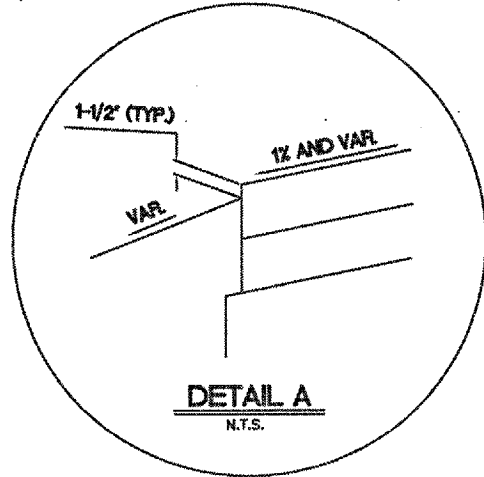
**R0010
TOTAL SHEETS = 24**

REVISIONS		
NUMBER	BY	DATE

0 1
THIS BAR IS EQUAL TO 1"
AT FULL SCALE (17 X 11).



SECTION A-A
N.T.S.

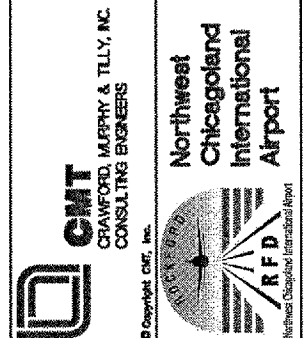


SECTION B-B
N.T.S.

CTL LEGEND

- (A) NEW 4" (2-2" LIFTS) BITUMINOUS SURFACE COURSE (BITUMINOUS TACK COAT BETWEEN LIFTS) (AR401/AR603)
- (B) NEW 8" CRUSHED AGGREGATE BASE COURSE (AR209) (BITUMINOUS PRIME COAT APPLIED PRIOR TO PAVING) (AR602)
- (C) NEW 12" AVG. TOPSOIL STRIPPING (AR152)
- (D) NEW UNCLASSIFIED EXCAVATION (AR152)
- (E) NEW DRAINAGE SWALE (AR152)
- (F) NEW COMB. CONC. CURB AND GUTTER M-6.12 (AR754)
- (G) NEW SEEDING/SOIL GUARD (AR901-AR910)

**GREATER ROCKFORD AIRPORT AUTHORITY
ROCKFORD, ILLINOIS
ILLINOIS PROJECT: RFD-2820
NORTH AND WEST AUTO PARKING
TYPICAL SECTIONS**



DESIGN BY: AGJ
DRAWN BY: CMT
CHECKED BY: TAS
APPROVED BY: *[Signature]*
DATE: 5.13.2006
JOB No: 05258-04-00

20 (TY2)