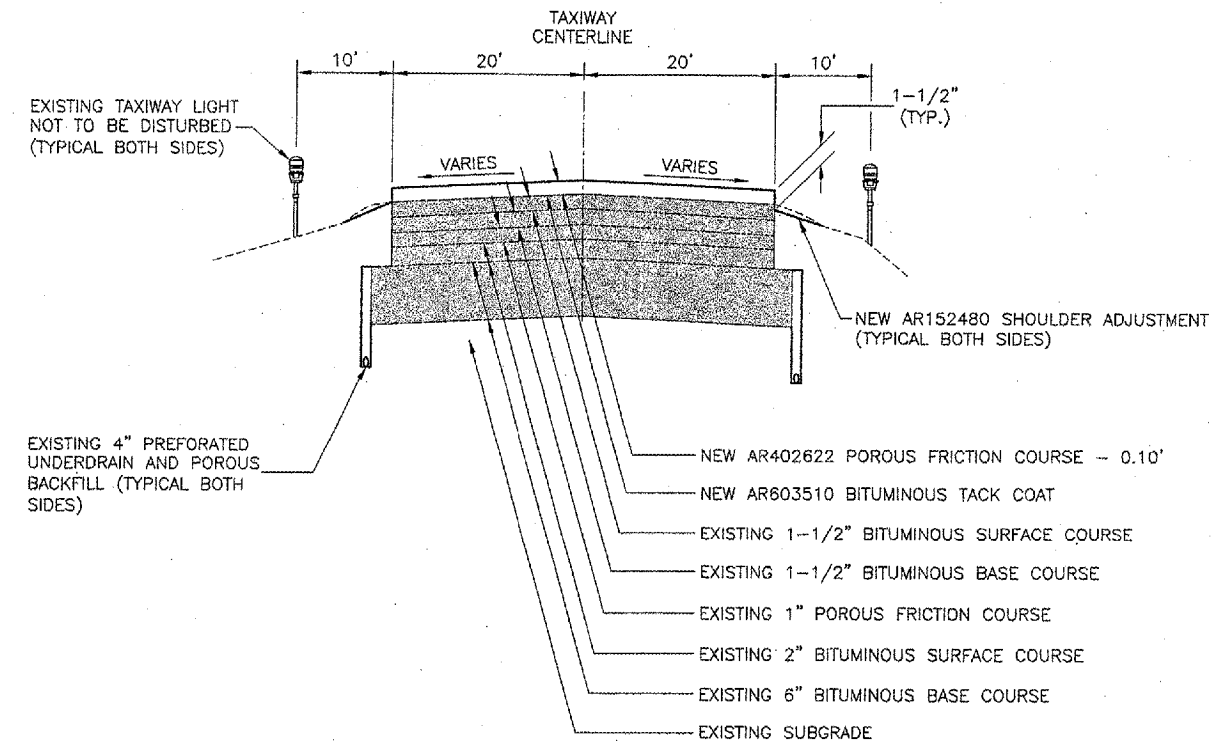
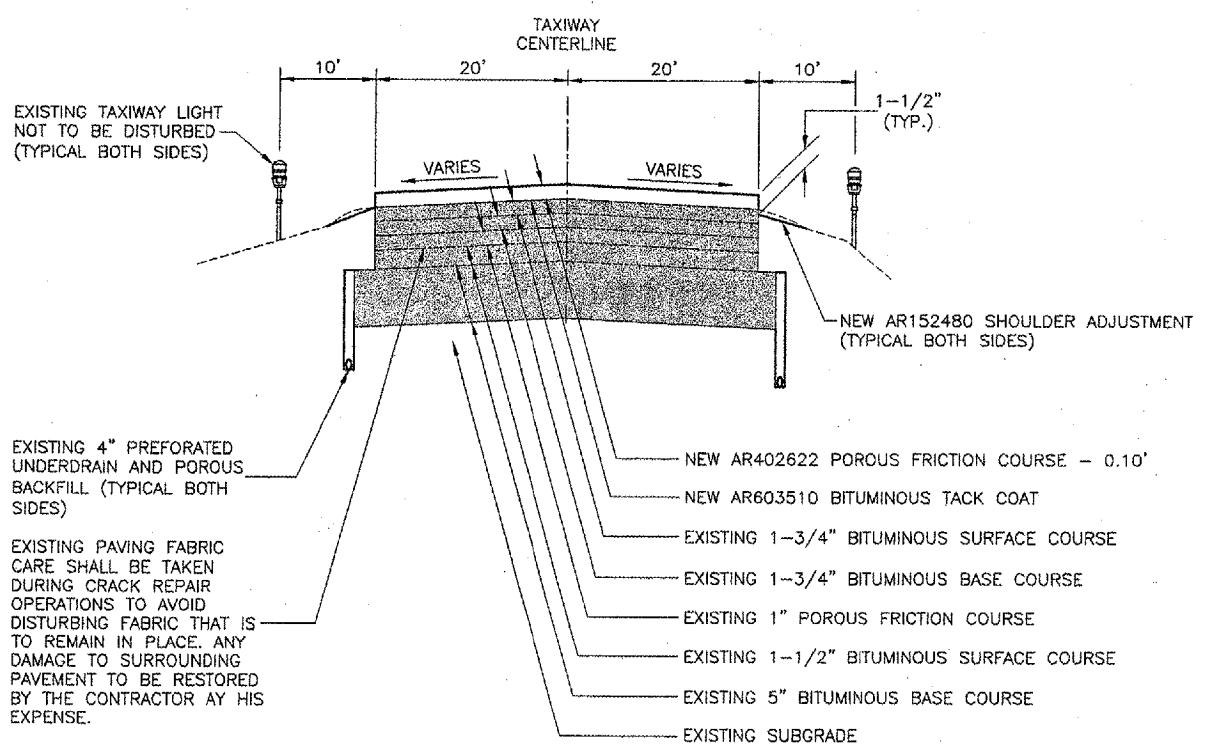


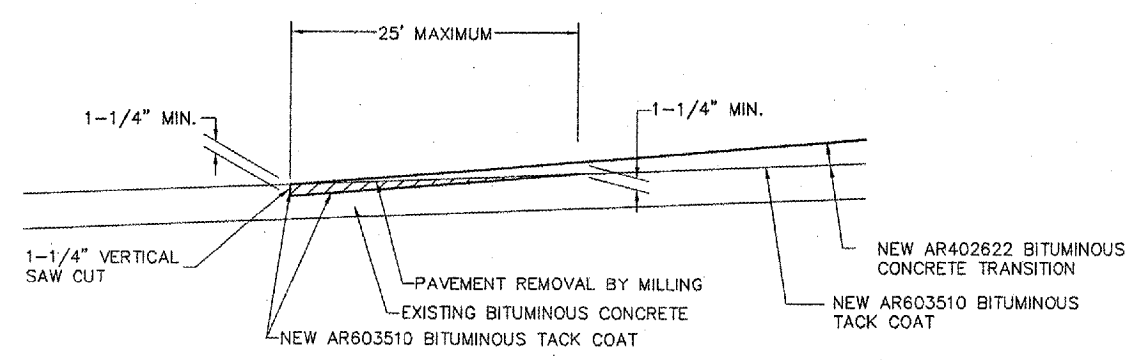
TYPICAL SECTION
 CONNECTING TAXIWAYS 1 AND 3
 N.T.S.



PARALLEL TAXIWAY STA. 15+00 TO STA. 32+30
 PARALLEL TAXIWAY STA. 47+20 TO STA. 51+60
 N.T.S.

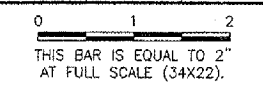


PARALLEL TAXIWAY STA. 32+30 TO STA. 47+20
 CONNECTING TAXIWAYS 2 AND 4
 N.T.S.



AR401655 BUTT JOINT DETAIL
 N.T.S.

REVISIONS		
NUMBER	BY	DATE



**PEKIN MUNICIPAL AIRPORT
 PEKIN, TAZEWELL COUNTY, ILLINOIS**
REHABILITATE AND MARK THE PARALLEL TAXIWAY
TYPICAL SECTIONS SHEET 1

© Copyright CMT, Inc.
CMT
 CRAVENS, MURPHY & TILLY, INC.
 CONSULTING ENGINEERS
 License No. 084-000613

DESIGN BY:	SMS
DRAWN BY:	CMT
CHECKED BY:	SMS
APPROVED BY:	SMS
DATE:	04/22/2005
JOB No:	04069-02-00
IL PROJECT:	C15-3434
A.I.P. PROJECT:	3-17-0078-BB
SHEET 10 OF 13 SHEETS	