

RUNWAY NUMERAL DIMENSIONING NOTES:

ALL RUNWAY MARKING WILL BE WHITE IN COLOR AND WILL BE APPLIED WITH TWO COATS OF REFLECTIVE MEDIA IN ACCORDANCE WITH THE SPECIFICATIONS.

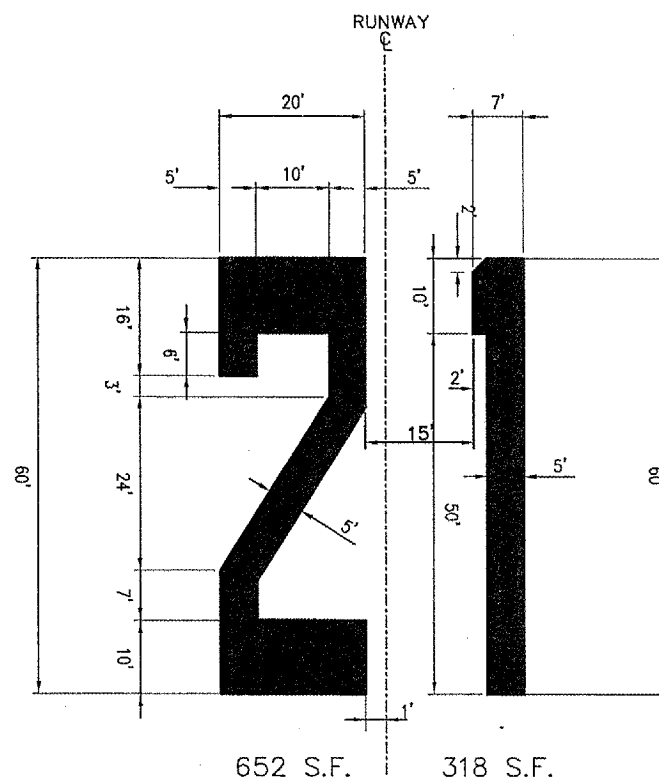
ALL NUMERALS HORIZONTALLY SPACED 15 FEET APART.

ALL DIMENSIONS ARE EXPRESSED IN INCREMENTS OF FEET.

SINGLE DIGIT NUMERAL DESIGNATIONS ARE CENTERED ON THE RUNWAY PAVEMENT CENTERLINE.

DOUBLE DIGIT NUMERAL DESIGNATIONS ARE CENTERED ON THE RUNWAY PAVEMENT CENTERLINE BASED ON THE CENTER OF THE OUTER EDGES OF THE TWO NUMERALS.

CUT-OFF SHEETS WILL BE REQUIRED TO INSURE STRAIGHT EDGES.



DATE	REVISION	BY

OLNEY-NOBLE AIRPORT
 OLNEY, ILLINOIS
 RICHLAND COUNTY
 A.I.P. PROJ.: 3-17-0076-B7
 IL. PROJ.: OLY-3438

Heli Project No. 820-05RWY Filename R-101MRK.DGN Scale 1" = 30' Date 02/03/05	LAYOUT JAC 02/03/05 DRAWN JAC 02/03/05 REVIEWED CAH 05/13/05
--	--

HANSON
 Hanson Professional Services Inc.
 4227 North City Parkway, Suite 130
 Shreveport, LA 70506
 Offices Nationwide

REHABILITATE
 RUNWAY 3/21
 PROPOSED
 MARKING PLAN
 STA. 42+00 TO STA. 49+05.89

new

05/16/2005 01:29 PM

I:\Airports\OLNEY\820-05RWY\Airport\Sheets\R-101MRK.dgn