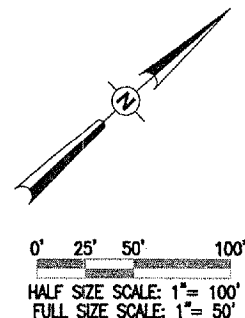
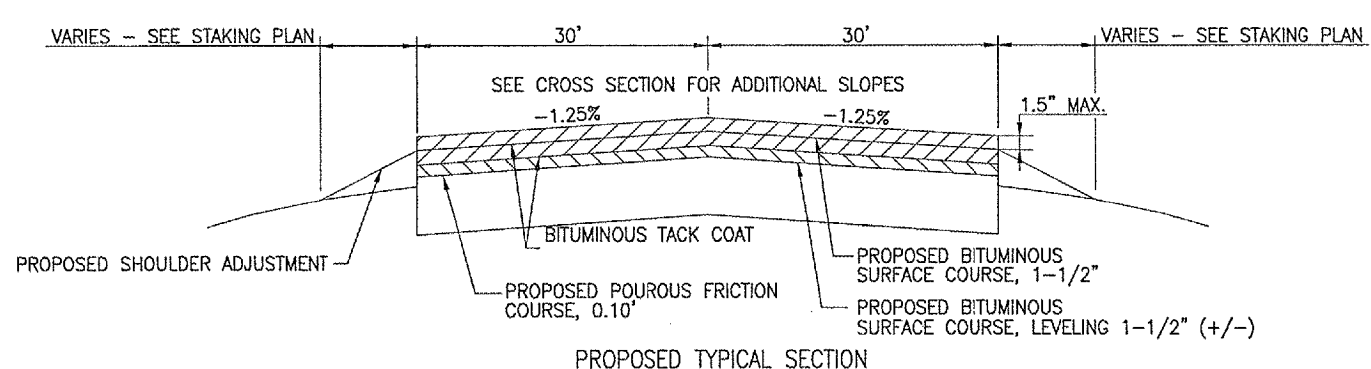
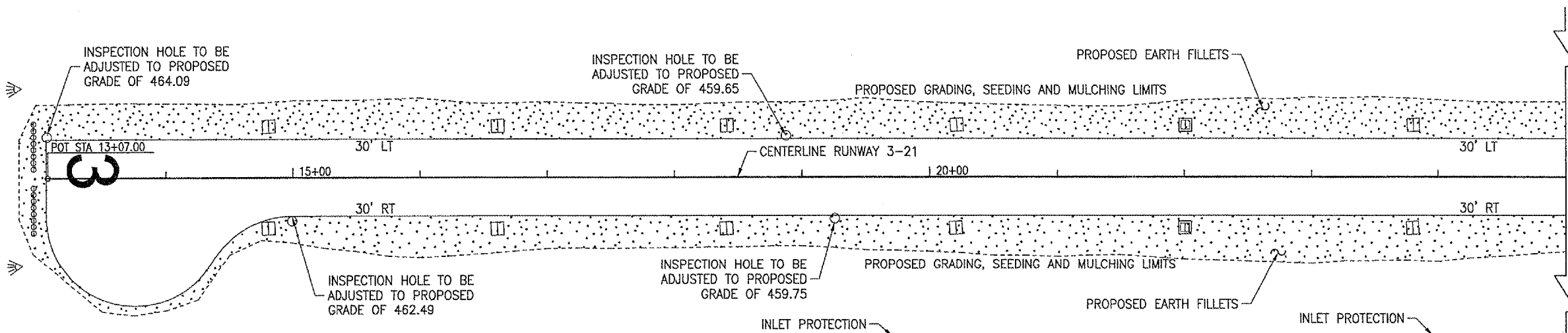
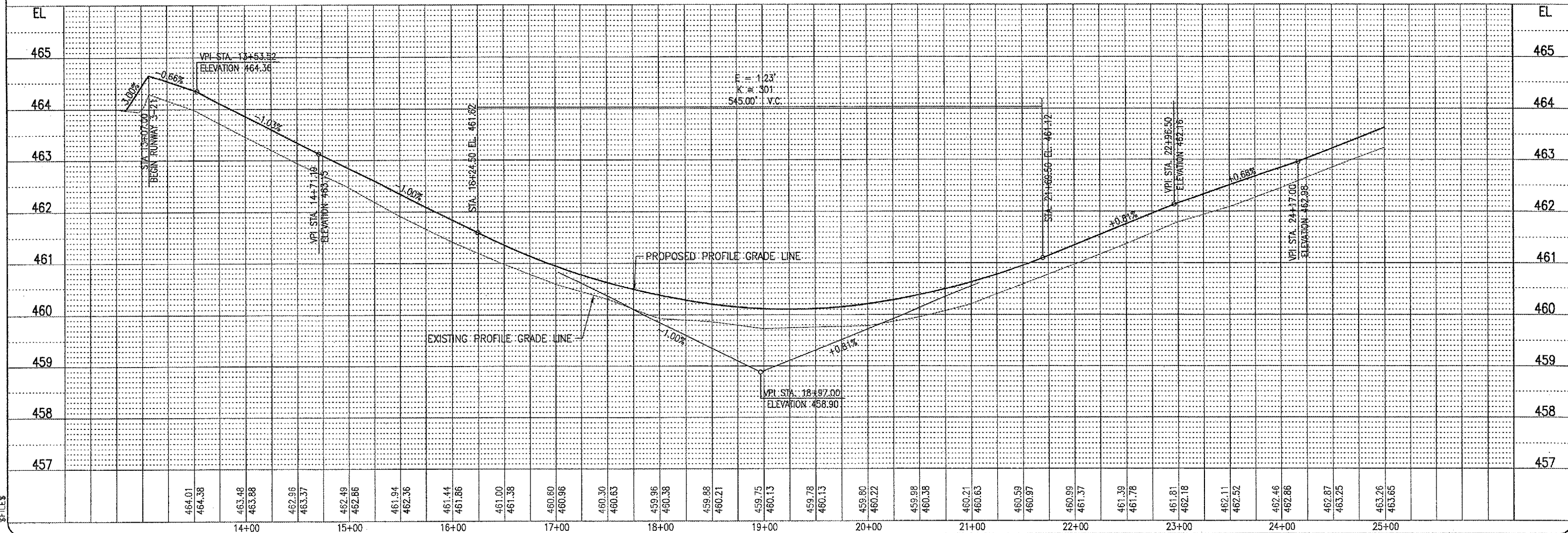


BY	
REVISION	
DATE	



- CONSTRUCTION LEGEND**
- BUTT JOINT CONSTRUCTION
  - PROPOSED GRADING, SEEDING AND MULCHING
  - EXISTING BASE MOUNTED LIGHT
  - EXISTING STAKE MOUNTED LIGHT
  - EXISTING STAKE MOUNTED THRESHOLD LIGHT



OLNEY-NOBLE AIRPORT  
OLNEY, ILLINOIS  
RICHLAND COUNTY

HE Project No.	820-05RWY
File Name	R-701PNP.DGN
Scale	1" = 50'
Date	05/06/2005
LAYOUT	MEW 05/06/05
DRAWN	MEW 05/06/05
REVIEWED	CAH 05/13/05

Hanson Professional Services Inc.  
Springfield, Illinois 62703-2886  
Offices Nationwide

REHABILITATE  
RUNWAY 3-21

PROPOSED  
PLAN & PROFILE

STA. 13+07.00 TO STA. 25+00.00

05/16/2005 10:27 AM  
3 FILES