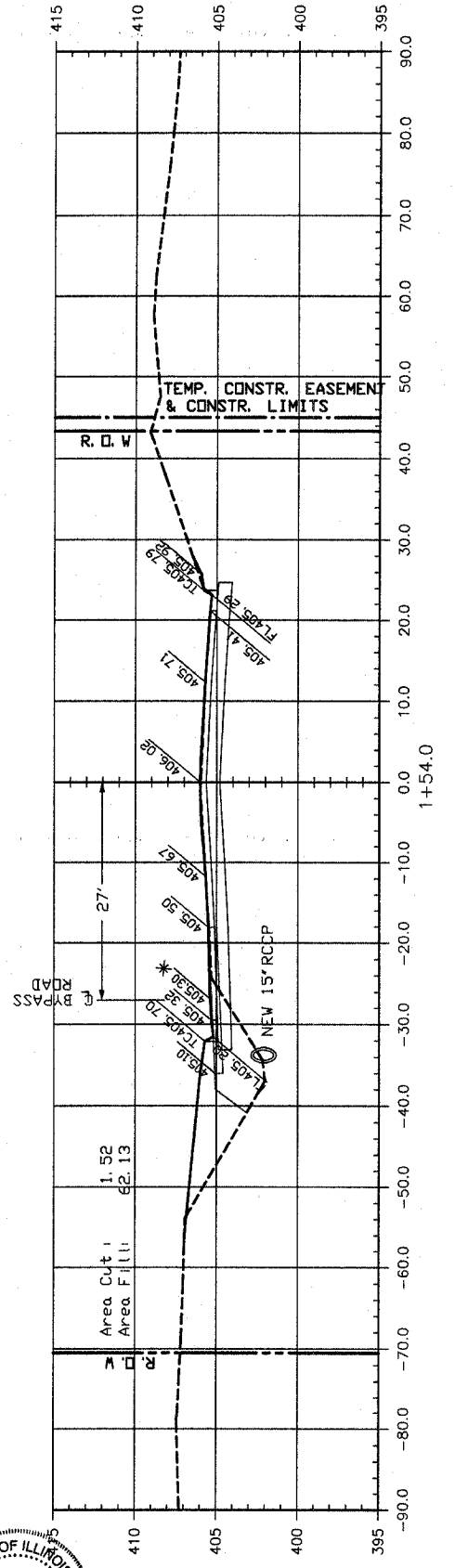
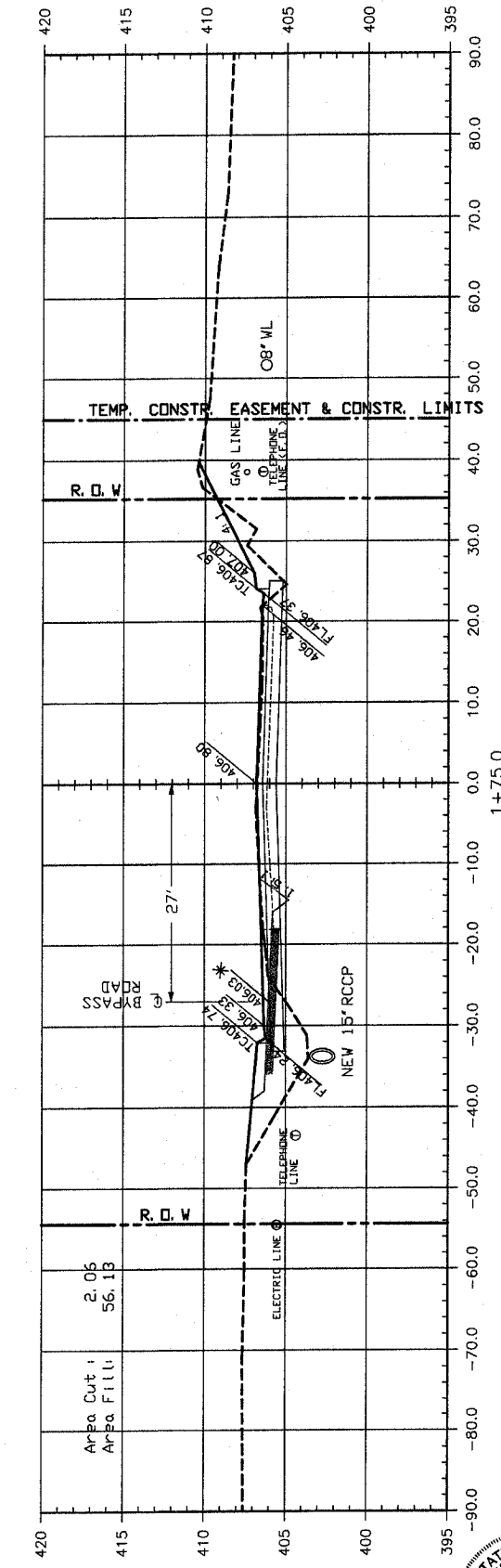
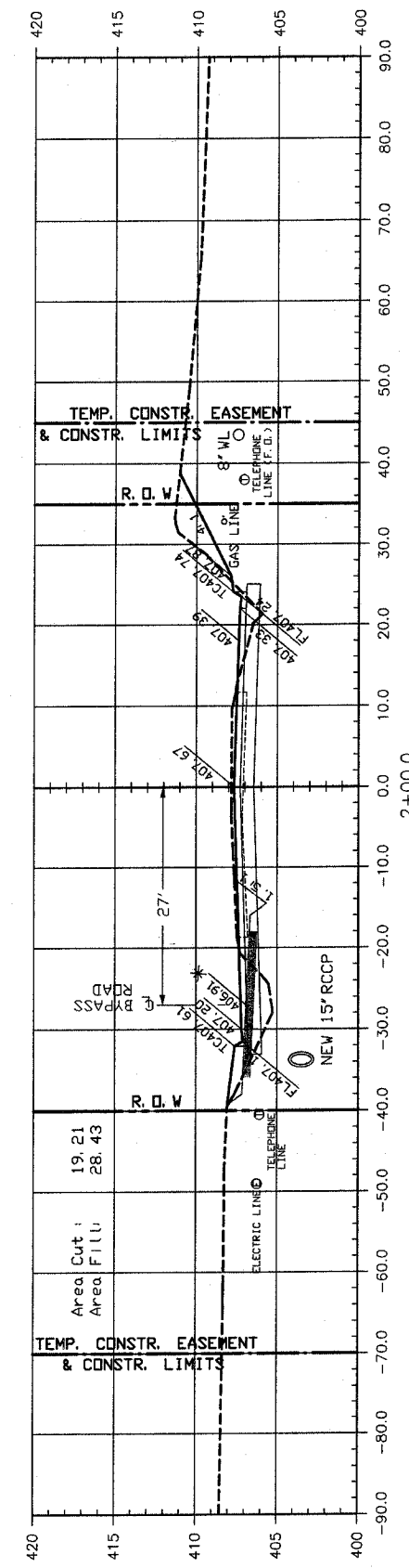
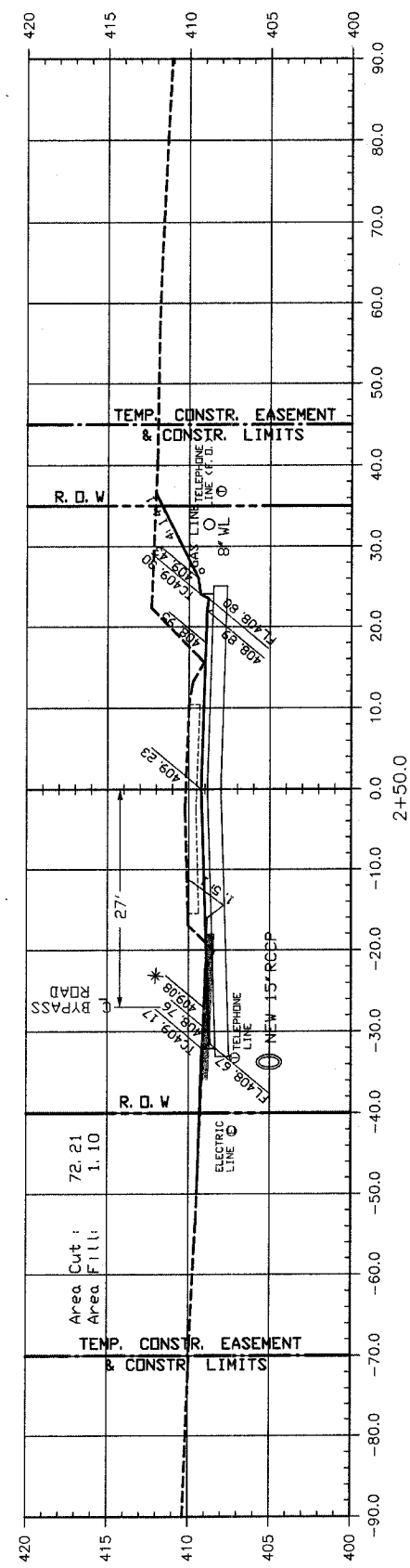
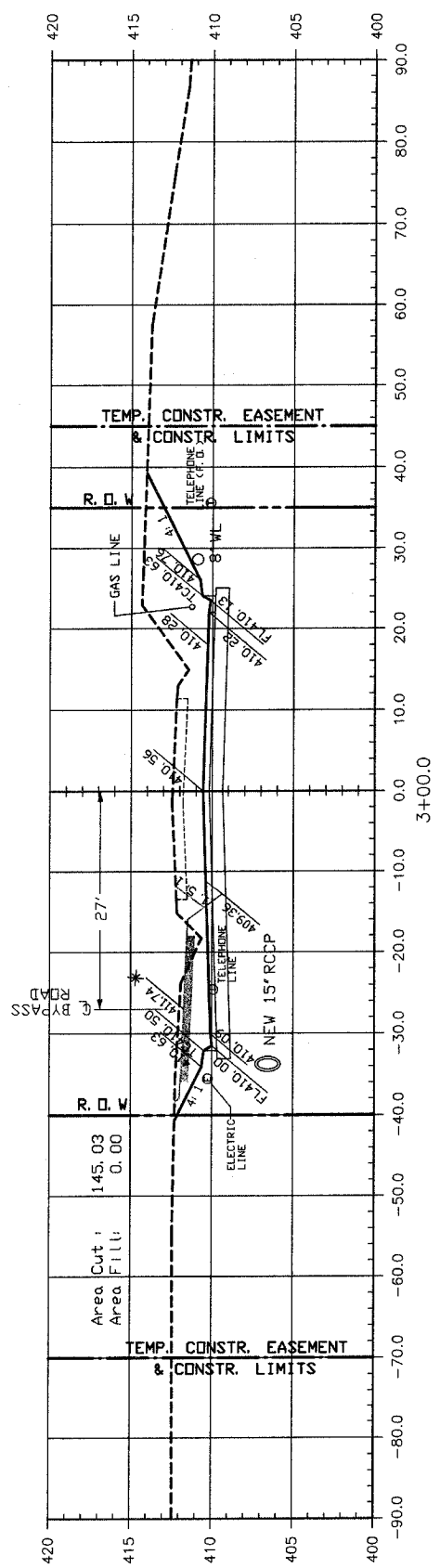
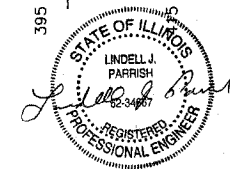


F. A. U. ROUTE	SECTION	COUNTY	TOTAL SHEETS	SHEET NUMBER
9732	00-00102-00-FP	JACKSON	27	9
JOB NO. C-99-033-03	PROJECT NO. M-5008(17)			
CITY OF CARBONDALE	CONTRACT NO. 99175			



- NOTES:
1. CUT AND FILL AREA SHOWN ARE TO FINISH GRADE
  2. SHADED AREA DENOTES TEMPORARY BYPASS ROAD 1.
  3. HATCHED AREA DENOTES TEMPORARY BYPASS ROAD 2.
  4. 400.0 \* PROPOSED CENTERLINE ELEV., TEMPORARY BYPASS ROADS



CIP NO. ST0107 - REED STATION ROAD NORTH  
 CROSS SECTIONS  
 STA. 1+75 TO STA. 3+00