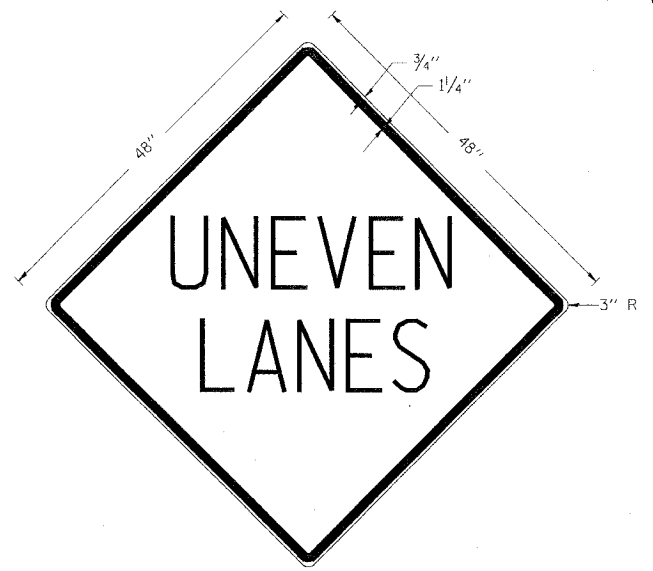


F.A.P. RTE	SECTION	COUNTY	TOTAL SHEETS	SHEET NO.
869	(103)1	SALINE	64	33
STA.	TO STA.			
FED. ROAD DIST. NO.	ILLINOIS	FED. AID PROJECT		

CONTRACT NO. 98896

UNEVEN LANES SIGN
W8-11 (48" x 48")



COLORS:
LEGEND AND BORDER - BLACK NON-REFLECTORIZED
BACKGROUND - ORANGE REFLECTORIZED

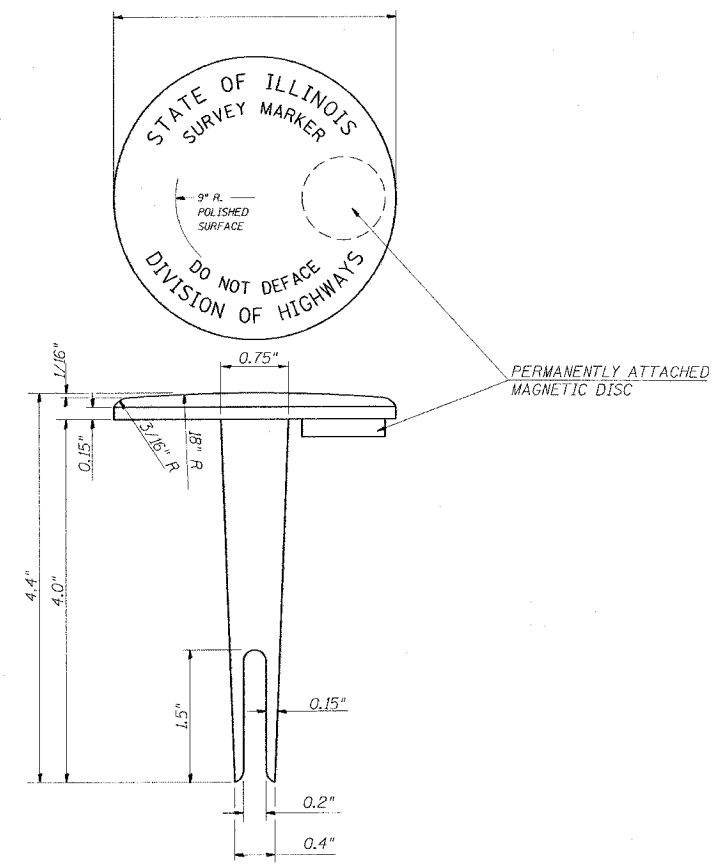
NOTE: PRIOR TO ALLOWING TRAFFIC ON ANY PORTION OF THE ROADWAY THAT HAS BEEN COLDMILLED OR BEFORE RESURFACING OPERATIONS BEGIN, THE CONTRACTOR SHALL HAVE ERECTED "UNEVEN PAVEMENT" SIGNS THAT CONFORM TO THE ABOVE DETAILS. A MINIMUM OF ONE SIGN AT EACH END OF THE IMPROVEMENT WILL BE REQUIRED. THE CONTRACTOR SHALL MAINTAIN THE "UNEVEN PAVEMENT" SIGNS UNTIL THE RESURFACING OPERATIONS ARE COMPLETED.

IF AT ANY TIME THE SIGNS ARE IN PLACE BUT NOT APPLICABLE, THEY SHALL BE TURNED FROM THE VIEW OF MOTORISTS OR COVERED AS DIRECTED BY THE ENGINEER.

THE COST OF FURNISHING, ERECTING, MAINTAINING, AND REMOVING THE REQUIRED SIGNS SHALL BE INCLUDED IN THE CONTRACT.

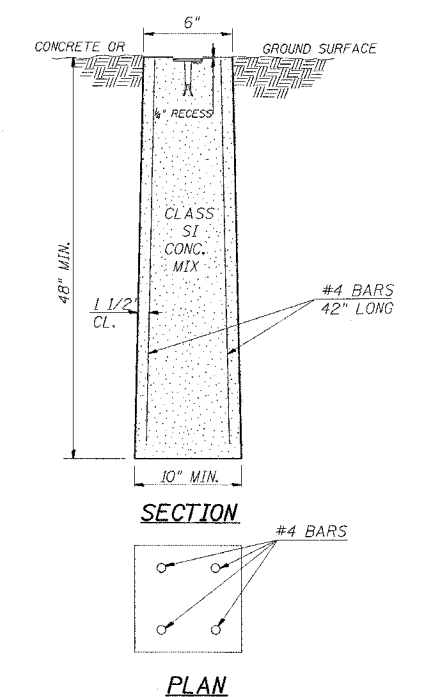
REVISIONS	
DRAWN	2-15-89
REVISED	4-6-93
REDESIGNED	7-23-04
REVISED	
STD. 9-41	

DETAILS OF PERMANENT SURVEY MARKERS



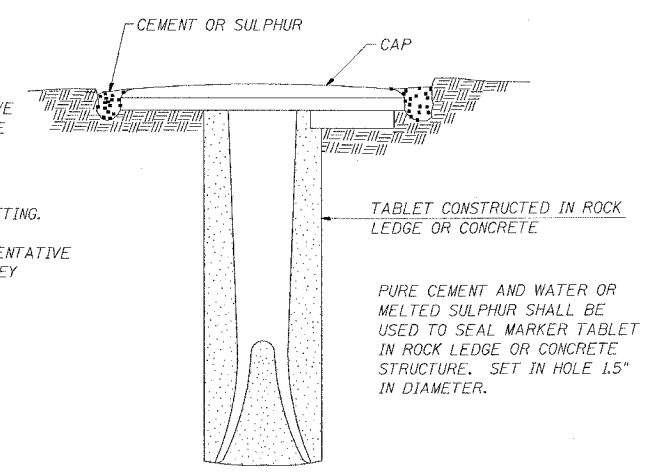
TABLET - BRONZE OR ALUMINUM

PRECAST MARKER



NOTES

1. ACTUAL LOCATIONS TO BE DETERMINED BY THE ENGINEER AND A REPRESENTATIVE FROM THE BUREAU OF DESIGN AFTER GRADING IS COMPLETE AND SIGHT DISTANCE CAN BE DETERMINED BETWEEN SURVEY MARKER LOCATIONS.
2. THE MARKERS SHALL BE PRECAST AND SHALL BE INSTALLED IN A WORKMANLIKE MANNER IN ORDER THAT THERE BE NO FUTURE SETTLEMENT OR HORIZONTAL SHIFTING. THE MONUMENT SHALL BE PLACED IN A WAY THAT THE SURVEY POINT WILL FALL WITHIN THE PORTION OF THE PLAQUE PROVIDED FOR THAT PURPOSE. A REPRESENTATIVE FROM THE BUREAU OF PROGRAM DEVELOPMENT WILL LOCATE AND ETCH THE SURVEY POINT ON THE TABLET.
3. THE CONTRACT UNIT PRICE FOR PERMANENT SURVEY MARKERS WILL BE PAYMENT IN FULL FOR FURNISHING AND INSTALLING THE MARKER.



TOTAL QUANTITY FOR PERMANENT SURVEY MARKERS= 3

DESIGN NOTE: 2000' SPACING DESIRABLE FOR RURAL
1000' SPACING DESIRABLE FOR URBAN

REVISIONS	
DRAWN	2-15-89
REVISED	5-11-89
REDESIGNED	8-18-93
REVISED	10-3-94
STD. 9-10	

Friday, January 21, 2005 @ 12:46:25 PM
c:\projects\98896\98896.dwg LV-1-03