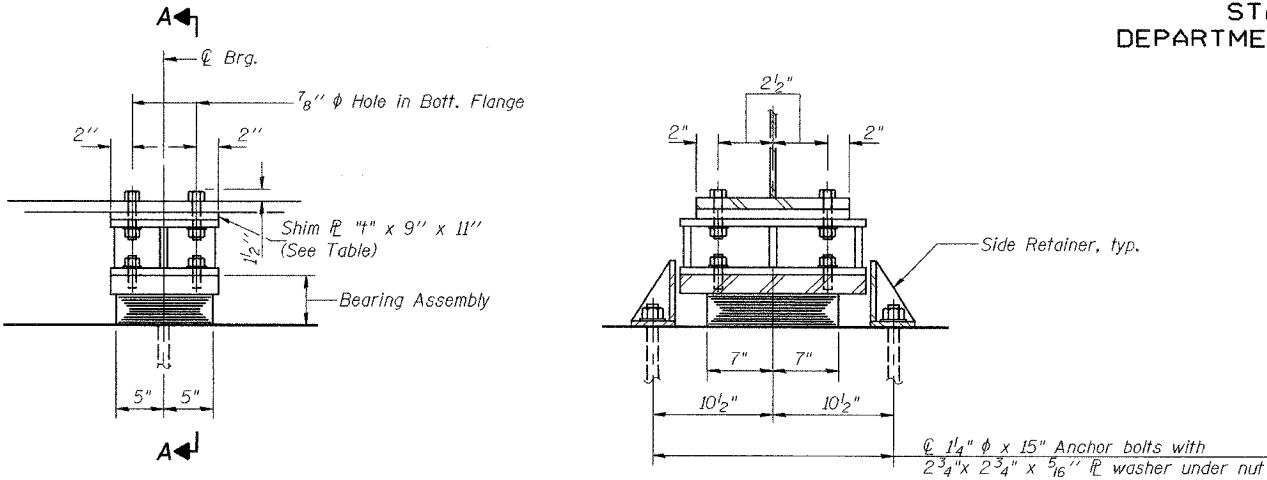


STATE OF ILLINOIS  
DEPARTMENT OF TRANSPORTATION

ROUTE NO. F.A.S. 738	SECTION *	COUNTY Greene	SHEET NO. 28	SHEET 17	SHEET NO. 13 20 SHEETS
FED. ROAD DIST. NO. 7		ILLINOIS	FED. AID PROJECT		

\*01-00072-00-BR  
CONTRACT NO. 97249



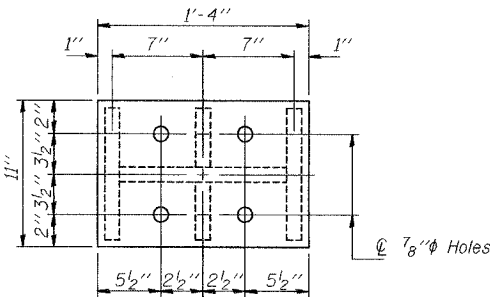
ELEVATION AT PIERS 2 & 4

SECTION A-A

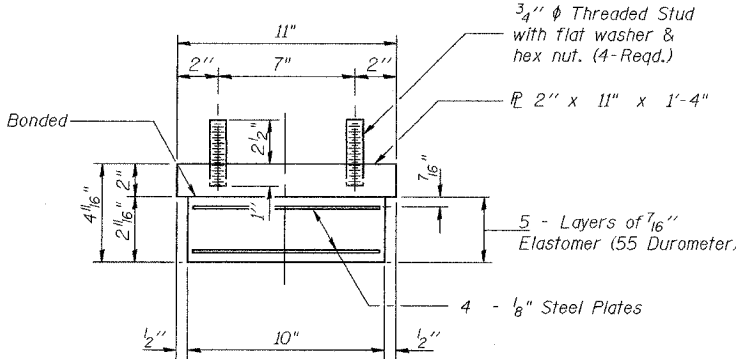
**TYPE I ELASTOMERIC EXP. BRG.**

(10 Required)  
Piers 2 & 4

Notes:  
New steel extensions, side retainers, shim plates, connection bolts, and anchor bolts are included with Furnishing and Erecting Structural Steel.  
See Sheet 20 of 20 for Anchor Bolt installation.  
Prior to ordering any material, the Contractor shall verify in the field all bearing height and shim thickness dimensions.



PLAN TOP AND BOTTOM PLATE

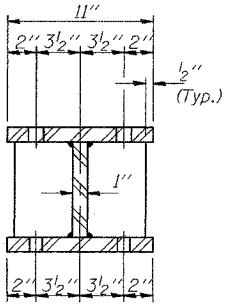


BEARING ASSEMBLY

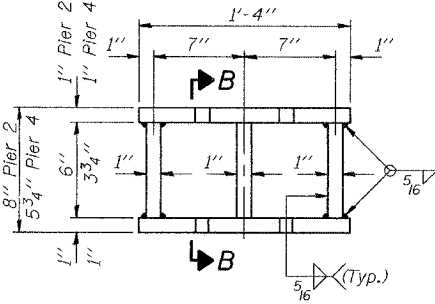
Note: Shim plates shall not be placed under Bearing Assembly.

**SHIM PLATE THICKNESS "t"**

Beam No.	Pier 2	Pier 4
1	-	-
2	1/8"	1/8"
3	1"	1/8"
4	1/4"	1/4"
5	1/4"	1/4"



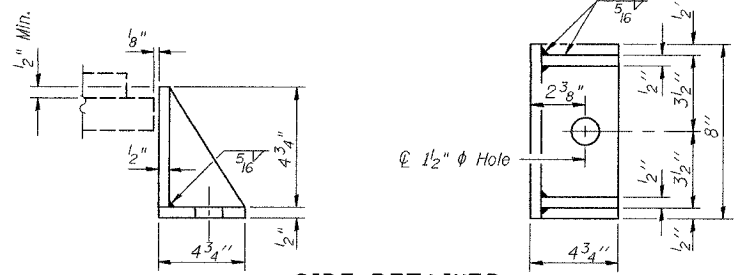
SECTION B-B



STEEL EXTENSION DETAIL

**BILL OF MATERIAL**

ITEM	UNIT	TOTAL
Elastomeric Bearing Assembly Type I	Each	10



SIDE RETAINER

Equivalent rolled angle with stiffeners will be allowed in lieu of welded plates. Weight included with Structural Steel.

DESIGNED	JFS
CHECKED	JKK
DRAWN	SMS
CHECKED	JFS

January 21, 2005  
EXAMINED *Thomas J. Domagalaki*  
ENGINEER OF BRIDGE DESIGN  
PASSED *Ralph E. Anderson*  
ENGINEER OF BRIDGES AND STRUCTURES

I-2-E2 10-31-02

**BEARINGS**  
F.A.S. 738 OVER  
HURRICANE CREEK  
SECTION 01-00072-00-BR  
GREENE COUNTY  
STA. 144+72.46  
STR. NO. 031-3005