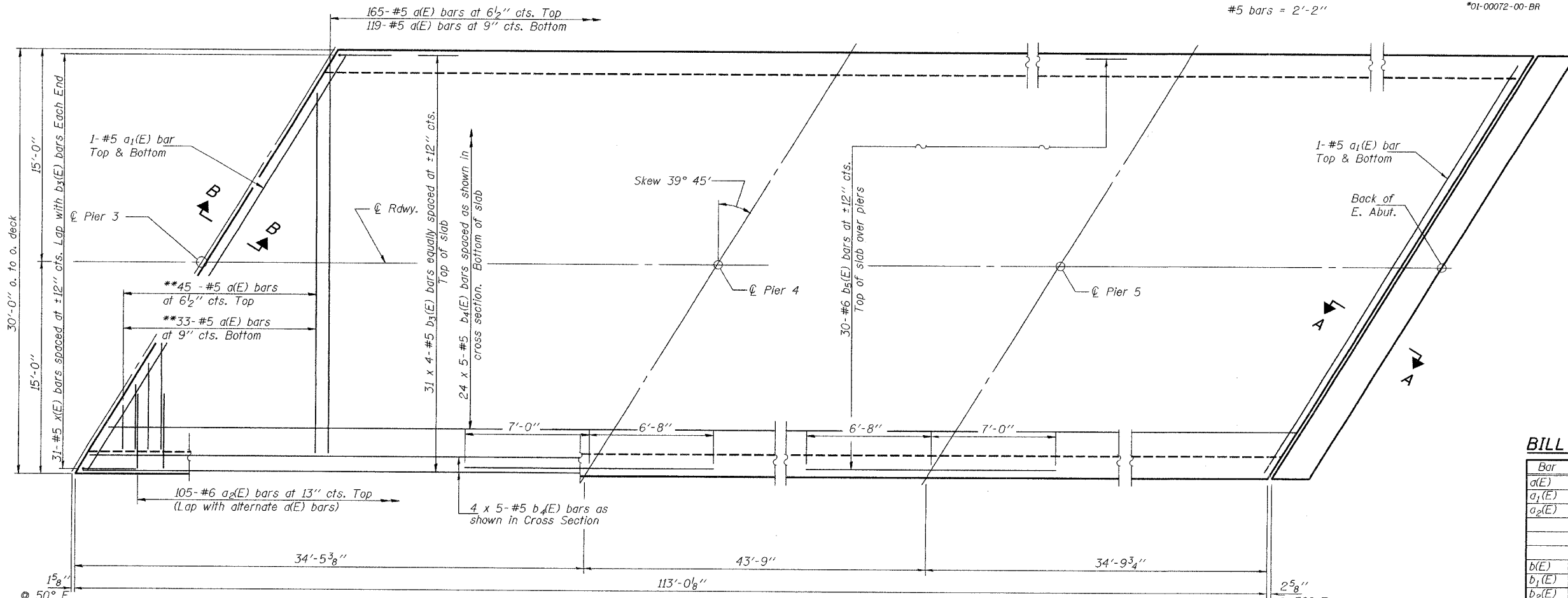


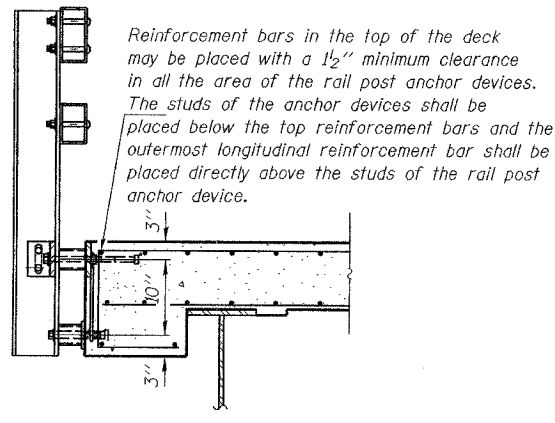
STATE OF ILLINOIS
DEPARTMENT OF TRANSPORTATION

MIN. BAR LAP
#5 bars = 2'-2"

ROUTE NO. F.A.S. 738	SECTION *	COUNTY Greene	DATE 28	SHEET NO. 10	SHEET NO. 6 20 SHEETS
FED. ROAD DIST. NO. 7		ILLINOIS		FED. AID PROJECT CONTRACT NO. 97249	
*01-00072-00-BR					



PLAN - UNIT 2



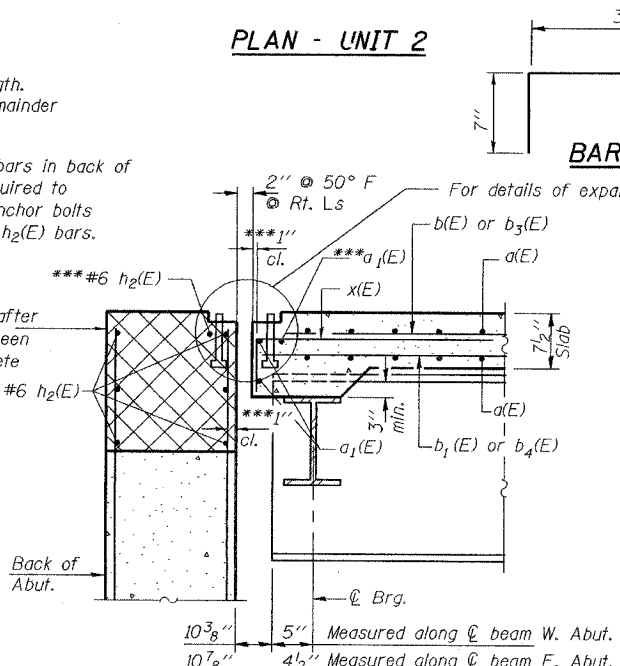
SECTION AT RAIL POST

Reinforcement bars in the top of the deck may be placed with a 1/2" minimum clearance in all the area of the rail post anchor devices. The studs of the anchor devices shall be placed below the top reinforcement bars and the outermost longitudinal reinforcement bar shall be placed directly above the studs of the rail post anchor device.

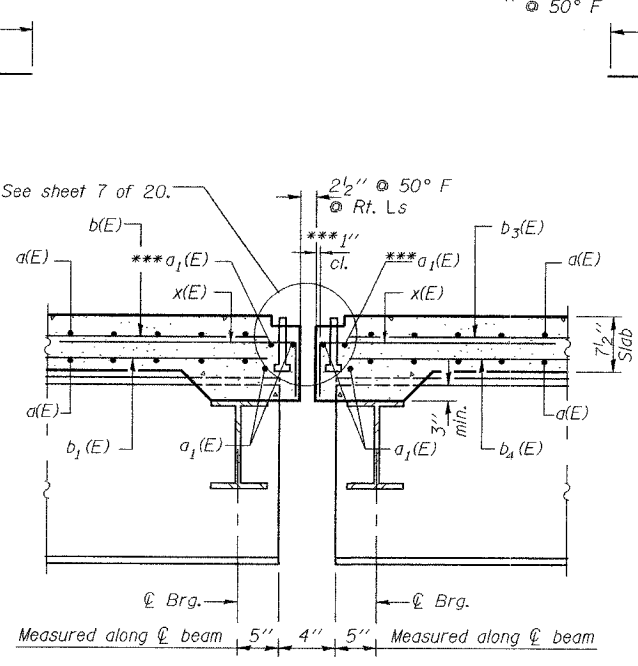
** Order a(E) bars full length. Cut to fit skew and use remainder of bars in opposite end.

*** Place a1(E) and h2(E) bars in back of anchor bolt as shown if required to maintain 1" cl. (+0-1/8"). Anchor bolts should be tied to a1(E) and h2(E) bars.

Hatched area to be formed after superstructure forms have been removed. Quantity of concrete included with Concrete Superstructure.



SECTION A-A
(Facing North)



SECTION B-B
(Facing North)

SUPERSTRUCTURE
BILL OF MATERIAL (2 UNITS)

Bar	No.	Size	Length	Shape	
a(E)	786	#5	29'-8"	—	
a1(E)	8	#5	38'-8"	—	
a2(E)	456	#6	7'-10"	—	
b(E)	124	#5	34'-10"	—	
b1(E)	160	#5	28'-4"	—	
b2(E)	60	#6	15'-10"	—	
b3(E)	124	#5	29'-11"	—	
b4(E)	160	#5	24'-4"	—	
b5(E)	60	#6	13'-8"	—	
x(E)	124	#5	4'-1"	—	
Reinforcement Bars, Epoxy Coated				Pound	50360
Concrete Superstructure				Cu. Yds.	198.4
Bridge Deck Grooving				Sq. Yd.	765

Reinforcement bars designated (E) shall be epoxy coated.
Bars indicated thus 31 x 4-#5 etc. indicates 31 line of bars with 4 lengths per line.
Work this sheet with sheet 5 of 20.

SUPERSTRUCTURE DETAILS
(UNIT 2)

F.A.S. 738 OVER
HURRICANE CREEK
SECTION 01-00072-00-BR
GREENE COUNTY
STA. 144+72.46
STR. NO. 031-3005

DESIGNED	ABG
CHECKED	ZBU
DRAWN	SMS
CHECKED	JFS

January 21, 2005
EXAMINED *Thomas J. Domagalaki*
PASSED *Ralph E. Anderson*
ENGINEER OF BRIDGES AND STRUCTURES