

CONTRACT NO. 97245

**THOUVENOT,
WADE &
MOERCHEN, INC.**
ENGINEERS • SURVEYORS • PLANNERS



CORPORATE OFFICE

4940 OLD COLLINSVILLE RD.
SWANSEA, ILLINOIS 62226
TEL 16181 624-4488
FAX 16181 624-6688
corp@twm-inc.com

WATERLOO OFFICE

118 EAST THIRD STREET
WATERLOO, ILLINOIS 62298
TEL 16181 939-5050
FAX 16181 939-3938
waterloo@twm-inc.com

ST. LOUIS OFFICE

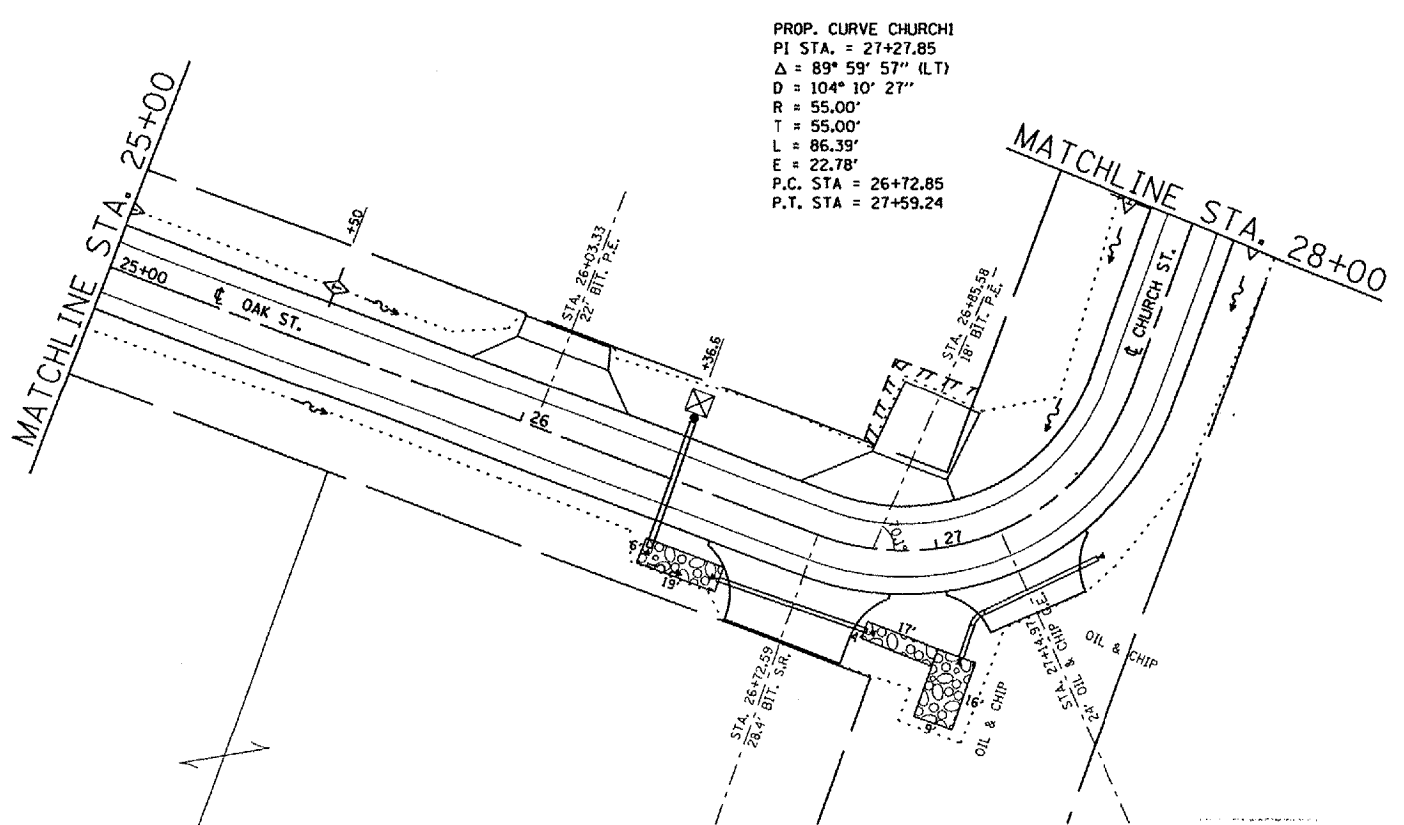
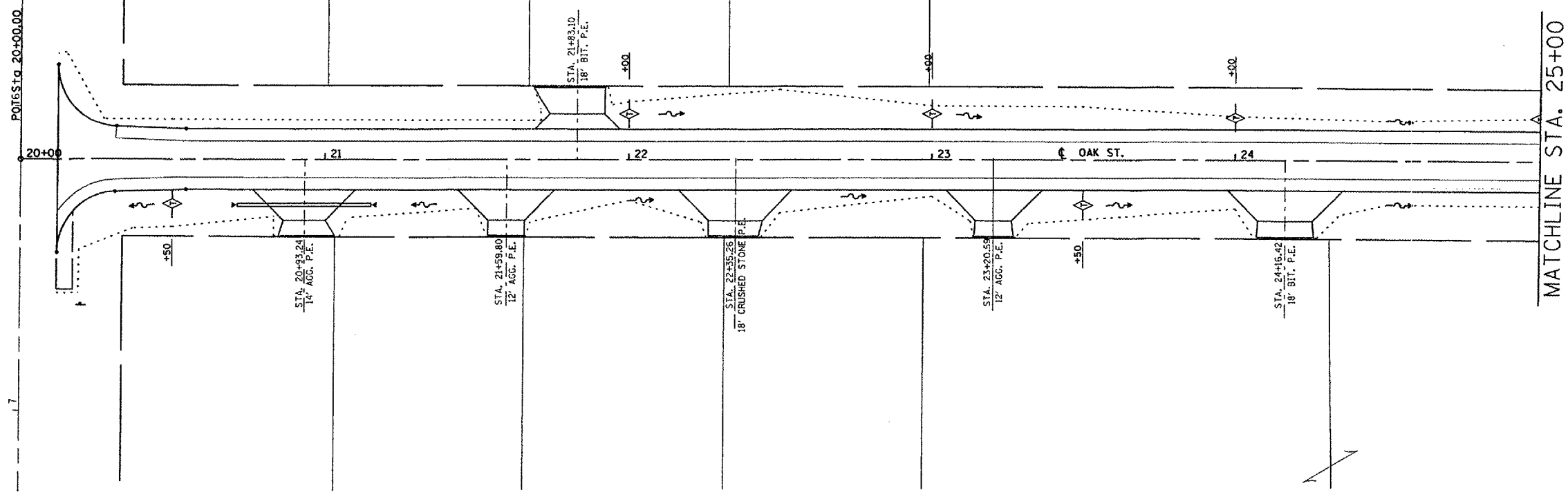
1001 CRAIG ROAD, SUITE 260
ST. LOUIS, MISSOURI 63146
TEL 13141 236-5052
FAX 13141 872-2194
stlouis@twm-inc.com

PROFESSIONAL REGISTRATIONS	LICENSE NO.
ILLINOIS PROFESSIONAL DESIGN FIRM	184-00220
PROFESSIONAL ENGINEERING CORP.	02-035370
PROFESSIONAL STRUCTURAL ENGR. CORP.	01-005202
ILLINOIS PROF. LAND SURVEYING CORP.	048-000029
MISSOURI PROFESSIONAL ENGR. CORP.	MC 001528
MISSOURI LAND SURVEYING CORP.	MC 000346

SEAL

Renewed Date:
Signature Date:

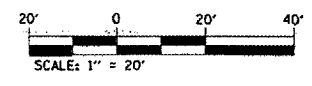
STATEMENT OF RESPONSIBILITY
I hereby certify that the document herein to be authorized by my seal is restricted to this sheet, and I hereby disclaim any responsibility for all other drawings, specifications, estimates, reports or other documents or instruments relating to or intended to be utilized for any other part of the architectural, engineering or survey project.



PROP. CURVE CHURCH
PI STA. = 27+27.85
 $\Delta = 89^\circ 59' 57''$ (LT)
 $D = 104^\circ 10' 27''$
 $R = 55.00'$
 $T = 55.00'$
 $L = 86.39'$
 $E = 22.78'$
P.C. STA = 26+72.85
P.T. STA = 27+59.24

LEGEND

- TEMPORARY DITCH CHECK
- STONE RIPRAP CLASS A4 WITH FILTER FABRIC
- INLET AND PIPE PROTECTION
- PERIMETER EROSION BARRIER



TITLE: **EROSION CONTROL SHEETS**

PROJECT: **BIKE TRAIL
VILLAGE OF SHILOH
ST. CLAIR COUNTY, ILLINOIS**

REV.	DATE	DESCRIPTION
△	/ /	
△	/ /	

DRAWN BY:	SGK	SHEET 16 OF 37 SHEETS
DESIGNED BY:		
CHECKED BY:		
CONTRACT NUMBER:	99781	
PROJECT NUMBER:		
<input checked="" type="checkbox"/> ISSUED FOR REVIEW <input type="checkbox"/> ISSUED FOR BIDDING <input type="checkbox"/> ISSUED FOR CONSTR. <input type="checkbox"/> RECORD DRAWING		

PLAN	SURVEYED	DATE
NOTE BOOK	PLOTTED	BY
NO.	RT. OF WAY CHECKED	
	ADD FILE NAME	

PROFILE	DATE
NOTE BOOK	BY
NO.	STRUCTURE NOTATIONS
	DATE

#FILES#
#DATES#