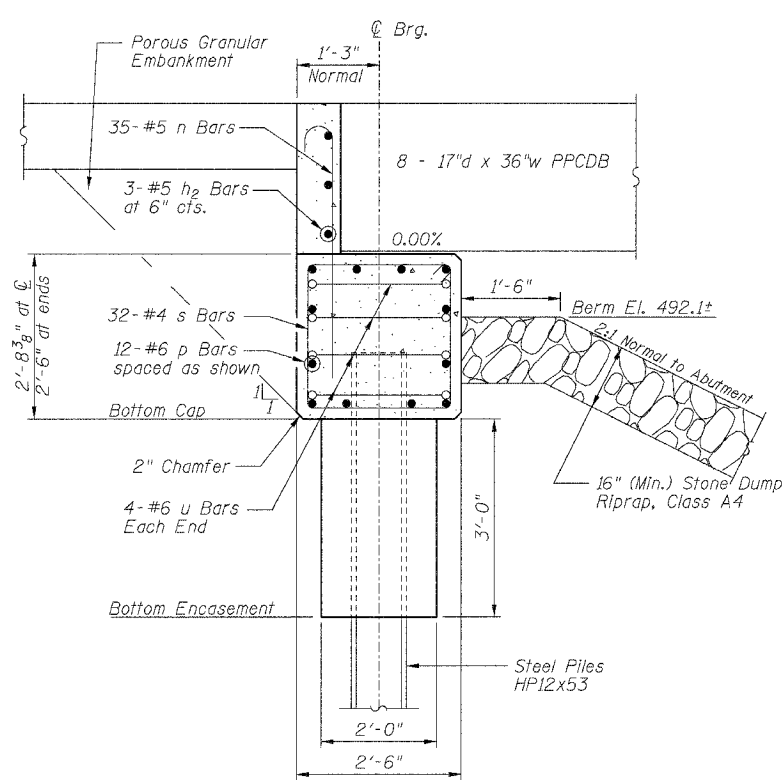
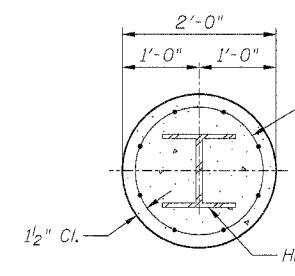


ROUTE	SECTION	COUNTY	TOTAL SHEETS	SHEET NO.
TR 22	04-15109-00-BR	MARION	10	9
FED. ROAD DIST. NO. 7		ILLINOIS	FED. AID PROJECT	
CONTRACT NO. 95430				



SECTION THRU ABUTMENT



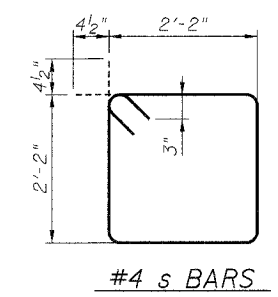
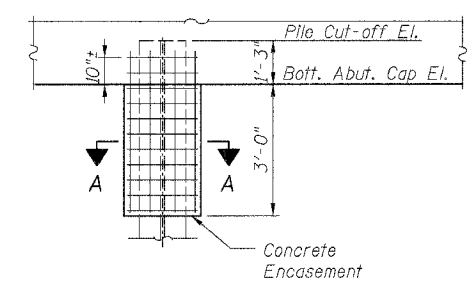
SECTION A-A

Welded wire fabric 6 x 6 - W4.0 x W4.0 weighing 58#/100 sq. ft. The cost of Excavation, Concrete Encasement & Reinforcement is incidental to the cost of furnishing piles. Forms for Encasement may be omitted when soil conditions permit.

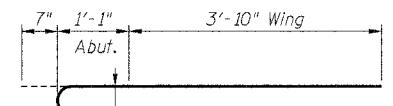
PILE ENCASEMENT DETAIL

GENERAL NOTES

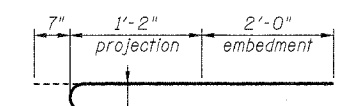
All exposed edges shall have standard 3/4" chamfer, unless otherwise noted.
 All clearances between rebar and form surface shall be 2", unless otherwise noted.
 Space reinforcement in cap to miss PPCDB dowel rods.



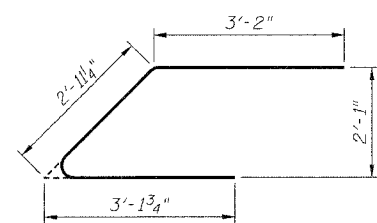
#4 s BARS



#5 h BARS



#5 n BARS



#6 u BARS

PILE DATA

Type:
 South Abutment Steel HP12x53
 North Abutment Steel HP12x53

Estimated Capacity:
 South Abutment 42 Ton
 North Abutment 42 Ton

Estimated Length:
 South Abutment 35 Foot
 North Abutment 35 Foot

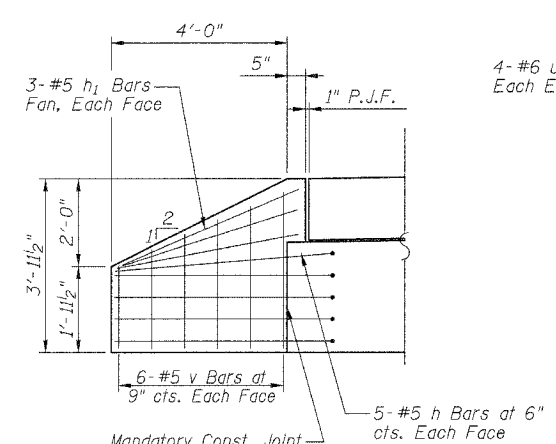
Number Required:
 South Abutment 4+1 Test Pile
 North Abutment 5

Total Estimated Length:
 (Does not include Test Pile)
 Steel HP12x53 315 Foot

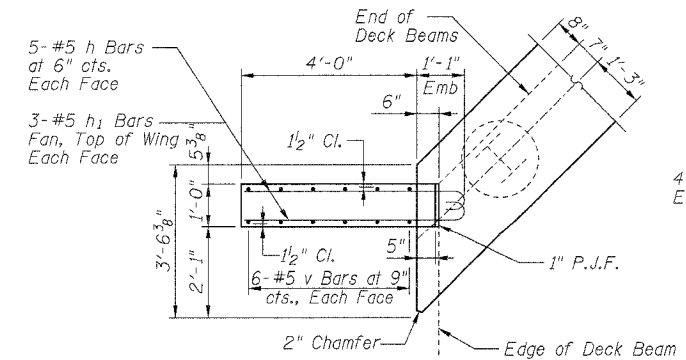
Drive to 42 Ton capacity per pile

BILL OF MATERIALS
 ONE ABUTMENT w/ WINGWALLS

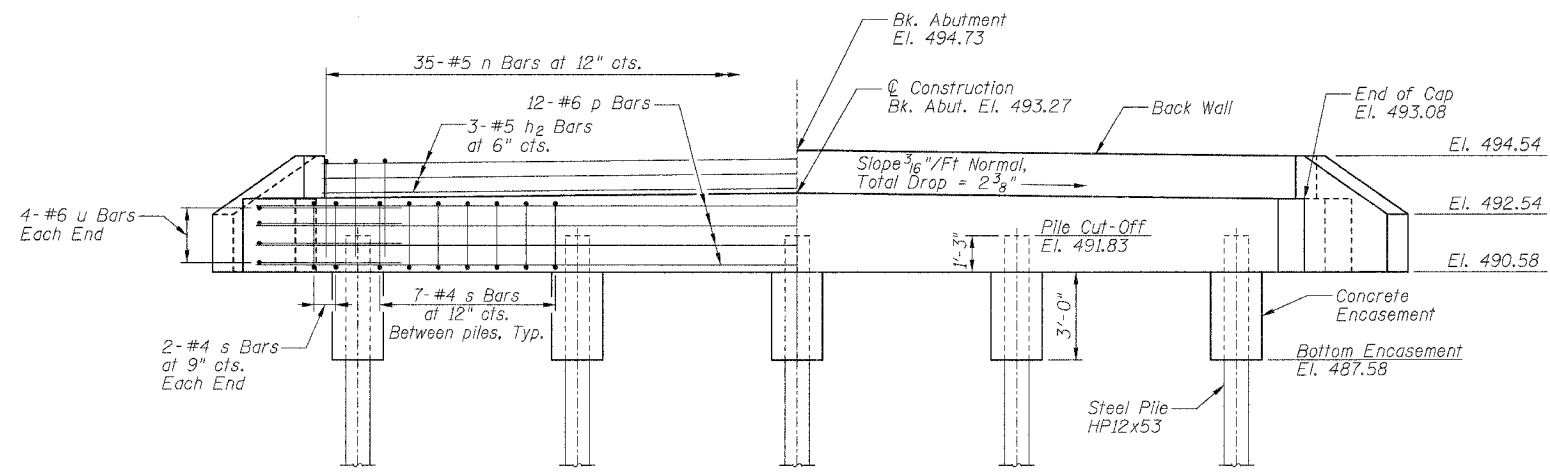
Bar	No.	Size	Length	Shape
h	20	#5	5'-6"	
h1	12	#5	4'-8"	
h2	3	#5	33'-6"	
n	35	#5	3'-9"	
p	12	#6	35'-0"	
s	32	#4	9'-5"	
u	8	#6	9'-3"	
v	24	#5	3'-9"	CUT IN FIELD
Concrete Structures			Cu. Yd.	10.7
Reinforcement Bars			Pound	1450



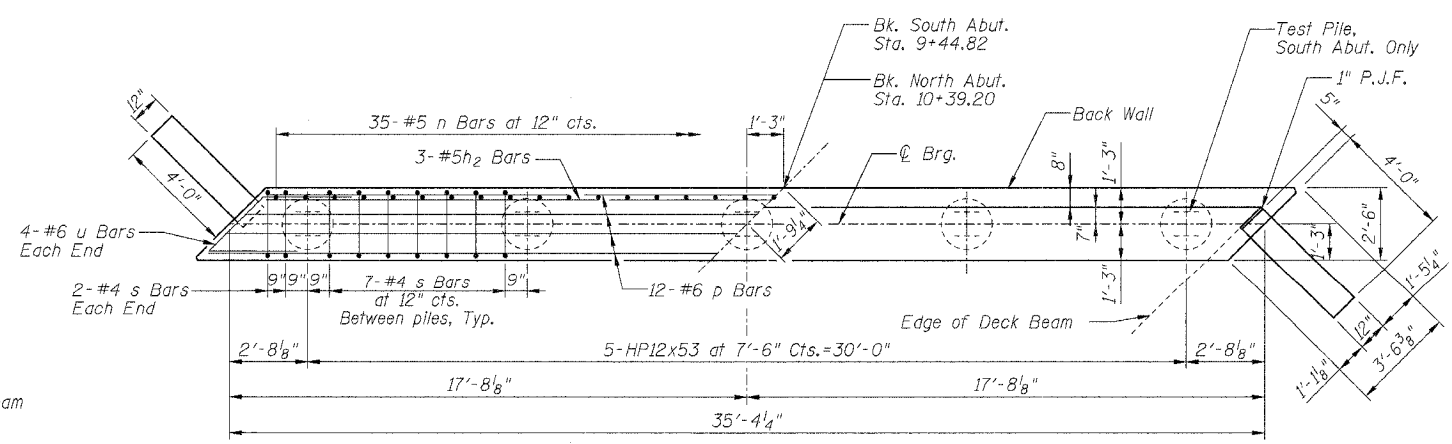
ELEVATION OF WINGWALL



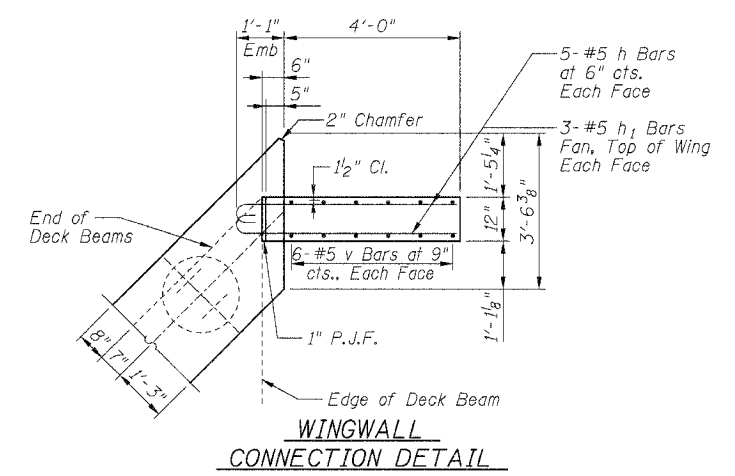
WINGWALL CONNECTION DETAIL



ELEVATION



PLAN



WINGWALL CONNECTION DETAIL

ABUTMENT DETAILS
 PROPOSED BRIDGE CARRYING
 TR 22 OVER LOST CREEK
 SECTION 04-15109-00-BR
 MARION COUNTY, ILLINOIS

03/15/2005