

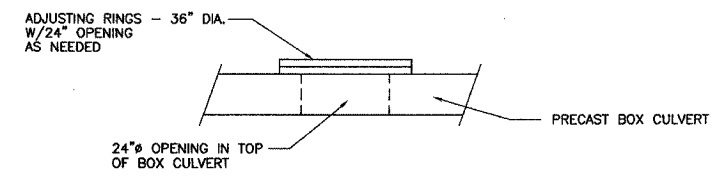
ROUTE	SECTION	CITY	TOTAL SHEETS	SHEET NO.
F.A.U. 8533	99-00043-00-PV	FLORA	18	4
CONTRACT NO. 95420		ILLINOIS	PROJECT M-5023(9)	

DRAINAGE STRUCTURES

NO.	DIST.	STA.	ITEM	GRATE	INV.
1	17' LT.	6+06	P.R.C.F.E.S. 12"	-	469.60
2	17' LT.	6+61	PIPE TEE, 12"P. 12"R.	-	468.68
3	32' LT.	6+60	INLET, TY-A, W/TY-11 F&G	470.91	468.94
4	42' LT.	6+56	EXISTING INLET	472.09	469.09
5	18' LT.	6+98	PIPE TEE, 12"P. 12"R.	-	468.09
6	21' LT.	6+98	INLET, TY-A, W/TY-23 F&G	470.57	468.25
7	28' LT.	7+13	INLET, TY-A, W/SALVAGED GRATE	469.65	468.30
8	18' LT.	7+60	M.H., TY-A, 4" DIA., W/TY-1 F&CL	470.35	466.97
9	14' LT.	7+60	INLET, TY-A, W/TY-23 F&G	469.86	466.56
10	18' LT.	8+00	PIPE TEE, 18"P. 12"R.	-	466.56
11	29' LT.	8+00	INLET, TY-A, W/TY-8 GR	469.50	466.86
12	18' LT.	8+50	PIPE TEE, 18"P. 12"R.	-	466.05
13	14.5' LT.	8+50	INLET, TY-A, W/TY-23 F&G	469.10	466.35
14	18' LT.	8+60	PIPE TEE, 18"P. 12"R.	-	465.95
15	29' LT.	8+60	INLET, TY-A, W/TY-8 GR	468.75	466.30
16	18' LT.	9+35	PIPE TEE, 18"P. 12"R.	-	465.19
17	14.5' LT.	9+35	INLET, TY-A, W/TY-23 F&G	468.77	464.52
18	18' LT.	10+00	PIPE TEE, 18"P. 12"R.	-	464.52
19	28' LT.	10+00	INLET, TY-A, W/TY-8 GR	467.50	465.00
20	18' LT.	10+15	PIPE TEE, 18"P. 12"R.	-	464.37
21	14.5' LT.	10+15	INLET, TY-A, W/TY-23 F&G	468.45	464.67
22	18' LT.	10+35	PIPE TEE, 18"P. 12"R.	-	464.17
23	28' LT.	10+35	INLET, TY-A, W/TY-8 GR	467.50	465.00
24	18' LT.	11+21	CONNECT TO BOX CULVERT	-	463.30
25	14.5' LT.	11+22	INLET, SPECIAL, W/TY-23 F&G	468.03	-
26	18' LT.	11+42	CONNECT TO BOX CULVERT	-	463.64
27	18' LT.	11+80	PIPE TEE, 18"P. 12"R.	-	463.88
28	14.5' LT.	11+80	INLET, TY-A, W/TY-23 F&G	467.83	464.18
29	18' LT.	12+48	M.H., TY-A, 4" DIA., W/TY-1 F&CL	468.20	464.31
30	14.5' LT.	12+48	INLET, SPECIAL, W/TY-11 F&G	467.73	464.35
31	14.5' LT.	12+53	INLET, TY-A, W/TY-11 F&G	467.73	464.40
32	14.5' LT.	13+60	PIPE TEE, 18"P. 12"R.	-	465.13
33	29' LT.	13+60	INLET, TY-A, W/TY-8 GR	467.50	465.23
34	18' LT.	13+68	PIPE TEE, 18"P. 12"R.	-	465.18
35	14.5' LT.	13+68	INLET, TY-A, W/TY-23 GR	467.99	465.48
36	18' LT.	14+80	M.H., TY-A, 4" DIA., W/TY-1 F&CL	469.05	465.90
37	14.5' LT.	14+80	INLET, TY-A, W/TY-23 F&G	468.76	466.05
38	34' LT.	14+80	P.R.C.F.E.S. 18" W/GRATING	-	467.00
39	18' LT.	15+43	M.H., TY-A, 4" DIA., W/TY-1 F&CL	469.70	466.50
40	14.5' LT.	15+43	INLET, TY-A, W/TY-23 F&G	469.43	466.55
41	32' LT.	15+55	INLET, TY-A, W/TY-8 GR	469.25	466.68
42	32' LT.	16+25	INLET, TY-A, W/TY-8 GR	469.50	467.38
43	14.5' LT.	16+25	INLET, TY-A, W/TY-23 F&G	470.34	467.93
44	32' LT.	16+65	INLET, TY-A, W/TY-8 GR	469.50	467.78
45	30' LT.	19+45	INLET, TY-A, W/TY-8 GR	471.50	468.00
46	31' LT.	19+99	PIPE TEE, 12"P. 12"R.	-	467.74
47	14.5' LT.	20+00	INLET, TY-A, W/TY-23 F&G	471.29	468.79
48	33' LT.	20+68	PIPE TEE, 12"P. 12"R.	-	467.40
49	14.5' LT.	20+68	INLET, TY-A, W/TY-23 F&G	470.04	467.60
50	35' LT.	21+37	PIPE TEE, 12"P. 12"R.	-	467.04
51	14.5' LT.	21+38	INLET, TY-A, W/TY-11 F&G	469.60	467.14
52	14.5' LT.	21+33	INLET, TY-A, W/TY-11 F&G	469.60	467.20
53	37' LT.	22+21	M.H., TY-A, 4" DIA., W/TY-1 F&CL	470.00	466.62
54	26' LT.	22+21	INLET, TY-A, W/TY-23 F&G	470.21	466.70
55	63' LT.	22+21	P.R.C.F.E.S. 12"	-	466.50
56	18' RT.	6+06	P.R.C.F.E.S. 12"	-	469.60
57	17' RT.	6+82	PIPE TEE, 12"P. 12"R.	-	468.46
58	28' RT.	6+82	INLET, TY-A, W/TY-8 GR	469.90	468.52
59	18' RT.	7+09	PIPE TEE, 12"P. 12"R.	-	468.08
60	55' RT.	7+08	PIPE TEE, 12"P. 12"R.	-	468.27
61	66' RT.	7+07	INLET, TY-A, W/TY-8 GR	469.70	468.32
62	56' RT.	7+25	INLET, TY-A, W/TY-8 GR	469.70	468.39
63	19.5' RT.	7+60	M.H., TY-A, 4" DIA., W/TY-1 F&CL	470.35	467.32
64	14.5' RT.	7+60	INLET, TY-A, W/TY-23 F&G	469.86	467.36
65	19.5' RT.	8+50	PIPE TEE, 12"P. 12"R.	-	466.30
66	14.5' RT.	8+50	INLET, TY-A, W/TY-23 F&G	469.10	466.35
67	19.5' RT.	9+35	PIPE TEE, 12"P. 12"R.	-	465.44
68	14.5' RT.	9+35	INLET, TY-A, W/TY-23 F&G	468.77	465.50
69	19.5' RT.	9+65	PIPE TEE, 12"P. 12"R.	-	465.13
70	29' RT.	9+65	INLET, TY-A, W/TY-8 GR	468.50	466.00
71	19.5' RT.	10+15	PIPE TEE, 12"P. 12"R.	-	464.62
72	14.5' RT.	10+15	INLET, TY-A, W/TY-23 F&G	468.45	464.67
73	19.5' RT.	11+01	CONNECT TO BOX CULVERT	-	463.75
74	14.5' RT.	11+22	INLET, SPECIAL, W/TY-23 F&G	468.06	-
75	19.5' RT.	11+23	CONNECT TO BOX CULVERT	-	463.75
76	19.5' RT.	11+80	PIPE TEE, 18"P. 12"R.	-	464.12
77	14.5' RT.	11+80	INLET, TY-A, W/TY-23 F&G	467.83	464.42
78	19.5' RT.	12+48	M.H., TY-A, 4" DIA., W/TY-1 F&CL	468.20	464.56
79	14.5' RT.	12+48	INLET, SPECIAL, W/TY-11 F&G	467.73	464.60
80	14.5' RT.	12+53	INLET, TY-A, W/TY-11 F&G	467.73	464.65
81	19.5' RT.	13+10	PIPE TEE, 12"P. 12"R.	-	465.05
82	29' RT.	13+10	INLET, TY-A, W/TY-8 GR	467.50	465.05
83	19.5' RT.	13+60	PIPE TEE, 12"P. 12"R.	-	465.37
84	14.5' RT.	13+60	INLET, TY-A, W/TY-23 F&G	467.95	465.45
85	19.5' RT.	14+50	M.H., TY-A, 4" DIA., W/TY-1 F&CL	469.00	465.95
86	14.5' RT.	14+50	INLET, TY-A, W/TY-23 F&G	468.50	466.00
87	19.5' RT.	15+70	PIPE TEE, 12"P. 12"R.	-	467.20
88	14.5' RT.	15+70	INLET, TY-A, W/TY-23 F&G	469.78	467.26
89	19.5' RT.	16+95	M.H., TY-A, 4" DIA., W/TY-1 F&CL	471.75	468.40
90	14.5' LT.	16+95	INLET, TY-A, W/TY-23 F&G	471.28	468.70
91	29' RT.	17+13	INLET, TY-A, W/TY-8 GR	470.25	468.70
92	19.5' RT.	20+00	M.H., TY-A, 4" DIA., W/TY-1 F&CL	471.80	467.59
93	14.5' RT.	20+00	INLET, TY-A, W/TY-23 F&G	471.29	467.64
94	19.5' RT.	21+38	M.H., TY-A, 4" DIA., W/TY-1 F&CL	470.10	466.12
95	14.5' RT.	21+38	INLET, TY-A, W/TY-11 F&G	469.60	467.54
96	14.5' RT.	21+33	INLET, TY-A, W/TY-11 F&G	469.60	467.58
97	30' RT.	22+21	INLET, TY-A, W/TY-23 F&G	469.70	465.70
98	71' RT.	22+21	P.R.C.F.E.S. 12"	-	465.30
R1	24' LT.	6+63	REMOVING INLETS	-	-
R2	15' LT.	6+98	REMOVING INLETS	-	-
R3	19' LT.	7+00	REMOVING INLETS	-	-

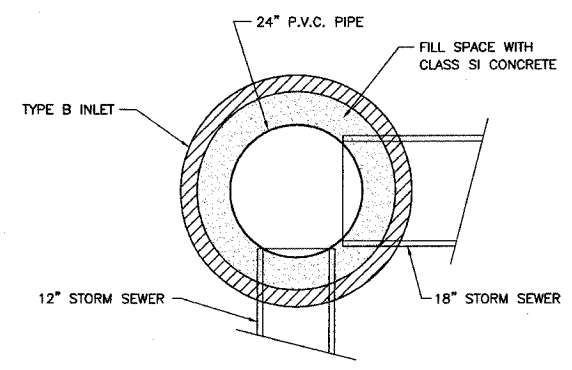
STORM SEWERS

LOCATION	TY-1,12"	W.M.R. 12"	W.M.R. 18"	TR.B'FILL
1 TO 2		50		2.0
2 TO 3		13		1.7
2 TO 5		35		4.6
5 TO 6		3		0.4
5 TO 8		60		4.8
7 TO 8		46		2.1
8 TO 9		2		0.3
8 TO 10			38	
10 TO 11			10	
10 TO 12			50	
12 TO 13		4		0.6
12 TO 14			10	1.3
14 TO 15			10	
14 TO 16			75	4.5
16 TO 17		4		0.7
17 TO 18			64	
18 TO 19		14		
18 TO 20			14	3.1
20 TO 21		4		1.1
20 TO 22			20	5.1
22 TO 23		14		
22 TO 24			85	
26 TO 27			38	
27 TO 28		4		0.8
27 TO 29			68	
29 TO 30			4	0.9
30 TO 31		4		0.9
29 TO 32			100	2.6
32 TO 33				
32 TO 34		10		
34 TO 35			8	
34 TO 36		4		0.5
34 TO 37			110	
36 TO 37				
36 TO 38			6	0.6
36 TO 39			40	
39 TO 40		4		0.6
40 TO 41			18	
41 TO 42			68	7.7
42 TO 43			15	0.5
43 TO 44			38	3.3
45 TO 46	54			6.3
46 TO 47	16			0.4
46 TO 48	66			6.9
48 TO 49	18			0.4
48 TO 50	70			
50 TO 51	18			0.4
51 TO 52	4			0.5
50 TO 53	82			
53 TO 54	10			0.7
53 TO 55	20			
56 TO 57	70			1.6
57 TO 58	8			
57 TO 59	26			3.4
59 TO 60	36			4.8
60 TO 61	10			
60 TO 62	24			2.4
59 TO 63	48			4.0
63 TO 64	5			0.4
63 TO 65	88			
65 TO 66	5			0.5
65 TO 67	84			
67 TO 68	5			0.6
67 TO 69	28			
69 TO 70	8			
69 TO 71	50			5.3
71 TO 72	5			0.8
72 TO 73	86			6.9
75 TO 76			58	
76 TO 77	5			0.7
76 TO 78			66	
78 TO 79			3	0.6
79 TO 80	5			1.0
78 TO 81	62			
81 TO 82	8			
81 TO 83	50			4.8
83 TO 84	5			0.4
83 TO 85	88			
85 TO 86	5			0.4
85 TO 87	118			
87 TO 88	5			0.4
87 TO 89	124			3.3
89 TO 90	5			0.4
89 TO 91	18			
92 TO 93	5			0.4
92 TO 94	134			
94 TO 95	5			0.4
95 TO 96	4			0.5
94 TO 97	82			1.0
97 TO 98	34			1.0
R1				0.7
R2				0.7
R3				0.7
	1706	414	895	114.4



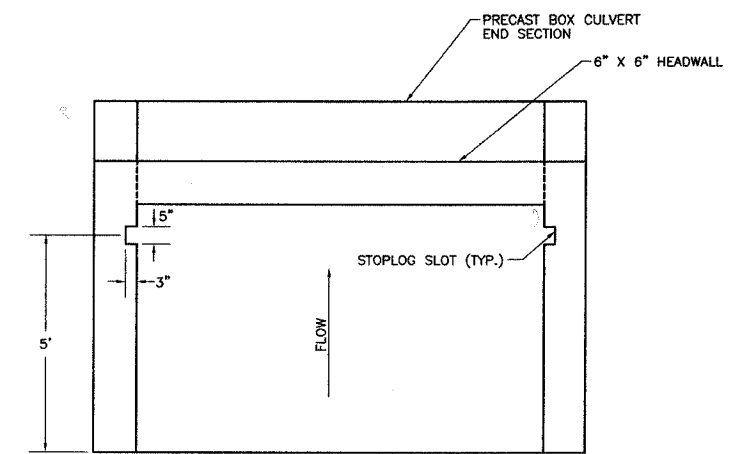
INLET, SPECIAL, W/TY-23 F. & G.

LT. STA. 11+22
RT. STA. 11+22



INLET, B, SPECIAL, W/TY-11 F&G

LT. STA. 12+48
RT. STA. 12+48



BOX CULVERT END SECTION STOPLOG SLOT DETAIL

BOTH UPSTREAM END SECTIONS ONLY