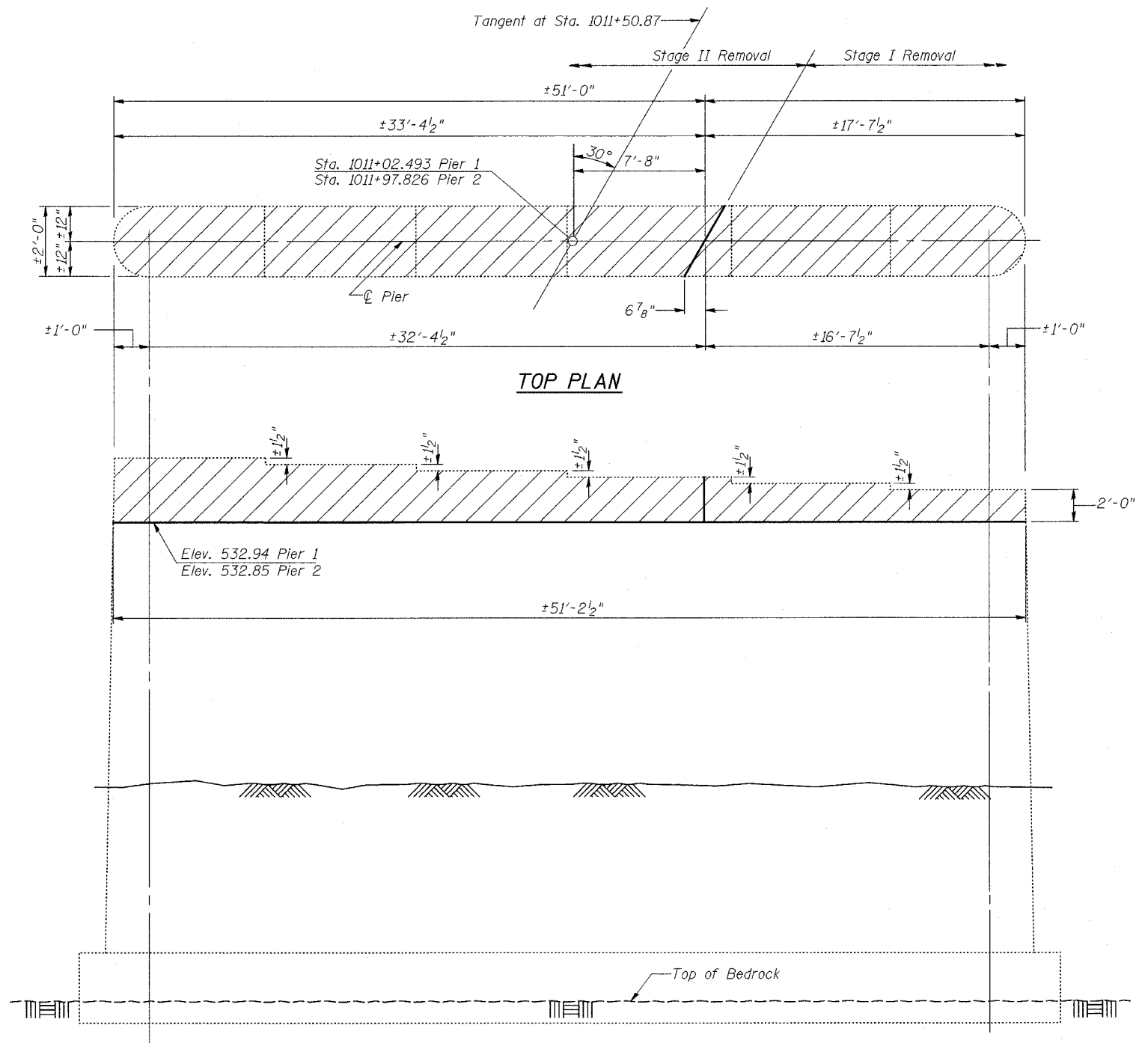
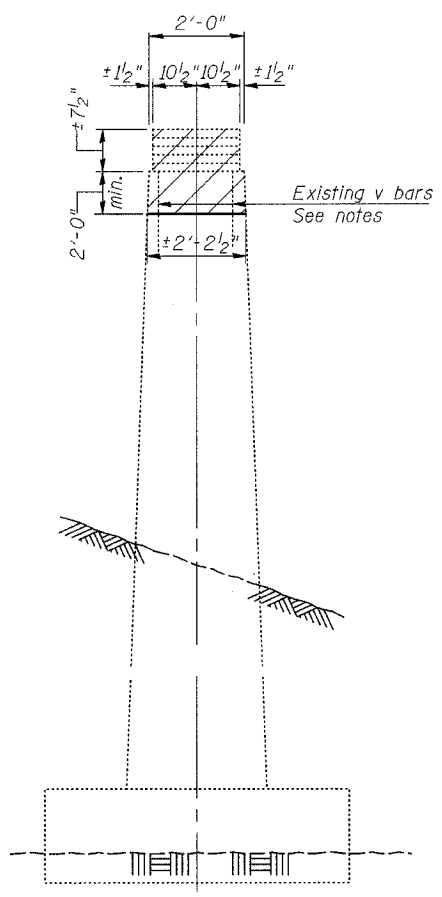


CONTRACT NO. 94827



**TOP PLAN**

**ELEVATION**  
(Looking East)



**END VIEW**

**NOTES**

Hatched areas indicate Concrete Removal.  
Existing v bars extending into the new construction shall be cleaned, straightened and incorporated into the new construction. Cost included with Concrete Removal.

**BILL OF MATERIAL (2-PIERS)**

Item	Unit	Quantity
Concrete Removal	Cu. Yd.	18.4

SHEET TITLE <b>PIERS 1 &amp; 2 CONCRETE REMOVAL</b>	
PROJECT IL RTE. 32/33 OVER LITTLE WABASH RIVER F.A.P. RTE. 774 SECTION 107BY EFFINGHAM COUNTY STATION 1011+50.17 STRUCTURE NO. 025-0078	PROJECT NO. 02017 SCALE DATE DRAWN BY TFG CHECKED BY GJB/MCB DRAWING NO.
<b>COOMBE-BLOXDORF P.C.</b> Engineers/Land Surveyors Springfield, Illinois Design Firm License No. 184-002708	
23	
OF 29 SHTS	