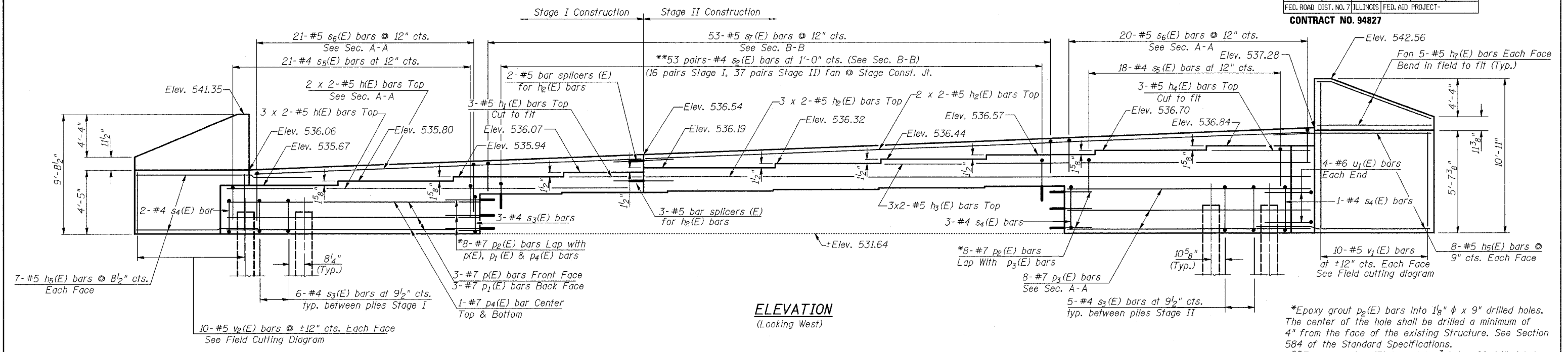
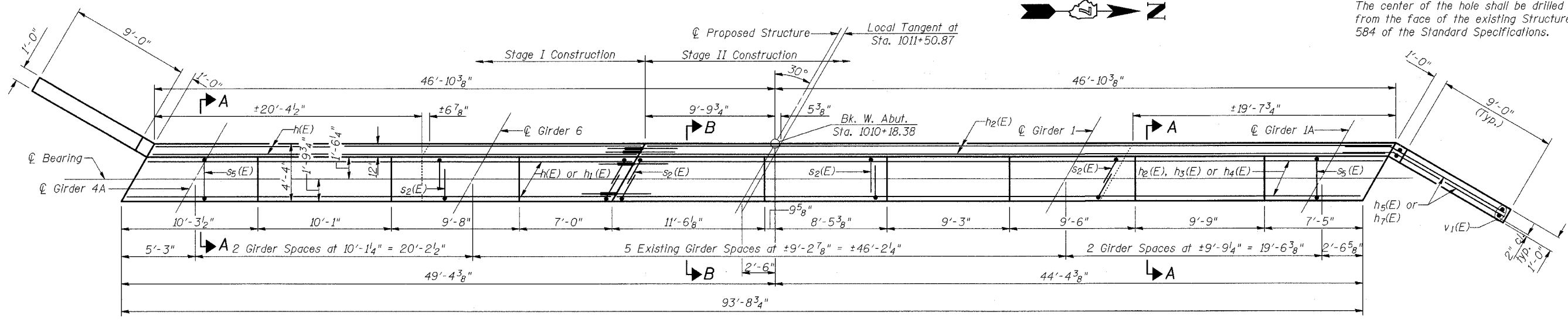


ROUTE NO.	SECTION	COUNTY	TOTAL SHEETS	SHEET NO.	SHEET NO. 18 29 SHEETS
F.A.P. RTE. 774	107BY	EFFINGHAM	273	244	
FED. ROAD DIST. NO. 7 ILLINOIS FED. AID PROJECT-					

CONTRACT NO. 94827



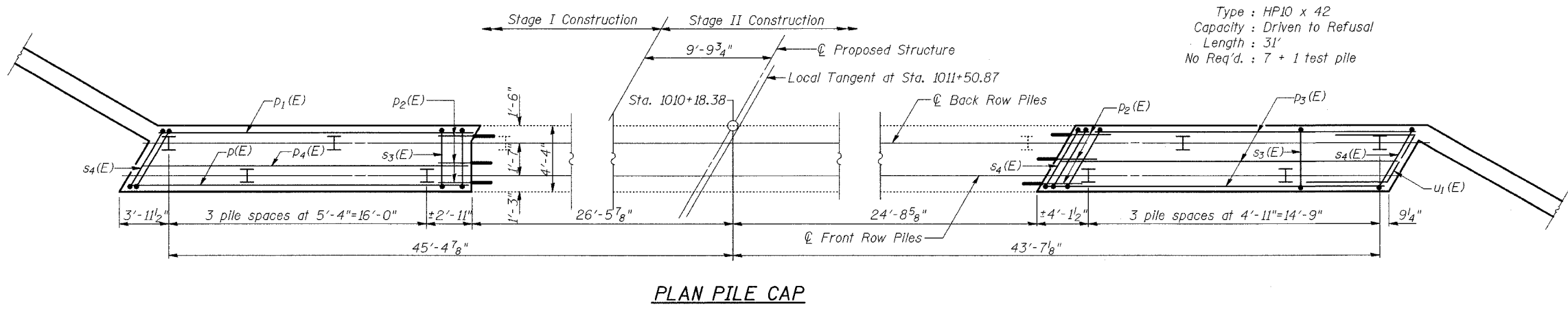
*Epoxy grout $p_2(E)$ bars into $1\frac{1}{8}$ " ϕ x 9" drilled holes. The center of the hole shall be drilled a minimum of 4" from the face of the existing structure. See Section 584 of the Standard Specifications.
**Epoxy grout $s_2(E)$ bars into $\frac{3}{4}$ " ϕ x 9" drilled holes. The center of the hole shall be drilled a minimum of 4" from the face of the existing structure. See Section 584 of the Standard Specifications.



PILE DATA

Type : HP10 x 42
Capacity : Driven to Refusal
Length : 31'
No Req'd. : 7 + 1 test pile

Min. Bar Lap
#5 bars = 1'-8"



Work this sheet with sheet 19 of 29.

SHEET TITLE WEST ABUTMENT		PROJECT NO. 02017
PROJECT IL RTE. 32/33 OVER LITTLE WABASH RIVER F.A.P. RTE. 774 SECTION 107BY EFFINGHAM COUNTY STATION 1011+50.17 STRUCTURE NO. 025-0078	SCALE	DATE
COOMBE-BLOXDORF P.C. Engineers/Land Surveyors Springfield, Illinois Design Firm License No. 184-002703	DRAWN BY TFC	18
	CHECKED BY GJB/MCB	
DRAWING NO.		OF 29 SHTS

west-abut-proposed