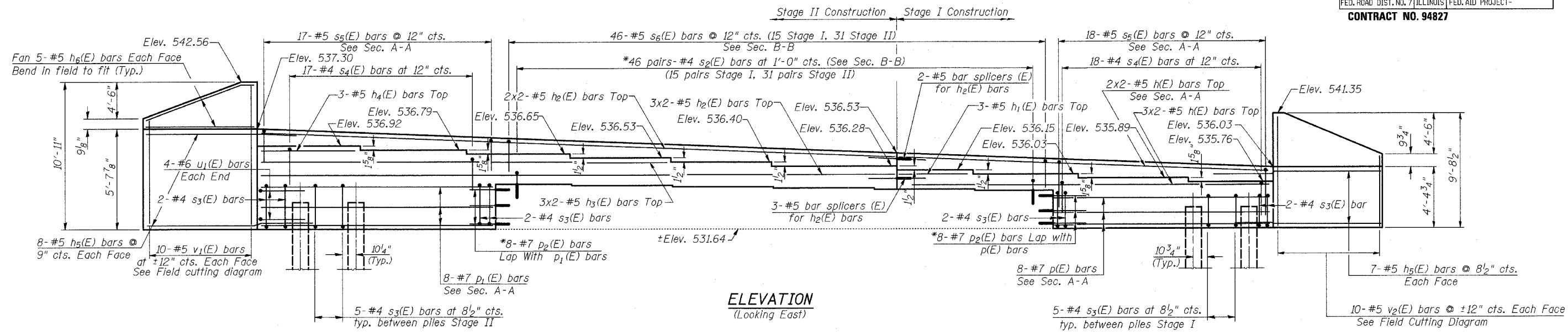
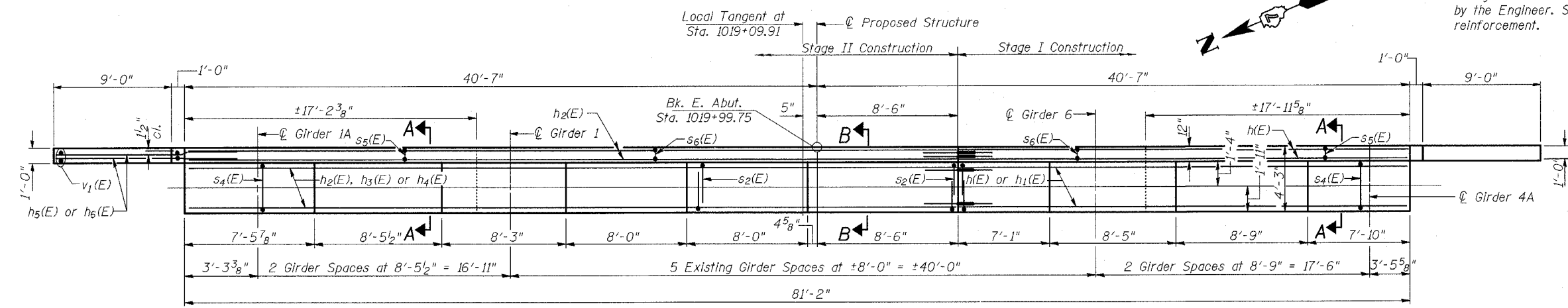


CONTRACT NO. 94827



ELEVATION
(Looking East)

*Epoxy grout bars 9" deep minimum drilled holes according to Section 584 of the Standard Specifications. The grout and method of application shall be approved by the Engineer. Space p₂(E) bars to miss existing reinforcement.



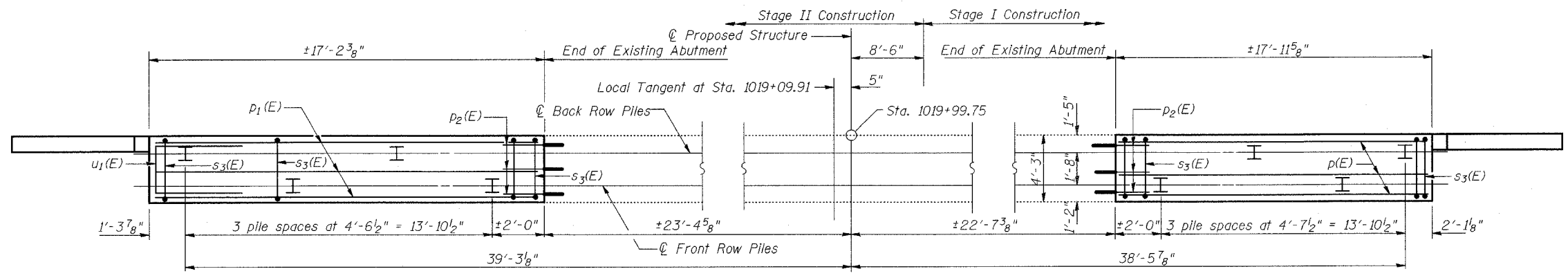
PLAN

PILE DATA

Type : HP10 x 57
Capacity : Driven to Refusal
Length : 18'
No Req'd. : 7 + 1 test pile

Min. Bar Lap

#5 bars = 1'-8"



PLAN PILE CAP
Existing piles not shown

Work this sheet with sheet 20 of 26.

SHEET TITLE EAST ABUTMENT		
PROJECT IL RTE. 32/33 OVER LITTLE WABASH RIVER OVERFLOW F.A.P. RTE. 774 SECTION 107BY-1 EFFINGHAM COUNTY STATION 1018+86.92 STRUCTURE NO. 025-0077	PROJECT NO. 02017	SCALE DATE DRAWN BY TFC CHECKED BY KPS/CME/MCB DRAWING NO.
COOMBE-BLOXDORF P.C. Engineers/Land Surveyors Springfield, Illinois Design Firm License No. 184-002703		19 OF 26 SHTS