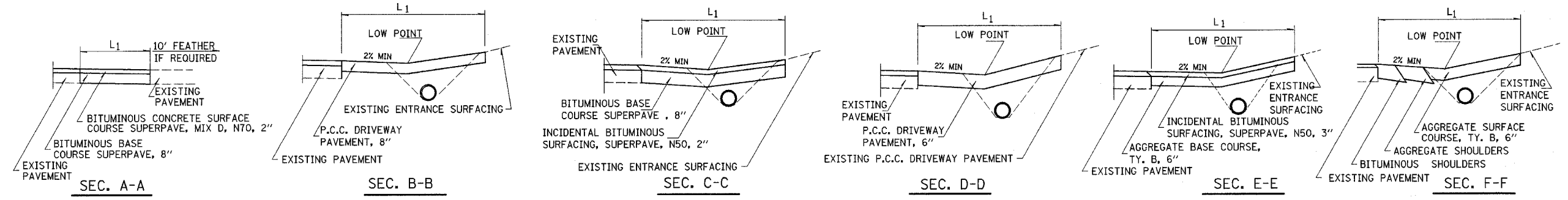
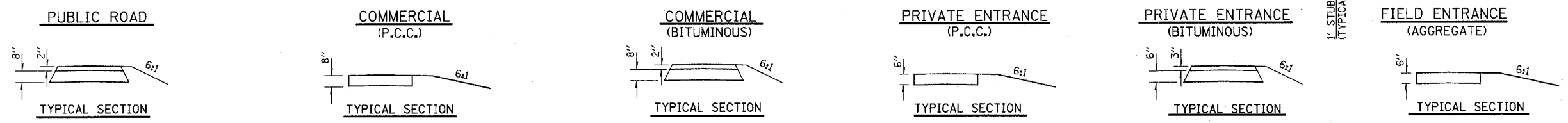
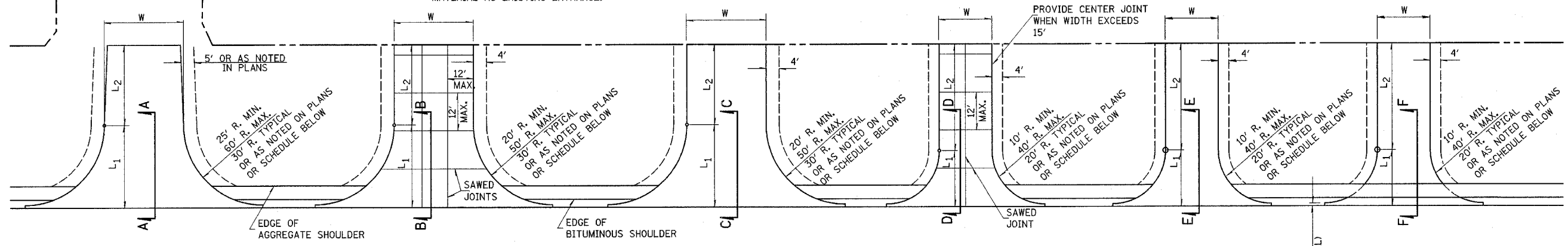


L₁ = DISTANCE FROM EDGE OF PAVEMENT TO RADIUS POINT OR MAX. DISTANCE 30'
L₂ = DISTANCE FROM RADIUS POINT OR MAX DISTANCE 30' OFF EDGE OF PAVEMENT TO R.O.W. LINE.
NOTE: MATERIAL USED TO CONSTRUCT L₂ LENGTH SHALL BE OF THE SAME TYPE OF MATERIAL AS EXISTING ENTRANCE.



PUBLIC ROAD SCHEDULE

EXIST SURFACE	SIDE/STATION	WIDTH	LENGTH		RADI	TEMPORARY ACCESS (ROAD)		
			L ₁	L ₂		BITUMINOUS BASE COURSE SUPERPAVE, 8"	BIT. CONCRETE SURFACE COURSE SUPERPAVE, MIX D, NTO	EACH
O&C	NAZARENE RD RT/955+28.27	①	-	-	-	-	-	1
O&C	WEBB ST LT/958+10.00	-	-	-	-	427	48	1
O&C	BRIARWOOD DR LT/969+63.16	-	-	-	-	293	33	1
O&C	LYNN ACRES DR RT/974+61.71	-	-	-	-	316	35	1
O&C	CTRY ESTS RD LT/977+46.69	-	-	-	-	214	24	1
BIT	LEPRECHAUN LN LT/982+15.24	-	-	-	-	122	14	1

PUBLIC ROAD SCHEDULE

EXIST SURFACE	SIDE/STATION	WIDTH	LENGTH		RADI	TEMPORARY ACCESS (ROAD)		
			L ₁	L ₂		BITUMINOUS BASE COURSE SUPERPAVE, 8"	BIT. CONCRETE SURFACE COURSE SUPERPAVE, MIX D, NTO	EACH
BIT	IRISH HILL LT/991+30.47	-	-	-	-	238	27	1
O&C	WSH RIVER HILL RT/991+35.27	-	-	-	-	463	52	1
BIT	1200TH ST LT/1015+03.93	-	-	-	-	196	22	1
O&C	LAKE RD LT/1023+77.06	-	-	-	-	226	25	1
O&C	WOOD BIRD DR RT/1037+50.00	-	-	-	-	123	14	1
CONC	FORD AVE RT/42+30.86	-	-	-	-	503	56	1

NOTE:
FOR GEOMETRY OF PUBLIC ROAD RETURNS, SEE INTERSECTION GEOMETRIC DETAILS.
① AT NAZARENE RD: RETURN NOT REBUILT, EXISTING ROAD WIDENED. SEE "SCHEDULE OF QUANTITIES"

REVISIONS	
NAME	DATE

ILLINOIS DEPARTMENT OF TRANSPORTATION
RURAL ENTRANCE
DETAILS & SCHEDULES
SHEET 2 OF 2
DRAWN BY DIST 7
CHECKED BY BWC
DATE 8/02

DGN-SPEC
DATE