

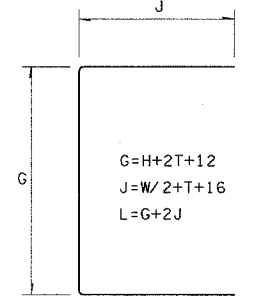
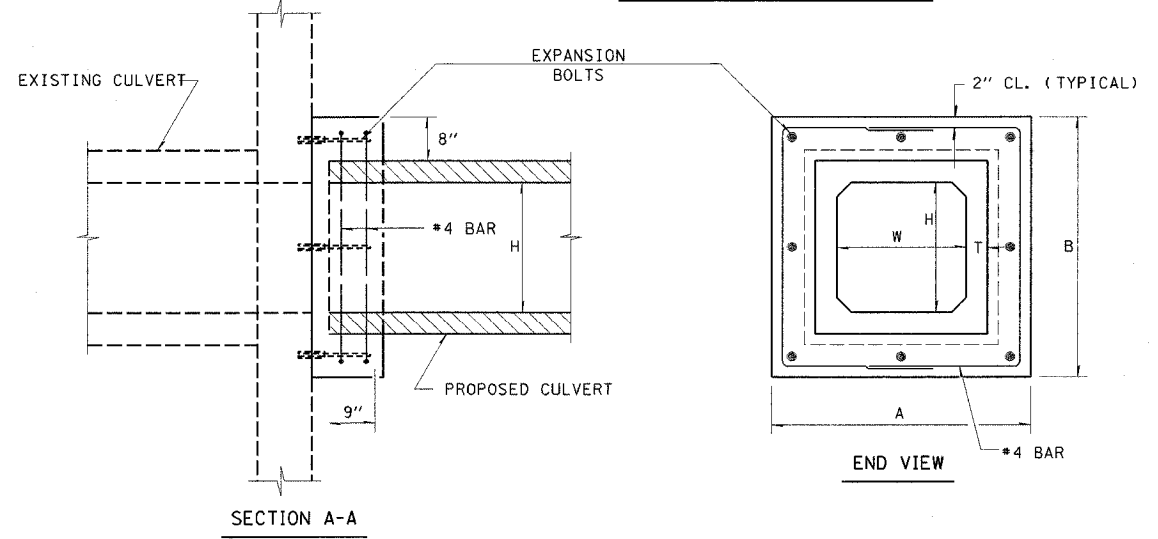
2 3 4 5 6 7 8 9 1/31/2005  
 c:\projects\94652d\02101pa.dgn  
 INO REV: 05-03-96  
 EC CD  
 555657585960616263

FAP #/L	SECTION	COUNTY	TOTAL SHEETS	SHEET NO.
332	(1012)W.RS	WHITE/EDWARDS	198	62
FED. ROAD DIST. NO. 1		ILLINOIS	FED. AID PROJECT NO.	

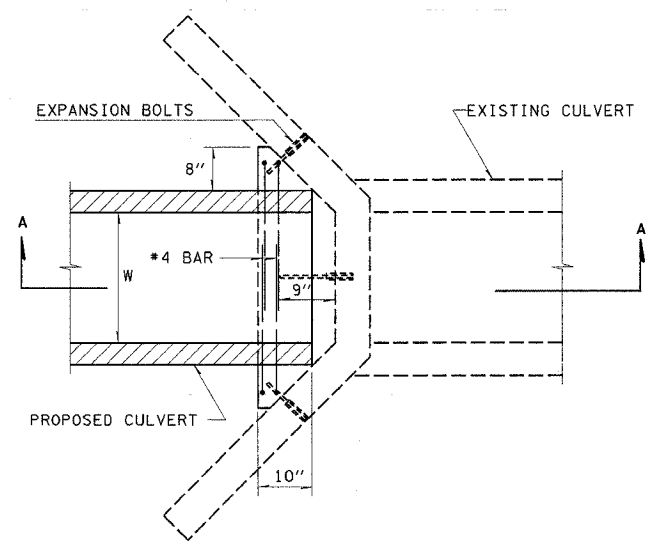
CONTRACT NO. 94652

CONCRETE COLLAR SCHEDULE													
SIDE	STATION	DIMENSIONS						REINFORCEMENT BARS					EXPANSION BOLTS EACH
		A	B	C	W	H	T	G	J	L	NUMBER BARS	POUND	
RT.	11+22	62.625	60	21.25	36	36	4	56	38	132	6	44.1	8
LT.	16+90	72.125	74	51.75	48	48	5	70	45	160	6	53.4	8
RT.	16+90	87.25	76	34.0	60	48	6	72	52	176	6	58.8	8
LT.	23+92	60	60	-	36	36	4	56	38	132	4	29.4	8
LT.	28+00	79.875	74	8.25	48	48	5	70	45	160	6	53.4	8
RT.	28+00	77.75	74	20.625	48	48	5	70	45	160	6	53.4	8

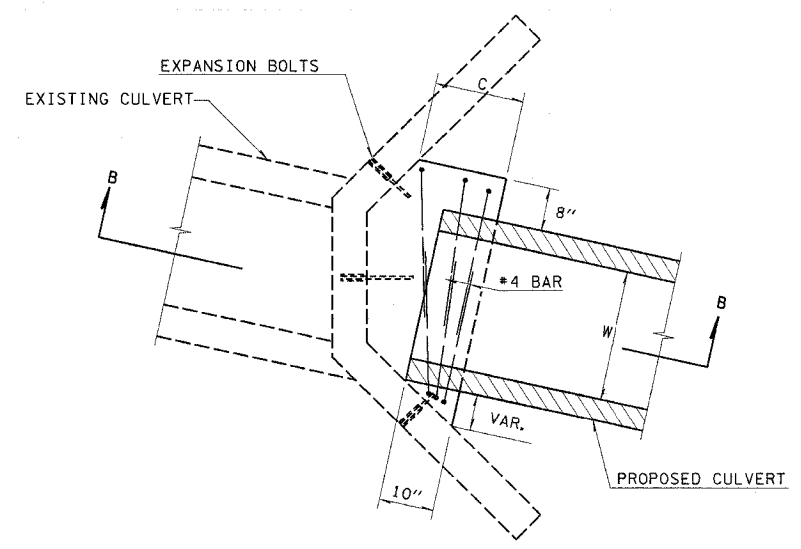
**DETAIL OF CONCRETE COLLAR FOR BOX CULVERT EXTENSIONS**



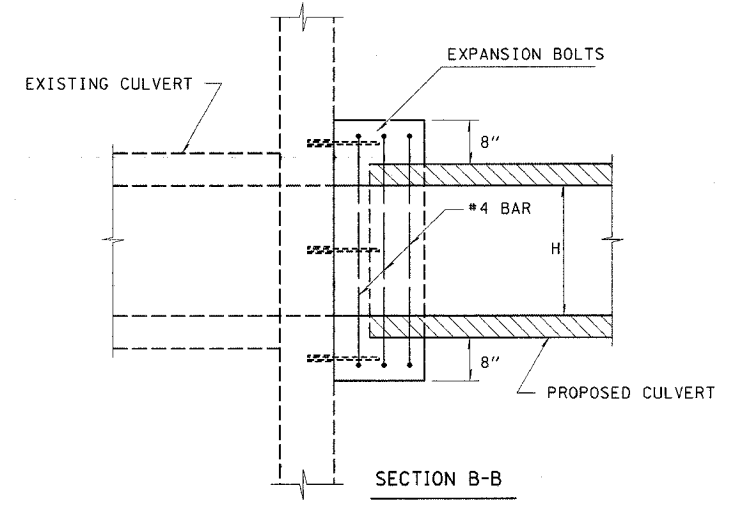
NOTE: EXPANSION BOLTS SHALL CONSIST OF SELF-DRILLING EXPANSION SHIELDS AND HOOKED BOLTS. HOOKED BOLTS SHALL EXTEND A MINIMUM OF 9" INTO THE NEW CONCRETE.



PLAN VIEW  
(RIGHT ANGLE CULVERT)



PLAN VIEW  
(SKEWED CULVERT)



SECTION B-B

REVISIONS	
NAME	DATE

ILLINOIS DEPARTMENT OF TRANSPORTATION  
**CULVERT COLLAR DETAIL**  
 SCALE: VERT. \_\_\_\_\_  
 HORIZ. \_\_\_\_\_  
 DATE \_\_\_\_\_ ISSUED: 05-03-96  
 DRAWN BY \_\_\_\_\_  
 CHECKED BY \_\_\_\_\_

c:\projects\94652d\02101pa.dgn  
 steffenk.r DATE