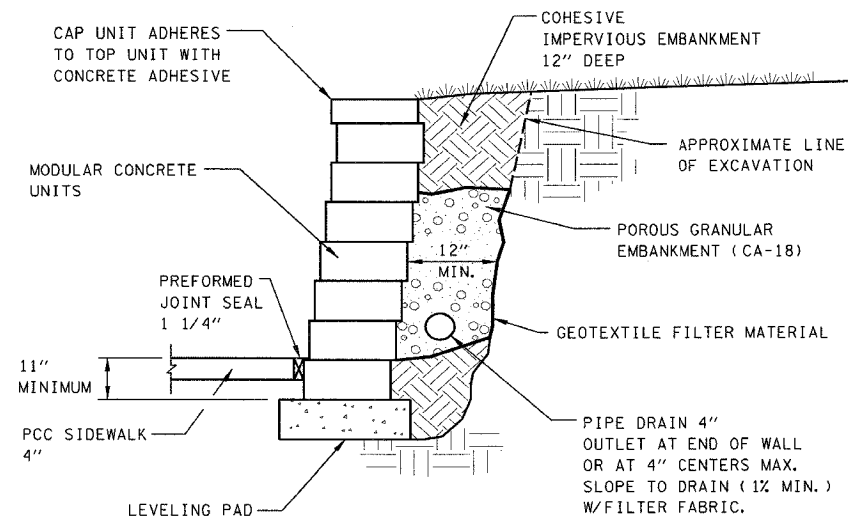


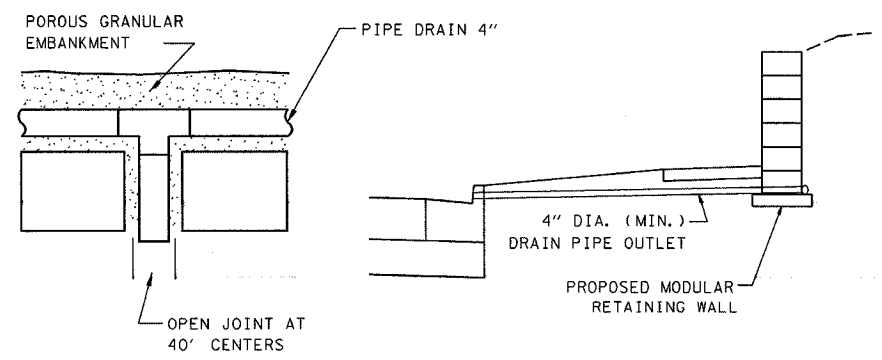
1/31/2005
 c:\projects\94652d\02101pa.dgn
 SUP REV: 05-04-98
 MOD 1

10 11 12 13 14 15 16 17 18
 19 20 21 22 23 24 25 26 27
 28 29 30 31 32 33 34 35
 36 37 38 39 40 41 42 43 44
 45 46 47 48 49 50 51 52 53 54
 55 56 57 58 59 60 61 62 63

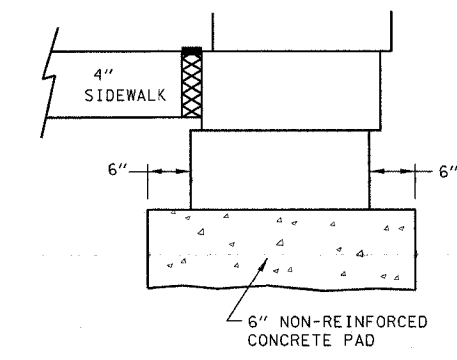
FAP NO.	SECTION	COUNTY	TOTAL SHEETS	SHEET NO.
332	(1012)W,RS	WHITE/EDWARDS	198	53
FED. ROAD DIST. NO. 7		MILES		FED. AID PROJECT NO.
CONTRACT NO. 94652				



TYPICAL SECTION-UNREINFORCED RETAINING WALL



PLAN SECTION
 DRAIN DETAIL



LEVELING PAD DETAIL

c:\projects\94652d\02101pa.dgn
 stef.fenmk\... DATE

REVISIONS	
NAME	DATE

ILLINOIS DEPARTMENT OF TRANSPORTATION
MODULAR RETAINING WALL DETAILS
 SCALE: VERT. _____
 HORIZ. _____
 DATE _____ DRAWN BY _____
 CHECKED BY _____