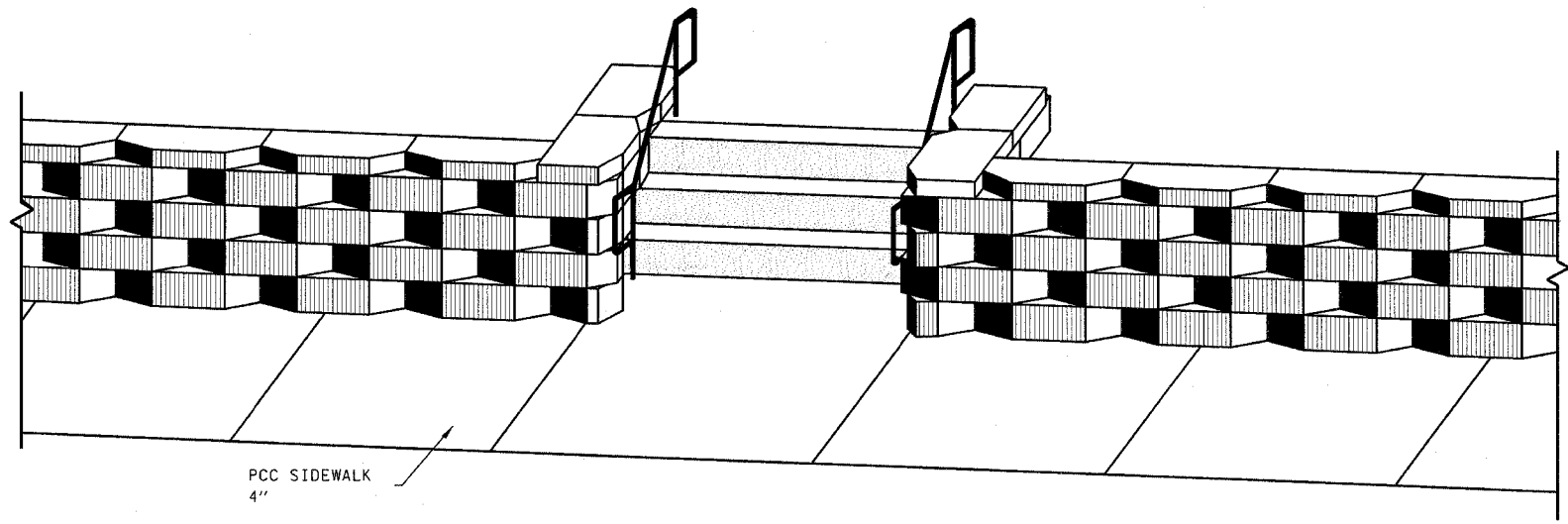


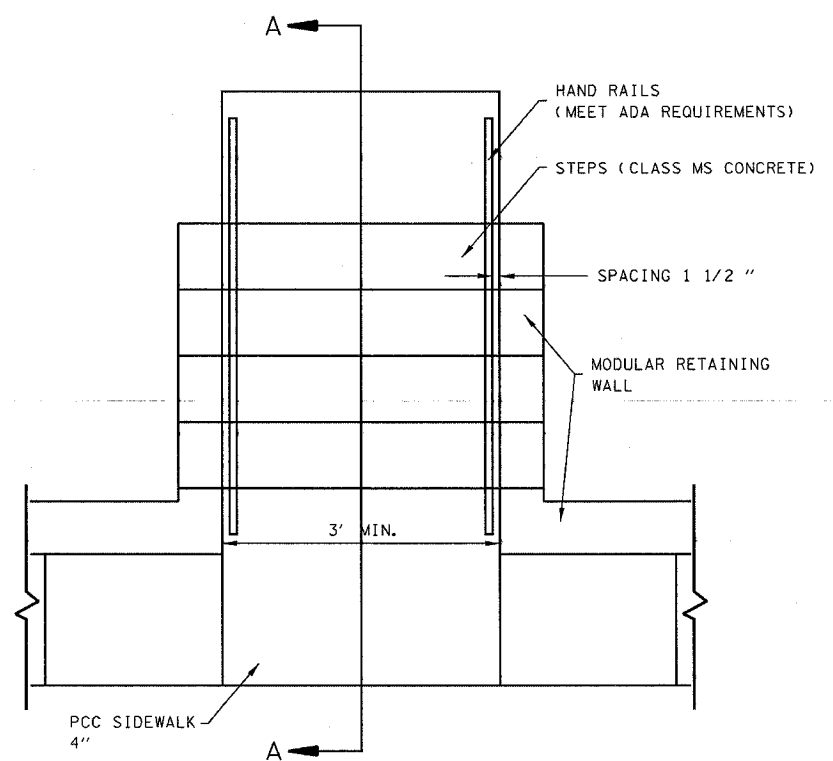
1 3 4 5 6 7 8 9 1/31/2005
 10 11 12 13 14 15 16 17 18 c:\projects\94652d\02101pa.dgn
 19 20 21 22 23 24 25 26 SUP REV: 05-04-98
 27 28 29 30 31 32 33 34
 35 36 37 38 39 40 41 42 43 44 45
 46 47 48 49 50 51 52 53 54
 55 56 57 58 59 60 61 62 63
MOD 2

FAP #/L	SECTION	COUNTY	TOTAL SHEETS	SHEET NO.
332	(101Z)W,RS	WHITE/EDWARDS	198	52
FED. ROAD DIST. NO. 7		ILLINOIS	FED. AID PROJECT NO.	

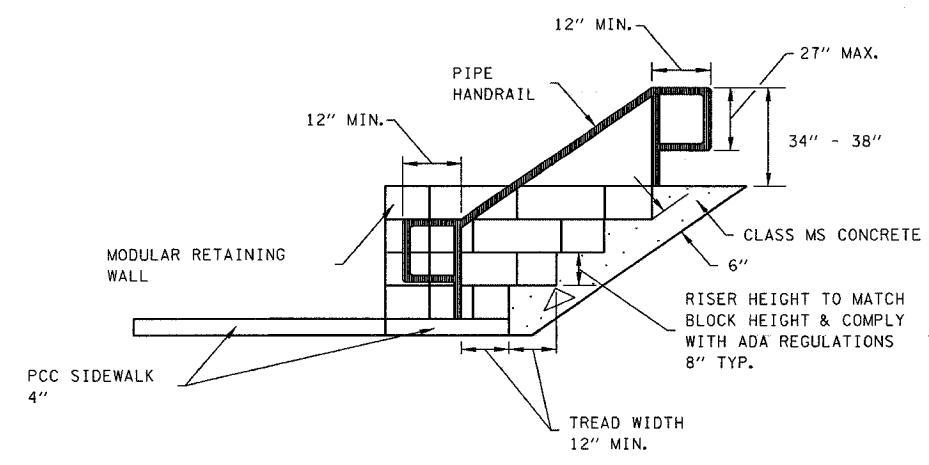
CONTRACT NO. 94652



INSTALLATION OF STAIRWAY



TYPICAL SECTION-STAIRWAY



SECTION A-A

REVISIONS	
NAME	DATE

ILLINOIS DEPARTMENT OF TRANSPORTATION

MODULAR RETAINING WALL DETAILS

SCALE: VERT. HORIZ.
 DATE DRAWN BY CHECKED BY

c:\projects\94652d\02101pa.dgn
 steffenk\j DATE