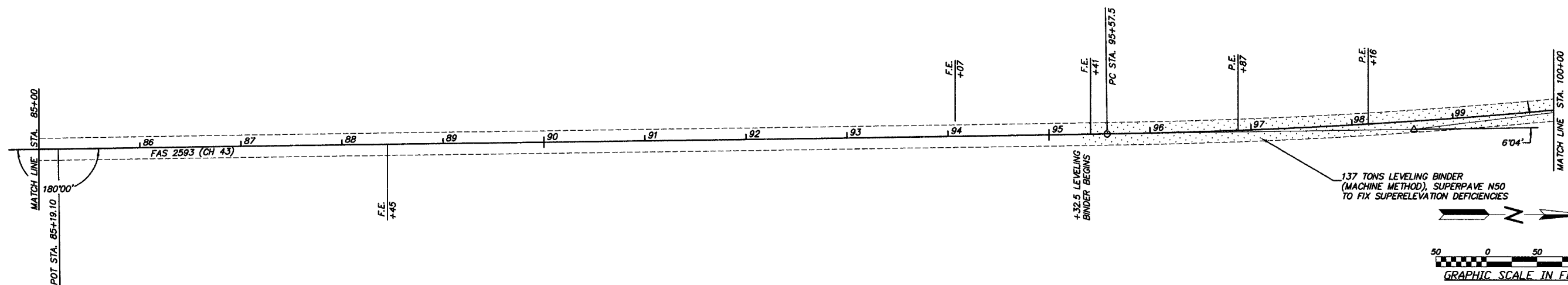
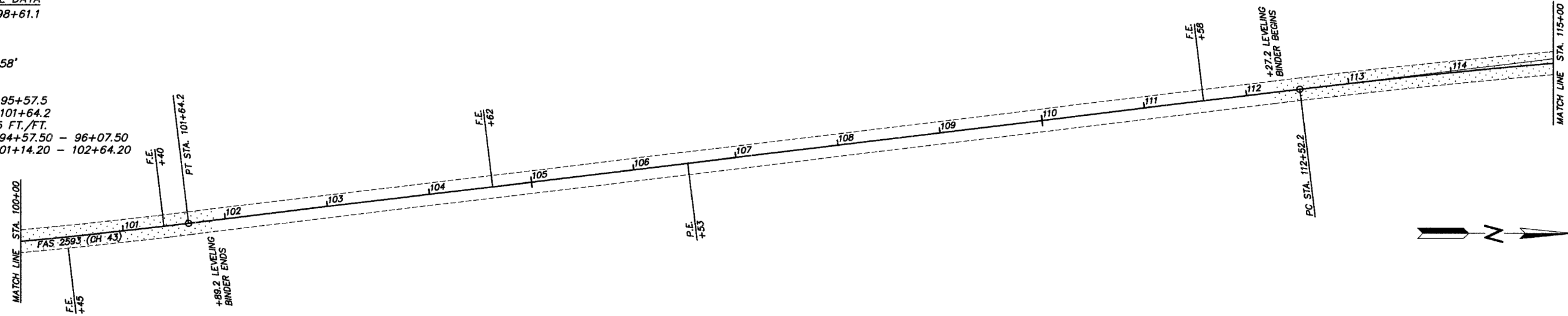


COUNTY	ROUTE	SECTION	TOTAL SHEETS	SHEET NO.
ADAMS	FAS 2593	05-00193-00-RS	12	6

STATION 85+00 TO STATION 130+00



**CURVE DATA**  
 PI STA. 98+61.1  
 $\Delta=6'04''$   
 $D=1'00''$   
 $T=303.6'$   
 $R=5,729.58'$   
 $L=606.7'$   
 $E=8.04'$   
 PC STA. 95+57.5  
 PT STA. 101+64.2  
 SE=0.025 FT./FT.  
 SE ATT. 94+57.50 - 96+07.50  
 101+14.20 - 102+64.20



148 TONS LEVELING BINDER  
 (MACHINE METHOD), SUPERPAVE N50  
 TO FIX SUPERELEVATION DEFICIENCIES

**CURVE DATA**  
 PI STA. 115+80.6  
 $\Delta=5'15''$   
 $D=0'48''$   
 $T=328.4'$   
 $R=7,161.98'$   
 $L=656.2'$   
 $E=7.50'$   
 PC STA. 112+52.2  
 PT STA. 119+08.4  
 SE=0.025 FT./FT.  
 SE ATT. 111+52.2 - 113+02.2  
 118+58.4 - 120+08.4

